



How to make measurements with Adobe Acrobat Reader in DAF chassis drawings.

(Acrobat Reader version 2017.012)

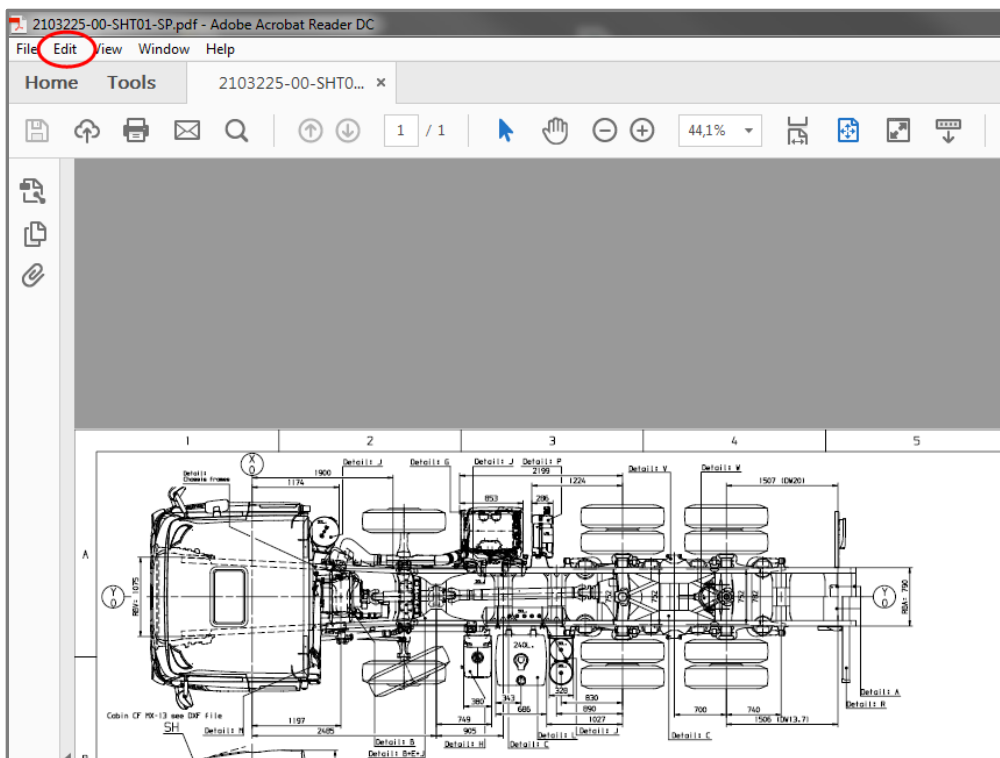
Learn to:

- Set the measuring unit on millimeters
- Enable the "Measure" toolbar in the Adobe Reader
- Set the Drawing Scale Ratio

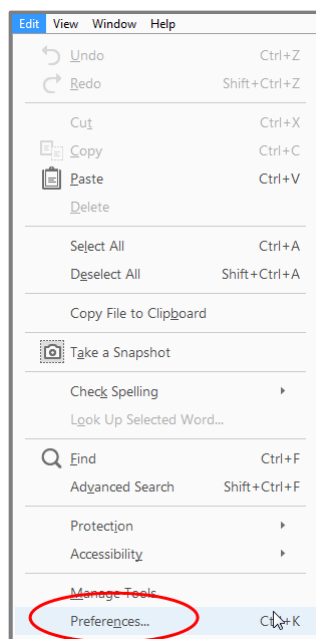
- **Set the measuring units to millimeters**

Before you start measuring the units, the settings of the Adobe Reader need to be set to millimeters. To do so, follow the 3 steps below:

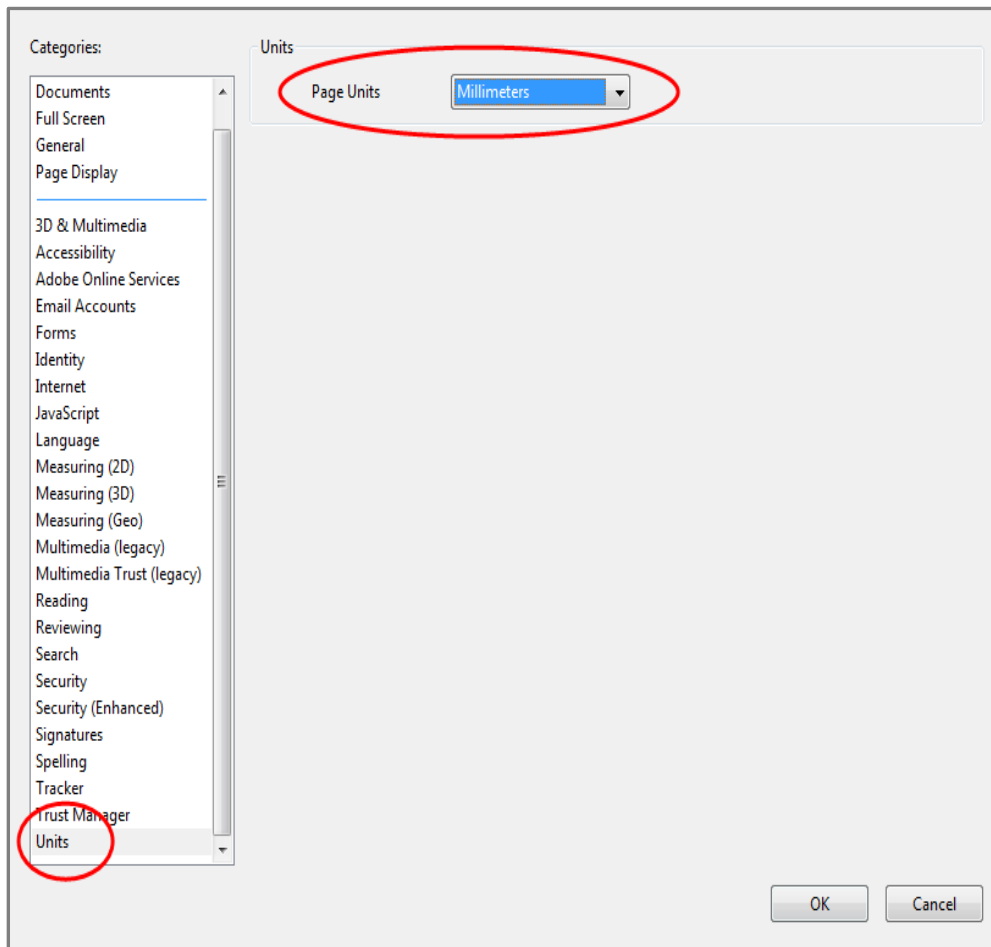
1. In the Adobe Reader screen, go to the top-menu bar item “Edit”



2. In the pulldown menu select “Preferences”



3. Select “Units” in the list and set the option to “Millimeters”.

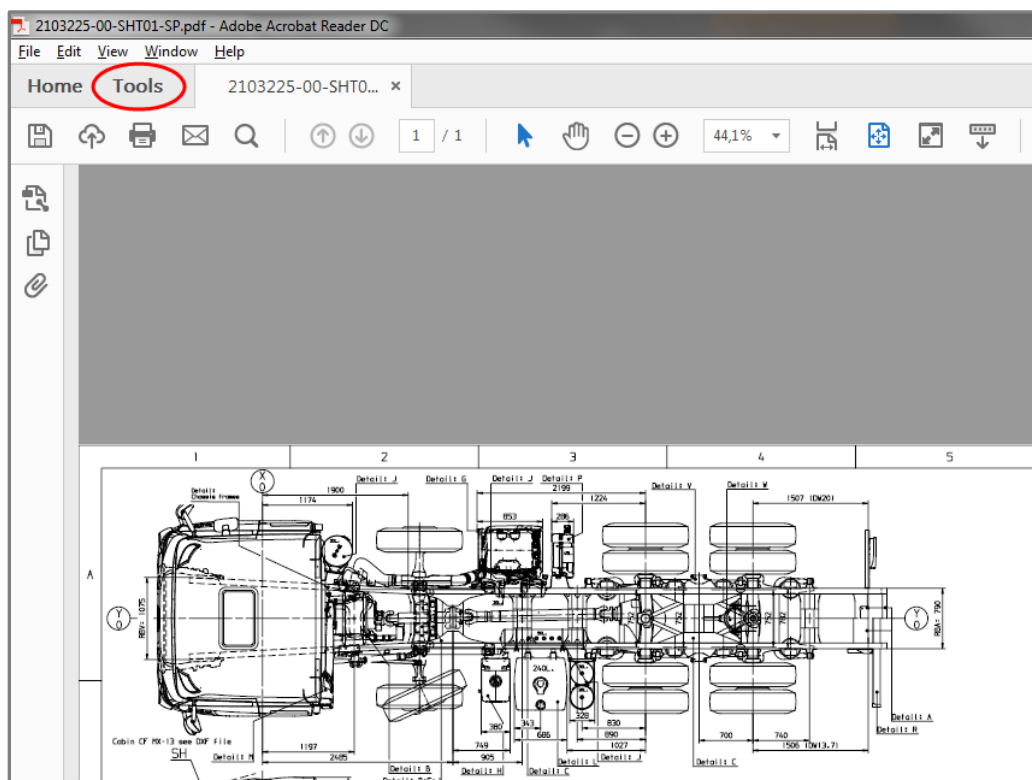


Mind: A restart of the Adobe Reader is needed for this change to take effect, but you will only have to change this setting once.

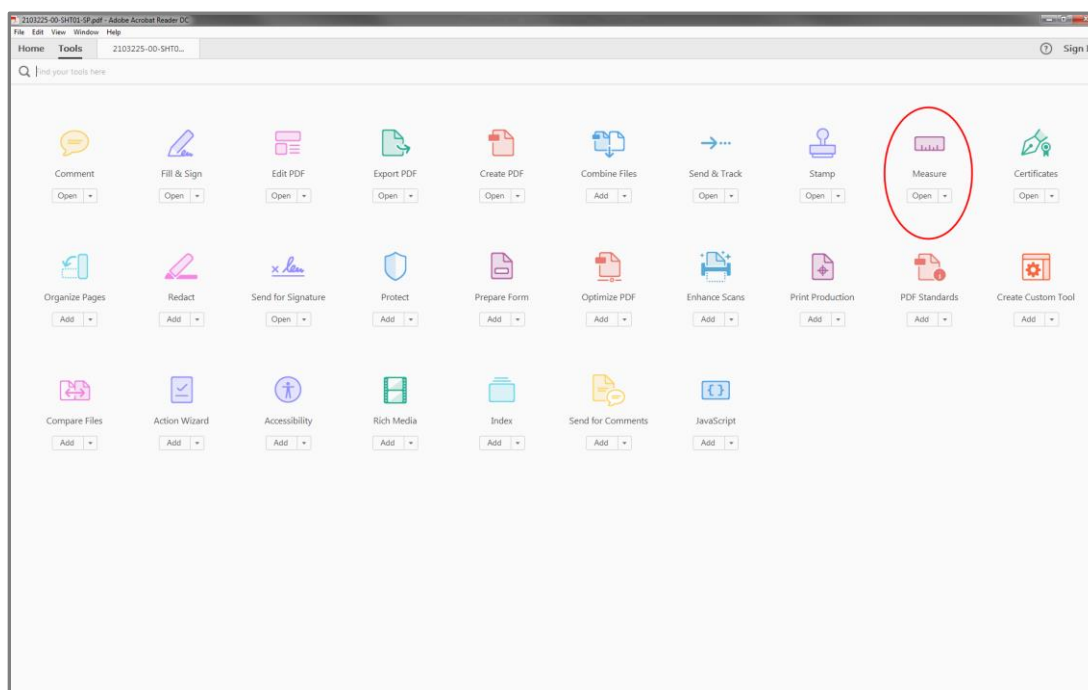
- **Enable the “Measure” toolbar in the Adobe Reader**

Next the 3 steps below need to be made to enable the Measuring tool.

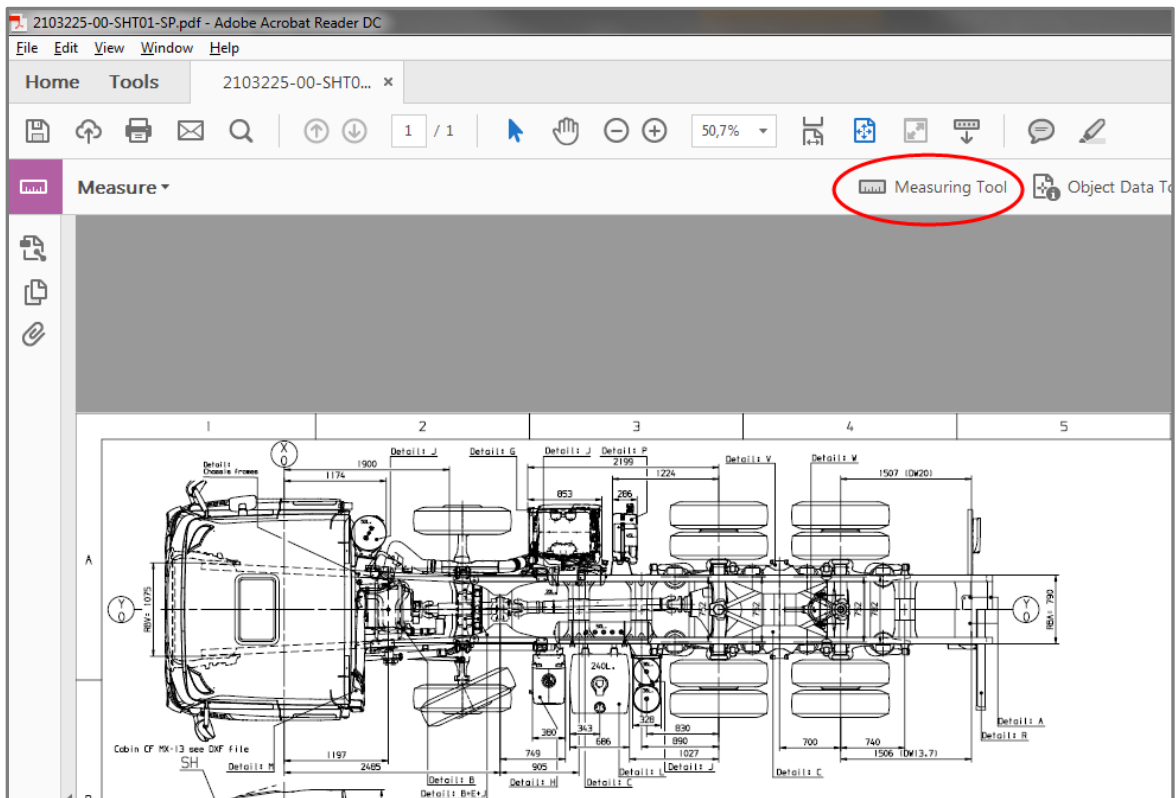
1. In the menu-bar select “Tools”.



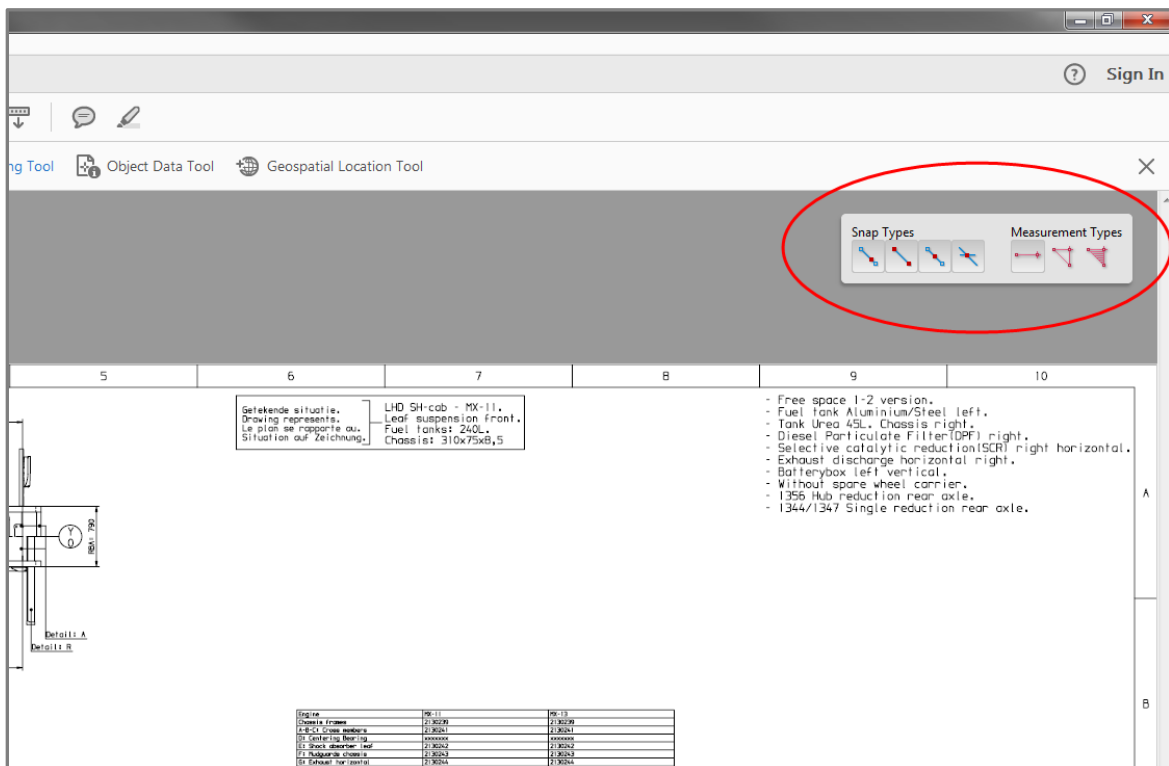
In the tool menu, find the tool named “Measure” and click on it.



In the menu bar the “Measuring Tool” activation button will appear



2. Clicking on this activation button will activate the tool and the measurement menu will appear.

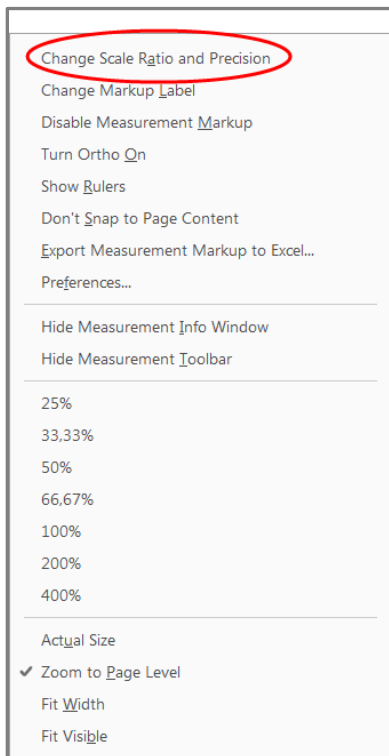


- **Set the Drawing Scale Ratio**

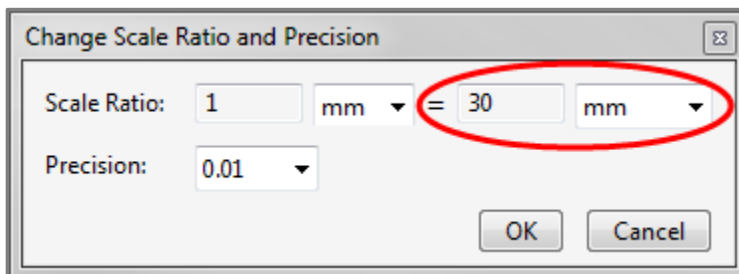
Mind: DAF drawings can have different scales! (e.g. 1/20 or 1/30)

To change the scale of the measurement tool, follow the 4 steps below.

1. When the measurement menu is active, right click anywhere on the drawing. In the menu that opens, select “Change Scale Ratio and Precision”



2. In the window that appears, enter the correct drawing scale.



Measurement examples

