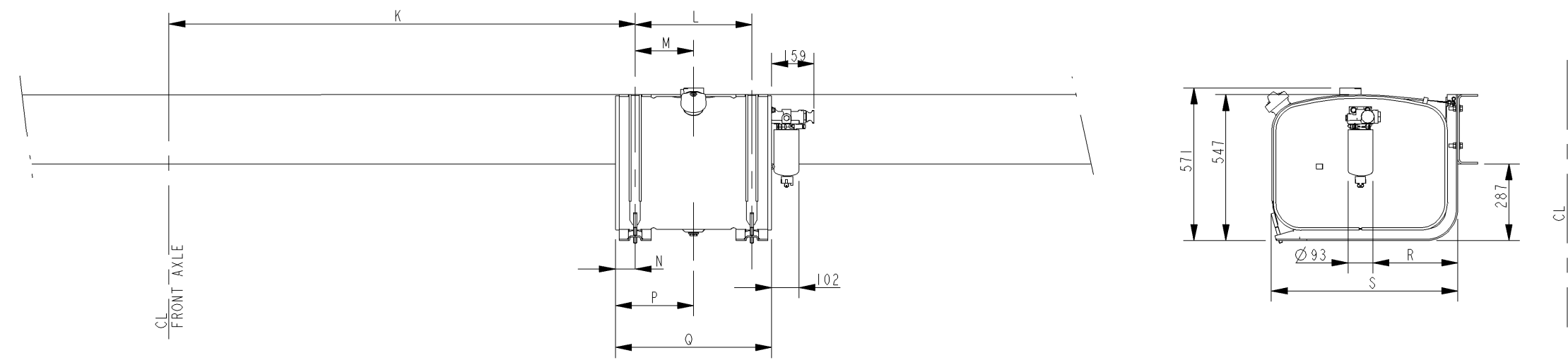


DETAIL 'L' STEEL FUEL TANK

DETAIL - 150 LITRE, 200 LITRE & 325 LITRE OIL TANKS



OIL TANKS POSITIONS FOR 26 LITRE UREA TANK

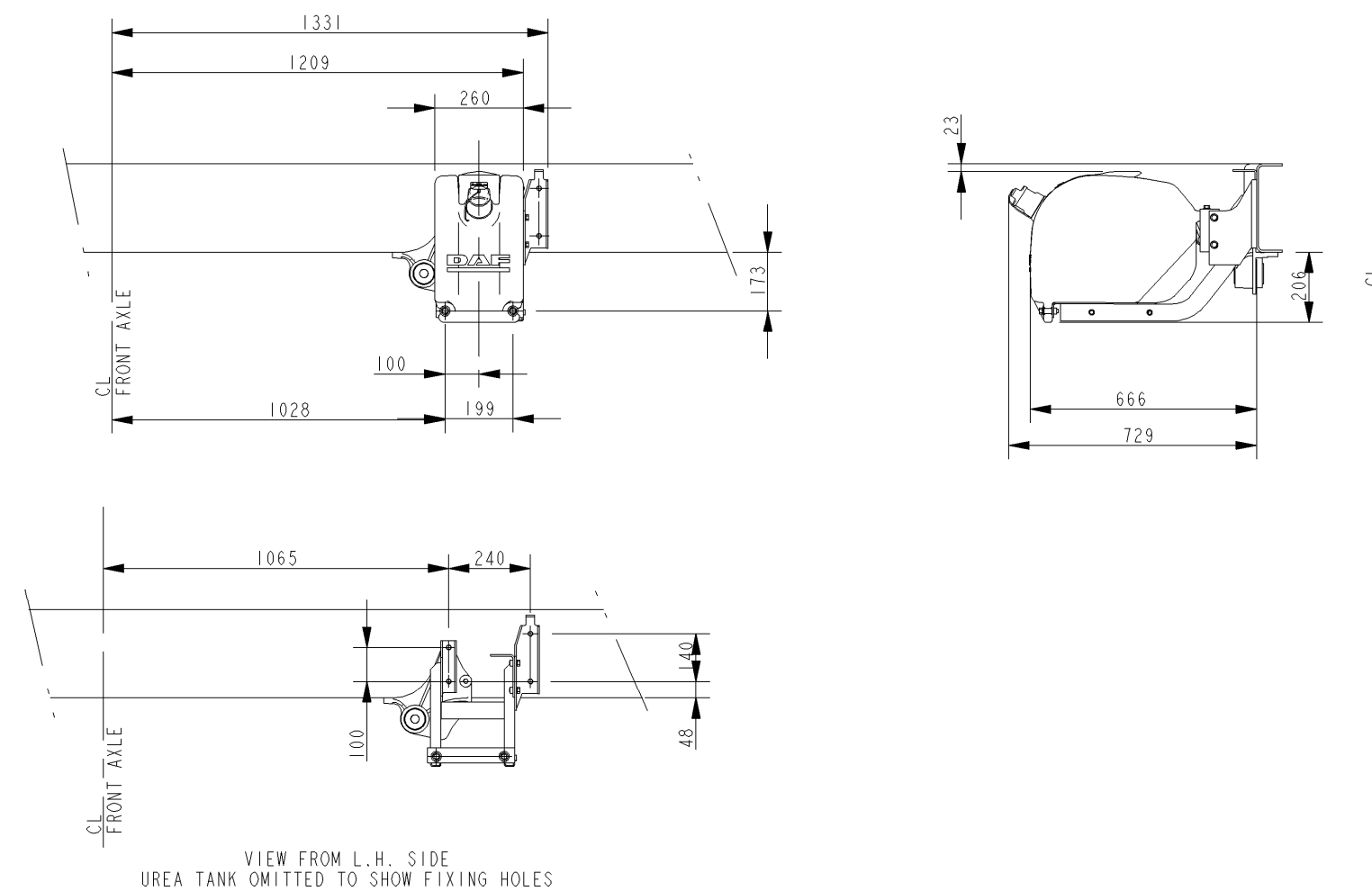
TANK CAPACITY	WHEEL BASE	EXHAUST DISCHARGE	DIM 'K'	DIM 'L'	DIM 'M'	DIM 'N'	DIM 'P'	DIM 'Q'	DIM 'R'	DIM 'S'
150 LITRE	UPTO 3500	CENTRE, LH (REAR OF TANK)	1562.5	437	219	74	293	585	318	698
150 LITRE	UPTO 3500	LH (FORWARD OF TANK), VERTICAL	1562.5	437	219	74	293	585	338	718
150 LITRE	ABOVE 3500	CENTRE, LH (REAR OF TANK)	1745.5	437	219	74	293	585	318	698
150 LITRE	ABOVE 3500	LH (FORWARD OF TANK), VERTICAL	1745.5	437	219	74	293	585	338	718
200 LITRE	UPTO 3500	CENTRE, LH (REAR OF TANK)	1562.5	437	219	159	488	755	318	698
200 LITRE	UPTO 3500	LH (FORWARD OF TANK), VERTICAL	1562.5	437	219	159	488	755	338	718
200 LITRE	ABOVE 3500	CENTRE, LH (REAR OF TANK)	1745.5	437	219	159	488	755	318	698
200 LITRE	ABOVE 3500	LH (FORWARD OF TANK), VERTICAL	1745.5	437	219	159	488	755	338	718
325 LITRE	ALL	CENTRE, LH (REAR OF TANK)	1562.5	620	310	273	693	1165	318	698
325 LITRE	ALL	LH (FORWARD OF TANK), VERTICAL	1562.5	620	310	273	693	1165	338	718

OIL TANKS POSITIONS FOR 70 LITRE UREA TANK

TANK CAPACITY	WHEEL BASE	EXHAUST DISCHARGE	DIM 'K'	DIM 'L'	DIM 'M'	DIM 'N'	DIM 'P'	DIM 'Q'	DIM 'R'	DIM 'S'
150 LITRE	ABOVE 3500	CENTRE, LH (REAR OF TANK)	1745.5	437	219	74	293	585	318	698
150 LITRE	ABOVE 3500	LH (FORWARD OF TANK), VERTICAL	1745.5	437	219	74	293	585	338	718
200 LITRE	ABOVE 3500	CENTRE, LH (REAR OF TANK)	1745.5	437	219	159	488	755	318	698
200 LITRE	ABOVE 3500	LH (FORWARD OF TANK), VERTICAL	1745.5	437	219	159	488	755	338	718
325 LITRE	4200 - 5350	CENTRE, LH (REAR OF TANK)	2182.5	620	310	273	693	1165	318	698
325 LITRE	4200 - 5350	LH (FORWARD OF TANK), VERTICAL	2182.5	620	310	273	693	1165	338	718
325 LITRE	5900 - 6300	CENTRE, LH (REAR OF TANK)	2272.5	620	310	273	693	1165	318	698
325 LITRE	5900 - 6300	LH (FORWARD OF TANK), VERTICAL	2272.5	620	310	273	693	1165	338	718

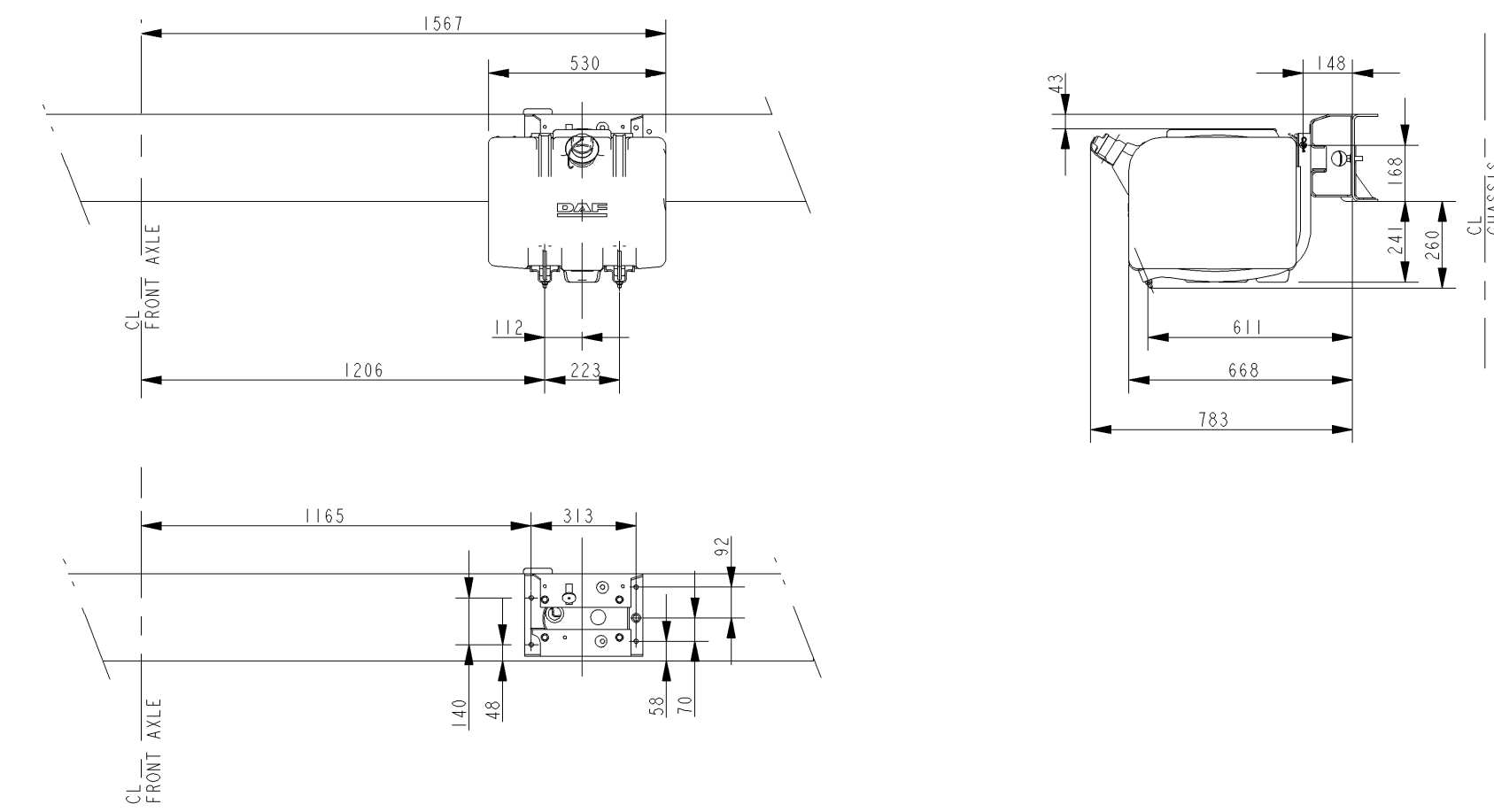
DETAIL 'P'

DETAIL - 26 LITRE UREA TANK



VIEW FROM L.H. SIDE
UREA TANK OMITTED TO SHOW FIXING HOLES

DETAIL - 70 LITRE UREA TANK



VIEW FROM L.H. SIDE
UREA TANK OMITTED TO SHOW FIXING HOLES

NOTES:

GEEN MATEN VAN TEKENING OPMETEN.
WIJZIGINGEN ZONDER VOORAFGAANDE KENNISGEVING VOORBEHOUDEN.
VOOR UITVOERING VAN HET VOERTUIG RAADPLEEG
MEN DE ORDERBEVESTIGING.

DO NOT SCALE DRAWING.
SUBJECT TO MODIFICATION WITHOUT PRIOR NOTICE.
PLEASE SEE NOTE FOR DEFINITIVE VEHICLE LAY-OUT.

NE RIEN RELEVER DU DESSIN.
SOUS RESERVE DE MODIFICATIONS SANS AVIS PREALABLE.
VEUILLEZ CONSULTER LE BON DE COMMANDE
POUR LE EQUIPEMENT DU VEHICULE CONCERNE

KEINE ZEICHNUNGSMASSE AUFMESSEN.
ÄNDERUNGEN OHNE VORANKÜNDIGUNG VORBEHALTEN.
DIE AUSFÜHRUNG DES BETREFFENDEN FAHRZEUGS
ENTNEHME MAN DER AUFTRAGSBESTÄTIGUNG.

Detail 'L' Fuel steel tank was Detail 'L' fuel tank, Add sheet no. 2 with Details of Composite Fuel tank, Fuel filter.	14/01/11	SK	AH	5711772	C
In title block Euro 4 is updated to Euro 4/5.	10/03/08	MKJ	BG	5700743	B
DETAIL FOR 70 LITRE UREA TANK ADDED TO DETAIL P. OIL TANK POSITIONS WITH 70 LITRE UREA TANK ADDED TO DETAIL L.	14/02/08	MKJ	BG	5700722	A
modification description	date	drawn by	auth by	mod.no.	issue

general tolerances	tolerance principle	title			
for drawing interpretation, see DAF standard.	material	DETAILS - L & P FA LF 55 Euro 4/5 12-15T			
surfaces/corners	heat/surface treatment				
authorised by	date	paint specification	third angle projection	This drawing is the property of DAF - Trucks N.V. Eindhoven, The Netherlands and may not be copied in whole or in part without the prior written consent of the owner.	
drawn by	date	prod.gp.spec.	spec. indicat.	drawing/issue number	
source	replacement for	replaced by	CAD Pro/ENGINEER		