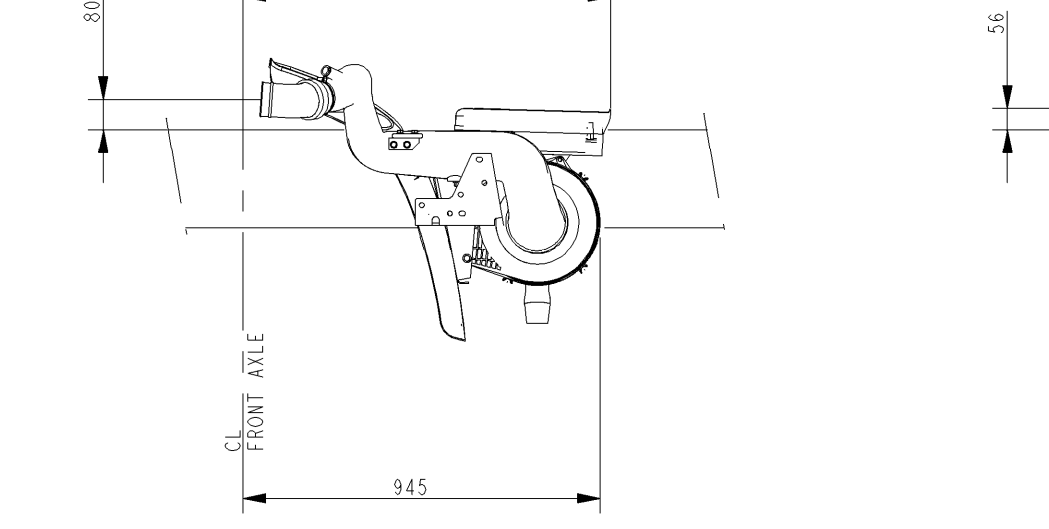
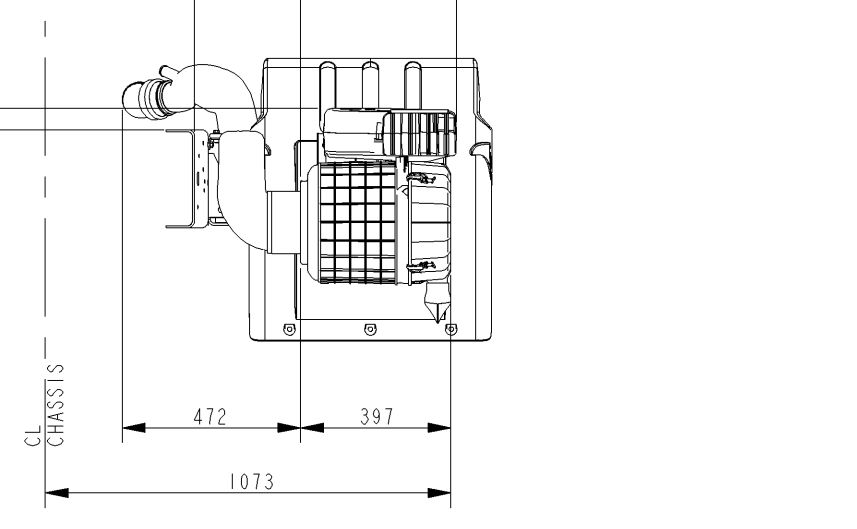


DETAIL 'M' AIR INTAKE SYSTEM

140PS, 160PS AND 185PS 4 CYLINDER ENGINES  
LOW LEVEL AIR INTAKE DAY CAB ONLY

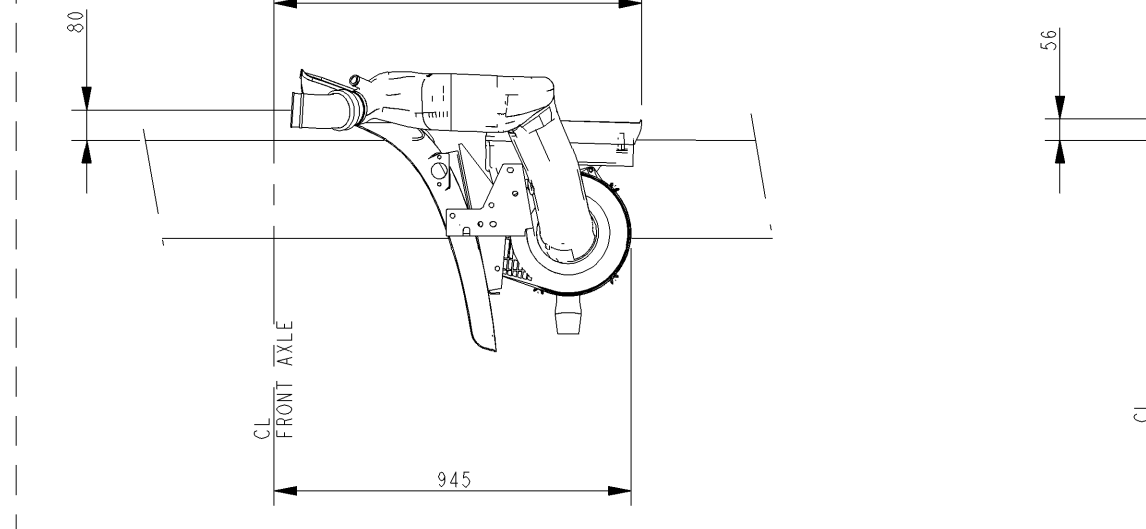


280 413

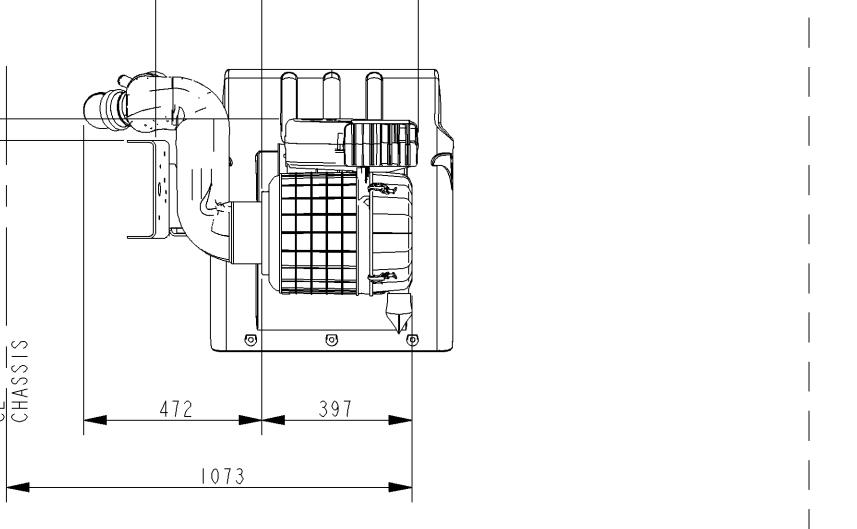


140PS, 160PS AND 185PS 4 CYLINDER ENGINES  
LOW LEVEL AIR INTAKE SLEEPER CAB ONLY

140PS, 160PS AND 185PS 4 CYLINDER ENGINES  
HIGH LEVEL AIR INTAKE DAY CAB ONLY

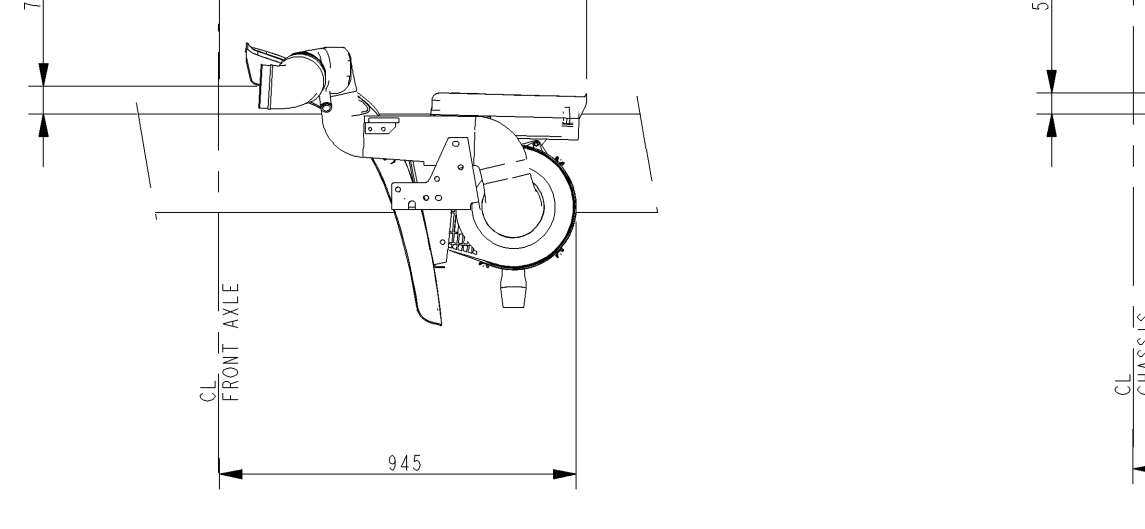


280 413

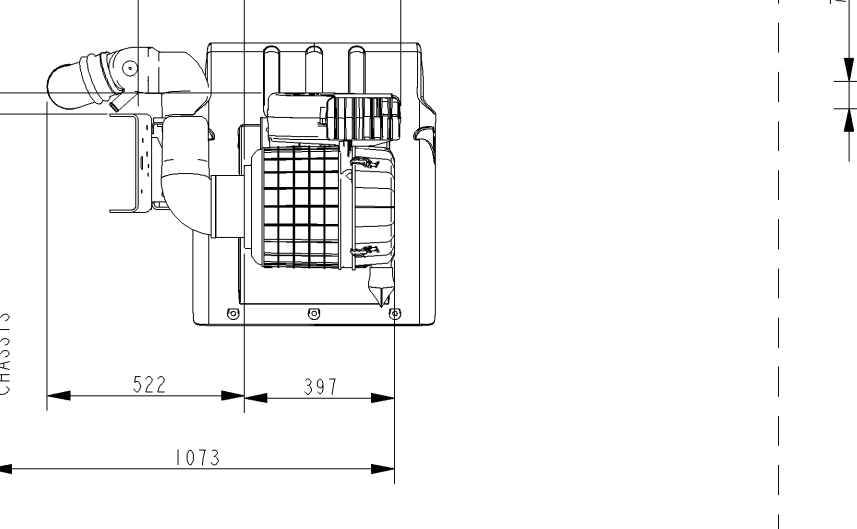


225PS, 250PS AND 285PS 6 CYLINDER ENGINES  
LOW LEVEL AIR INTAKE DAY CAB ONLY

225PS, 250PS AND 285PS 6 CYLINDER ENGINES  
HIGH LEVEL AIR INTAKE DAY CAB ONLY

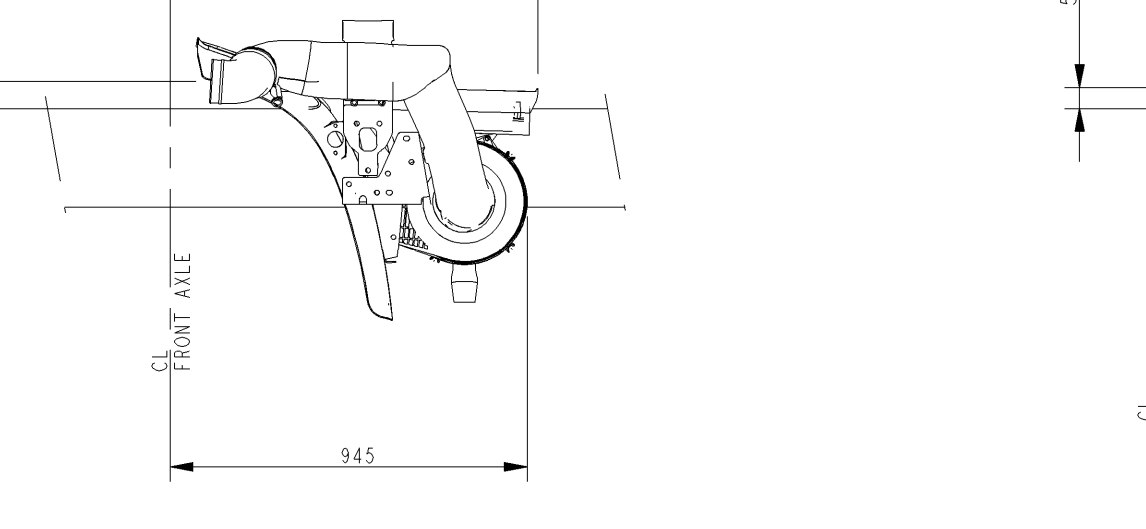


280 413

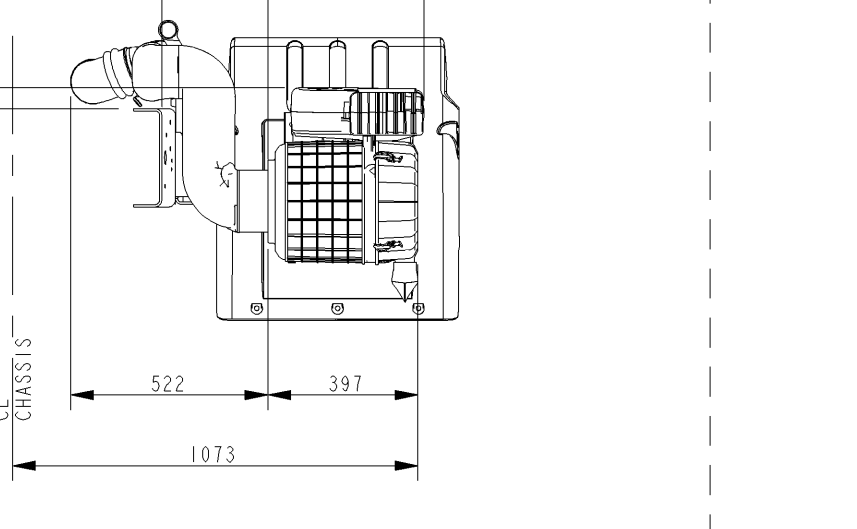


225PS, 250PS AND 285PS 6 CYLINDER ENGINES  
LOW LEVEL AIR INTAKE SLEEPER CAB ONLY

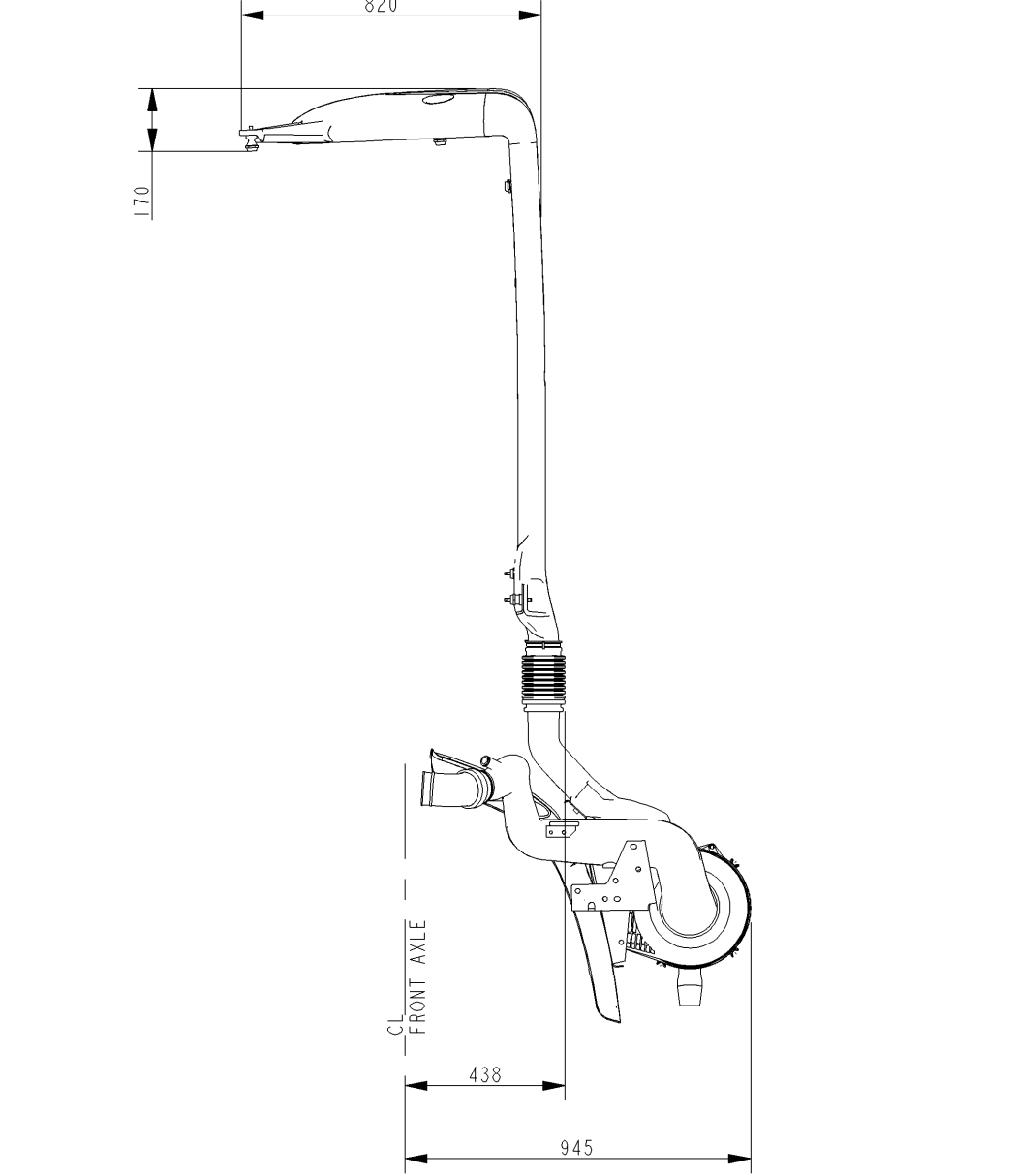
225PS, 250PS AND 285PS 6 CYLINDER ENGINES  
HIGH LEVEL AIR INTAKE SLEEPER CAB ONLY



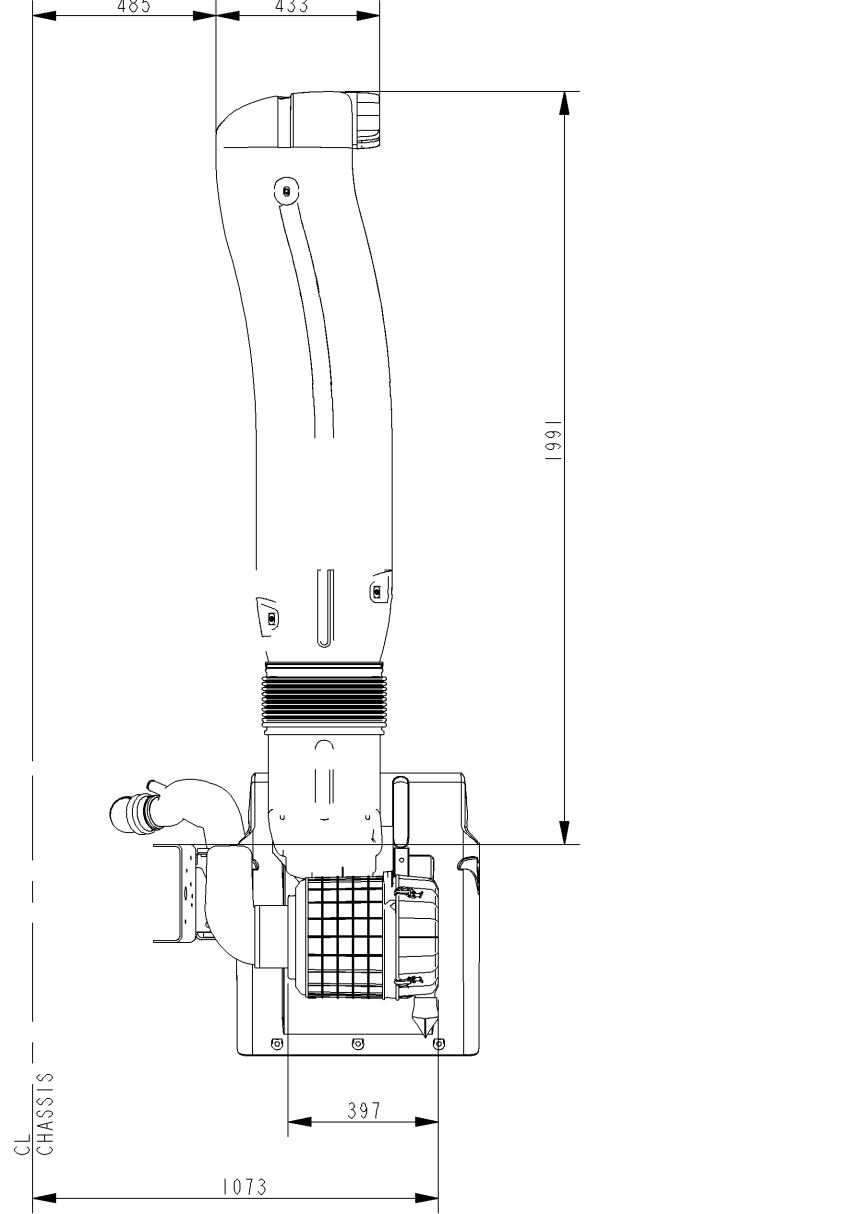
280 413



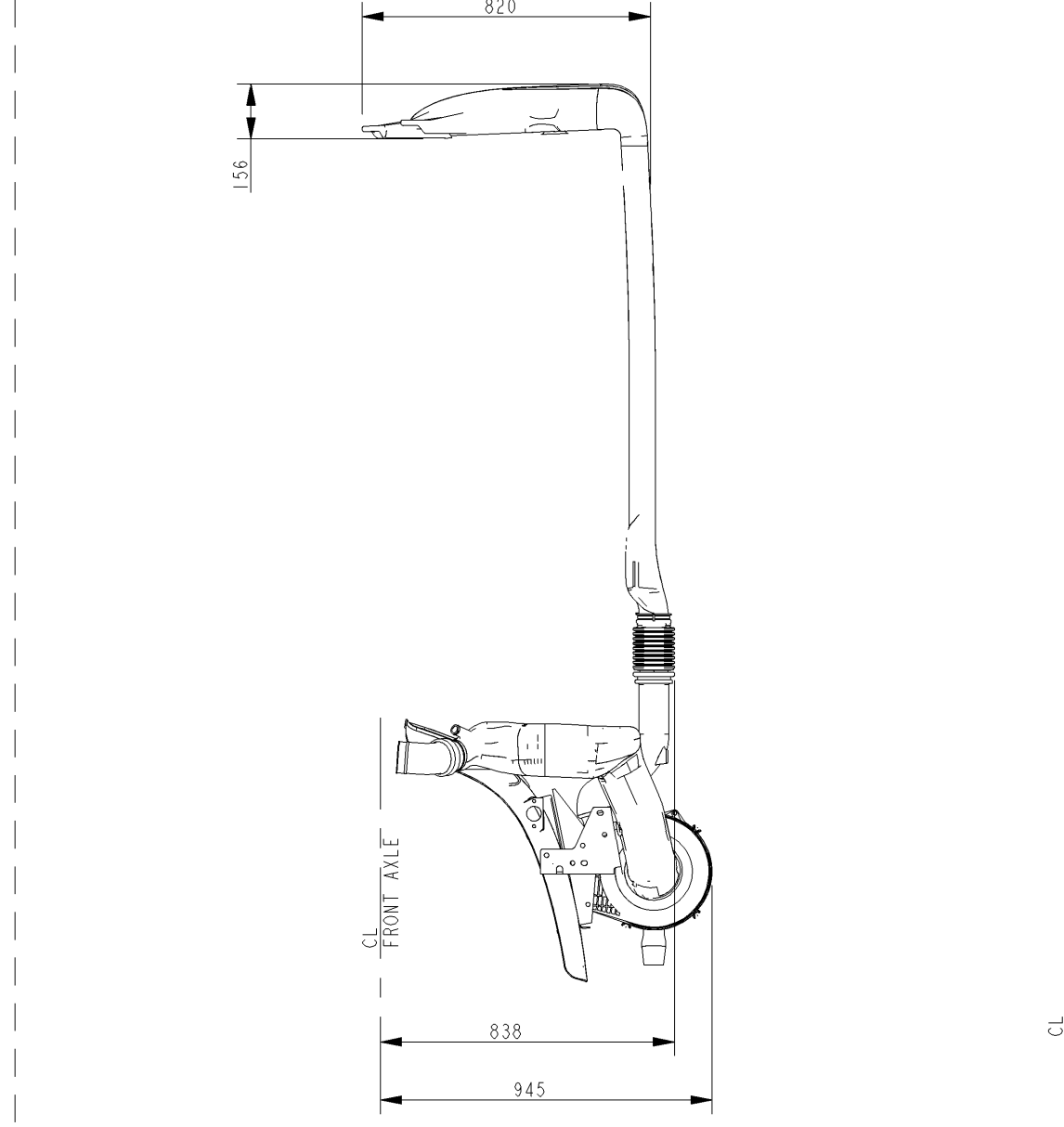
140PS, 160PS AND 185PS 4 CYLINDER ENGINES  
HIGH LEVEL AIR INTAKE DAY CAB ONLY



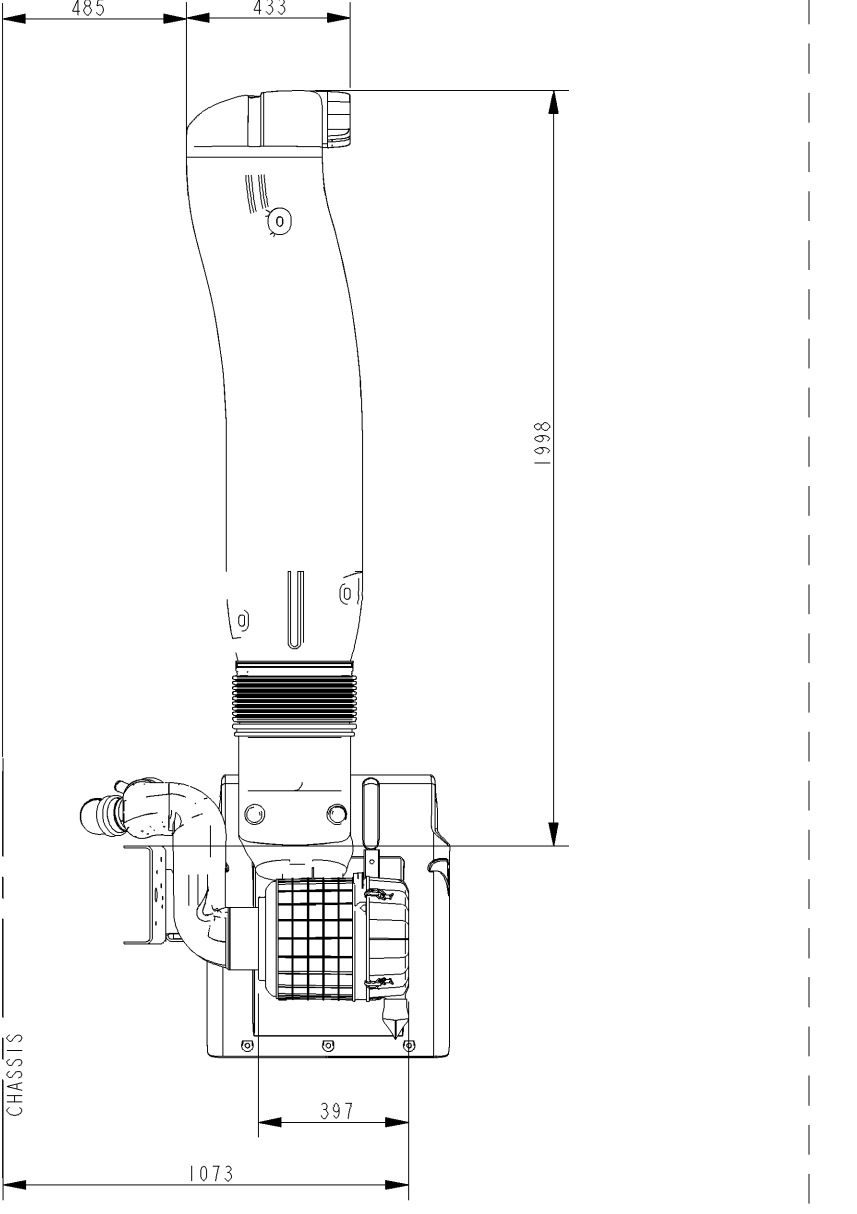
140PS, 160PS AND 185PS 4 CYLINDER ENGINES  
HIGH LEVEL AIR INTAKE SLEEPER CAB ONLY



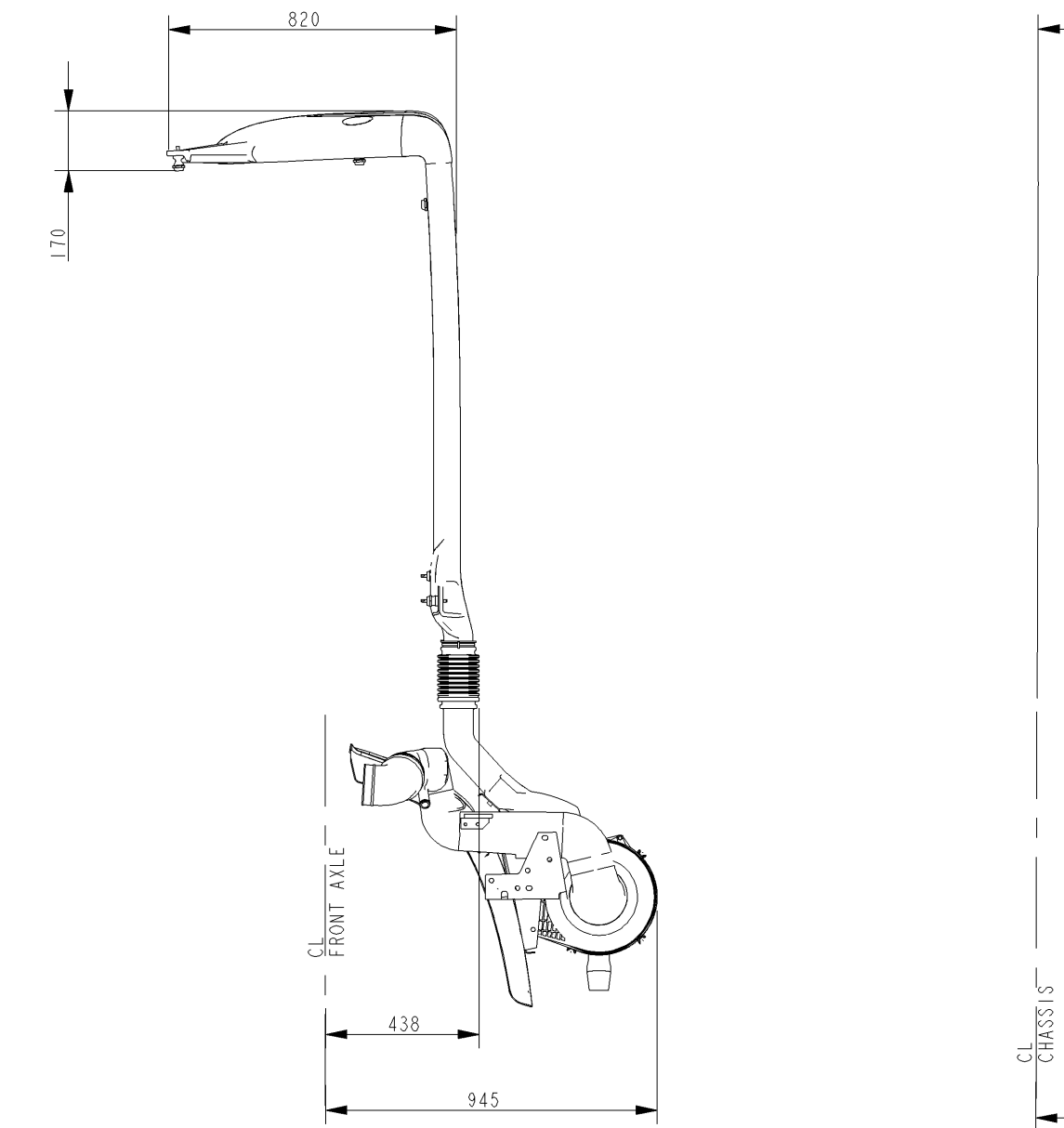
140PS, 160PS AND 185PS 4 CYLINDER ENGINES  
HIGH LEVEL AIR INTAKE SLEEPER CAB ONLY



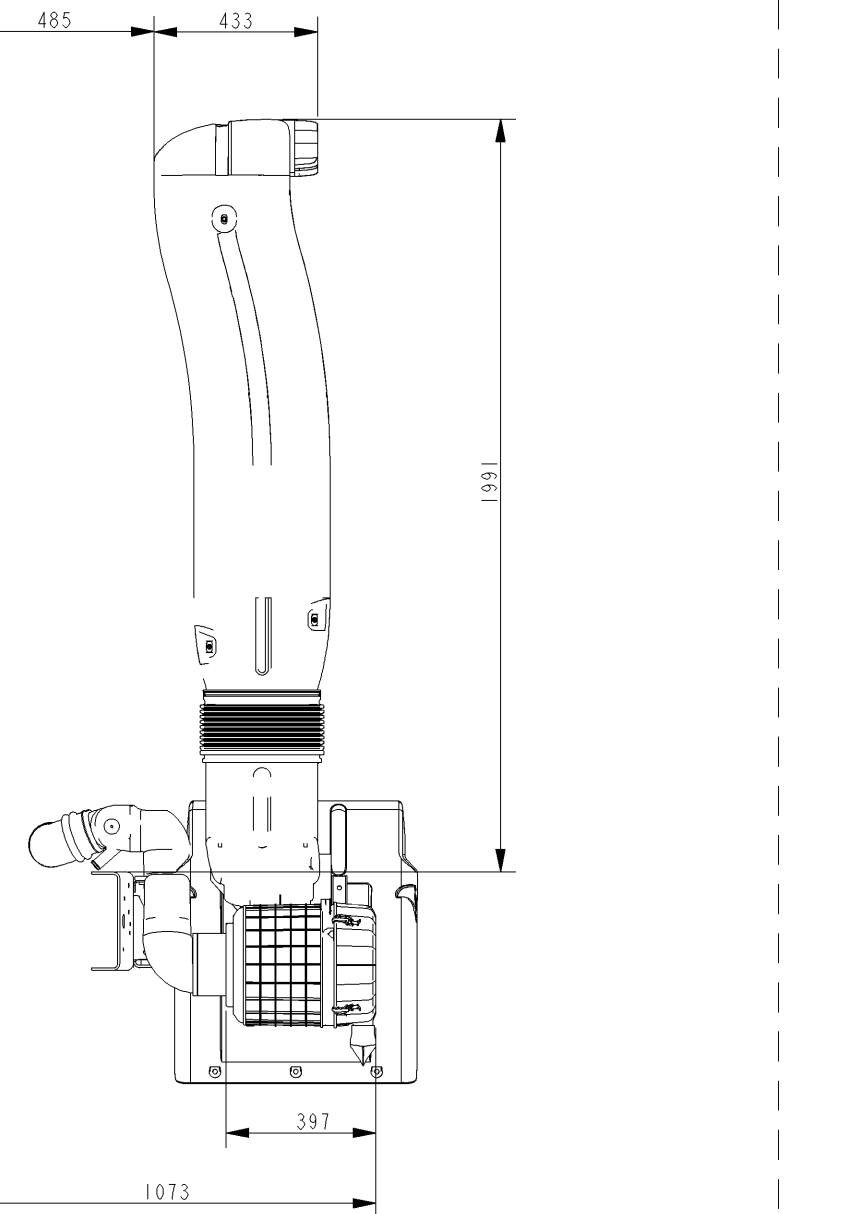
140PS, 160PS AND 185PS 4 CYLINDER ENGINES  
HIGH LEVEL AIR INTAKE SLEEPER CAB ONLY



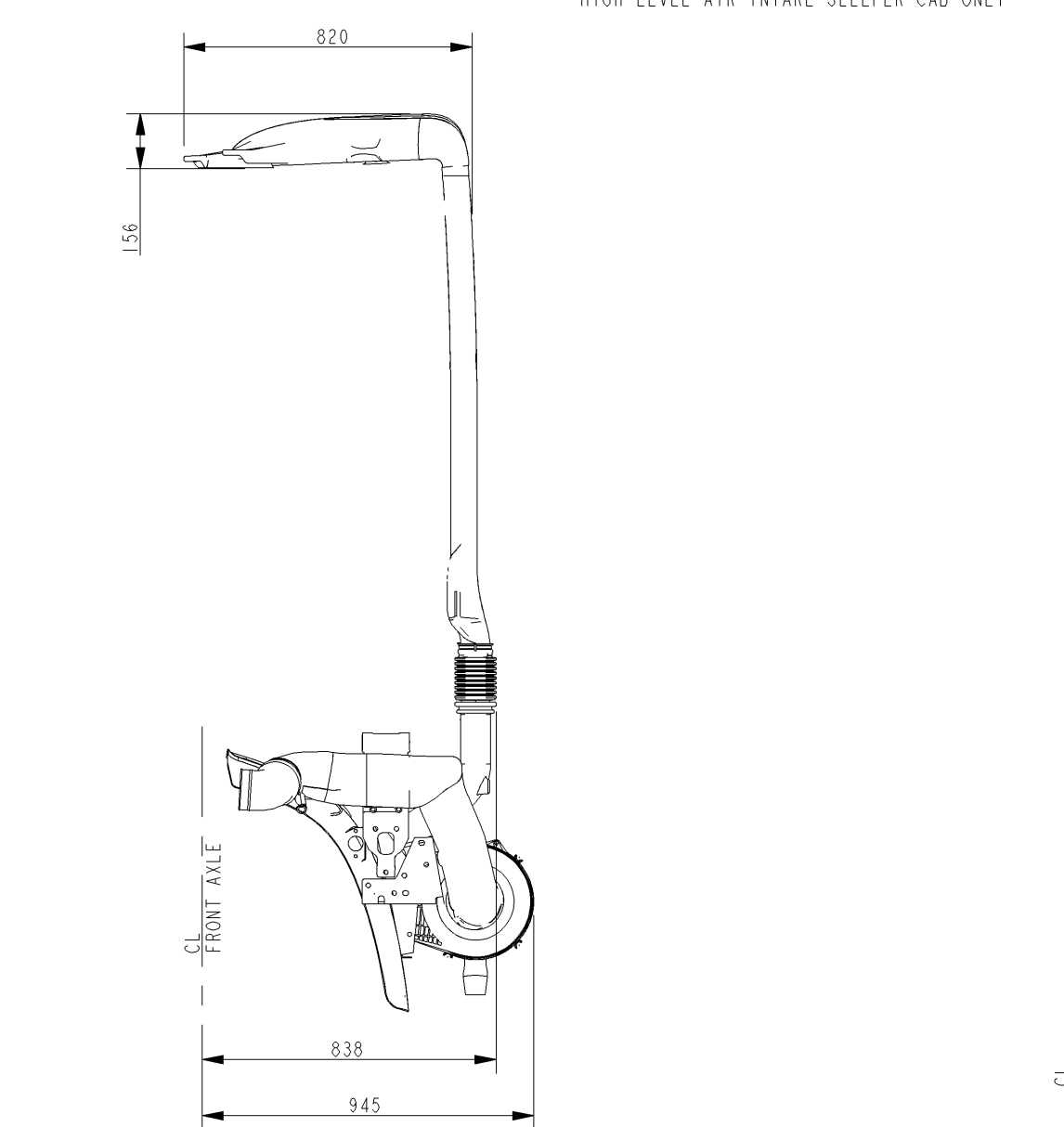
225PS, 250PS AND 285PS 6 CYLINDER ENGINES  
HIGH LEVEL AIR INTAKE DAY CAB ONLY



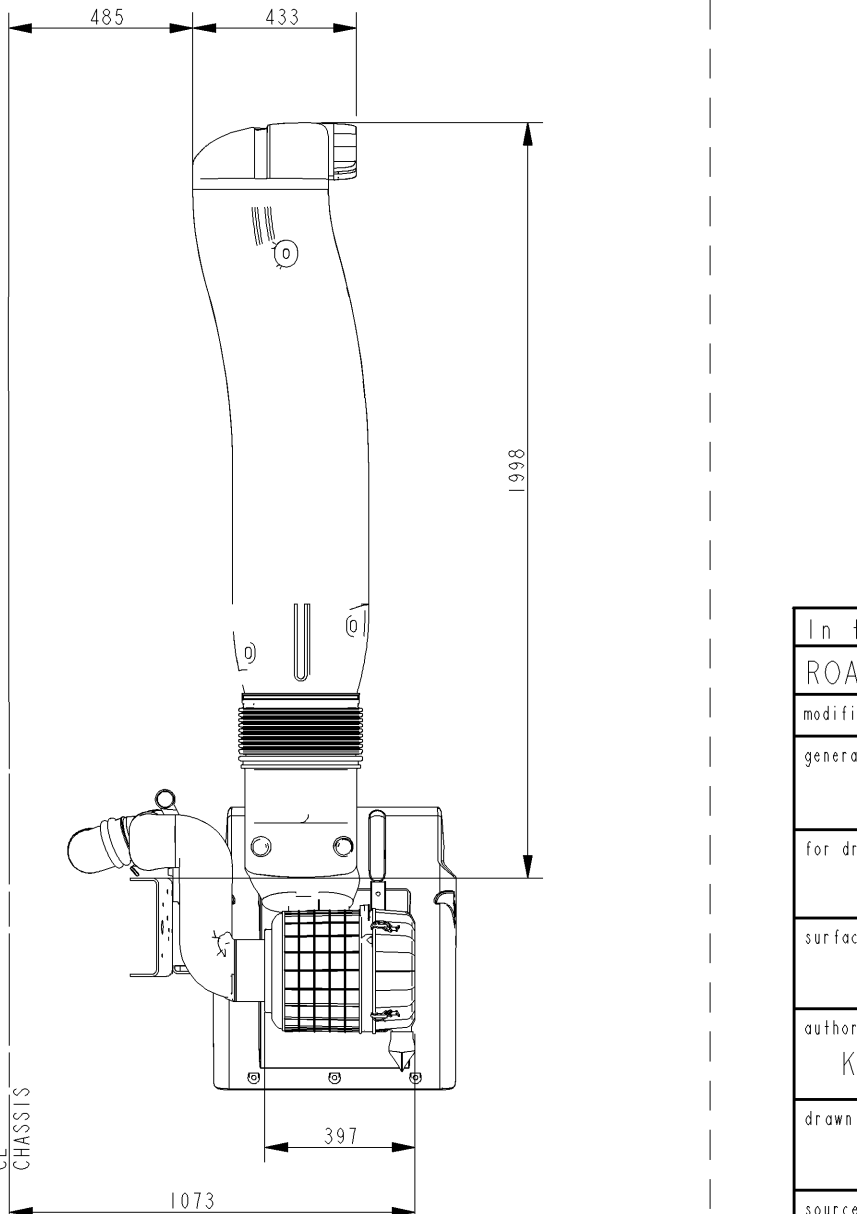
225PS, 250PS AND 285PS 6 CYLINDER ENGINES  
HIGH LEVEL AIR INTAKE SLEEPER CAB ONLY



225PS, 250PS AND 285PS 6 CYLINDER ENGINES  
HIGH LEVEL AIR INTAKE SLEEPER CAB ONLY



225PS, 250PS AND 285PS 6 CYLINDER ENGINES  
HIGH LEVEL AIR INTAKE SLEEPER CAB ONLY



In title block Euro 4 is updated to Euro 4/5.		10/03/08	MKJ	BG	5700743	B
ROADSWEEPER DETAILS ADDED IN SHEET 2		13/02/08	MKJ	BG	5700722	A
modification description		date	drawn by	auth by	mod.no.	issue
general tolerances	tolerance principle	title				
for drawing interpretation, see DAF standard.	material	<b>DETAIL - M</b> <b>FA LF 55 Euro 4/5 12-15T</b>				
surfaces/corners	heat/surface treatment					
authorised by	date	paint specification	third angle projection	size	scale	sheet
KJ WILLIAMS				SP	1:20	1 of 2
drawn by	date	prod.gp.spec.	spec. indicat.	This drawing is the property of DAF - Trucks N.V. Eindhoven, The Netherlands and may not be copied in whole or in part without the prior written consent of the owner. drawing/issue number <b>NSEA325/B</b>		
MK JOSHI	28/07/06					
source	replacement for	replaced by		CAD Pro/ENGINEER		