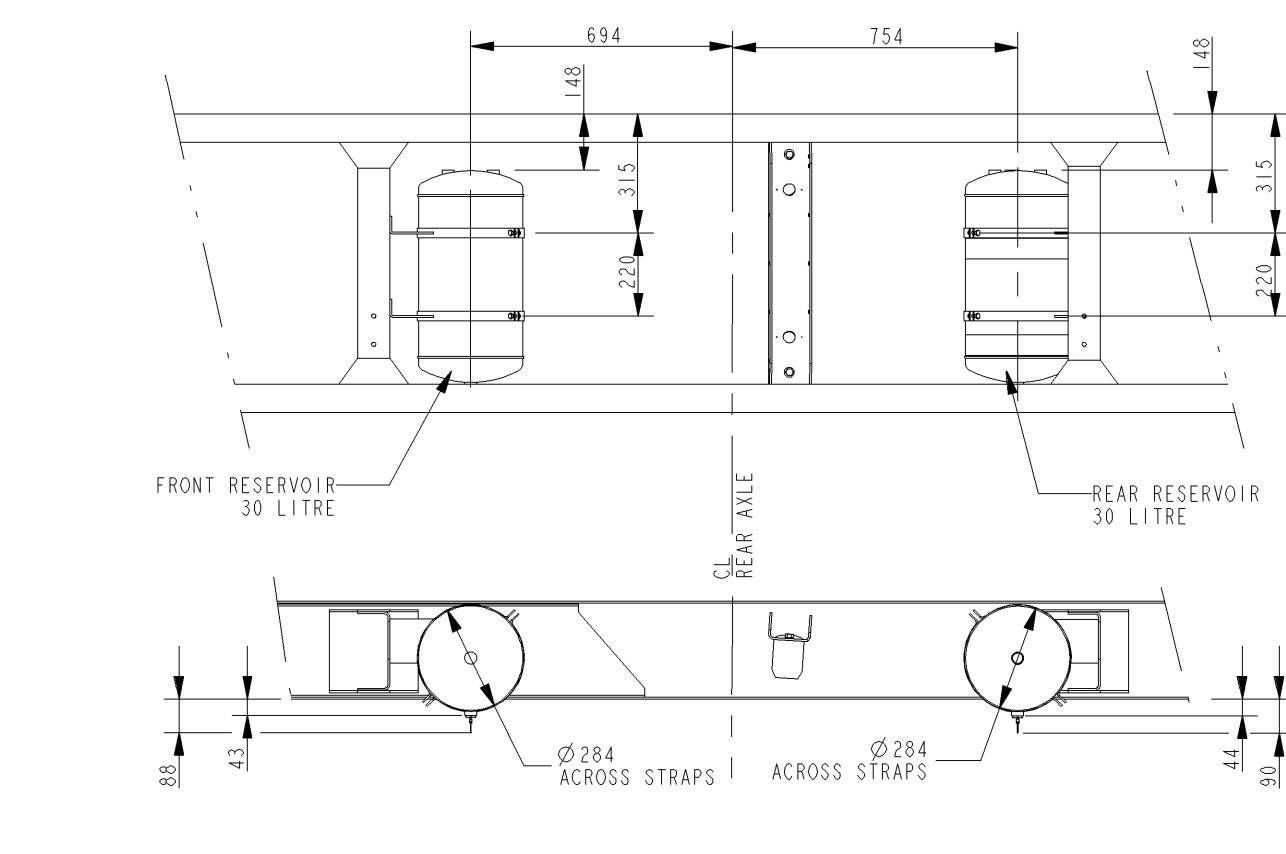
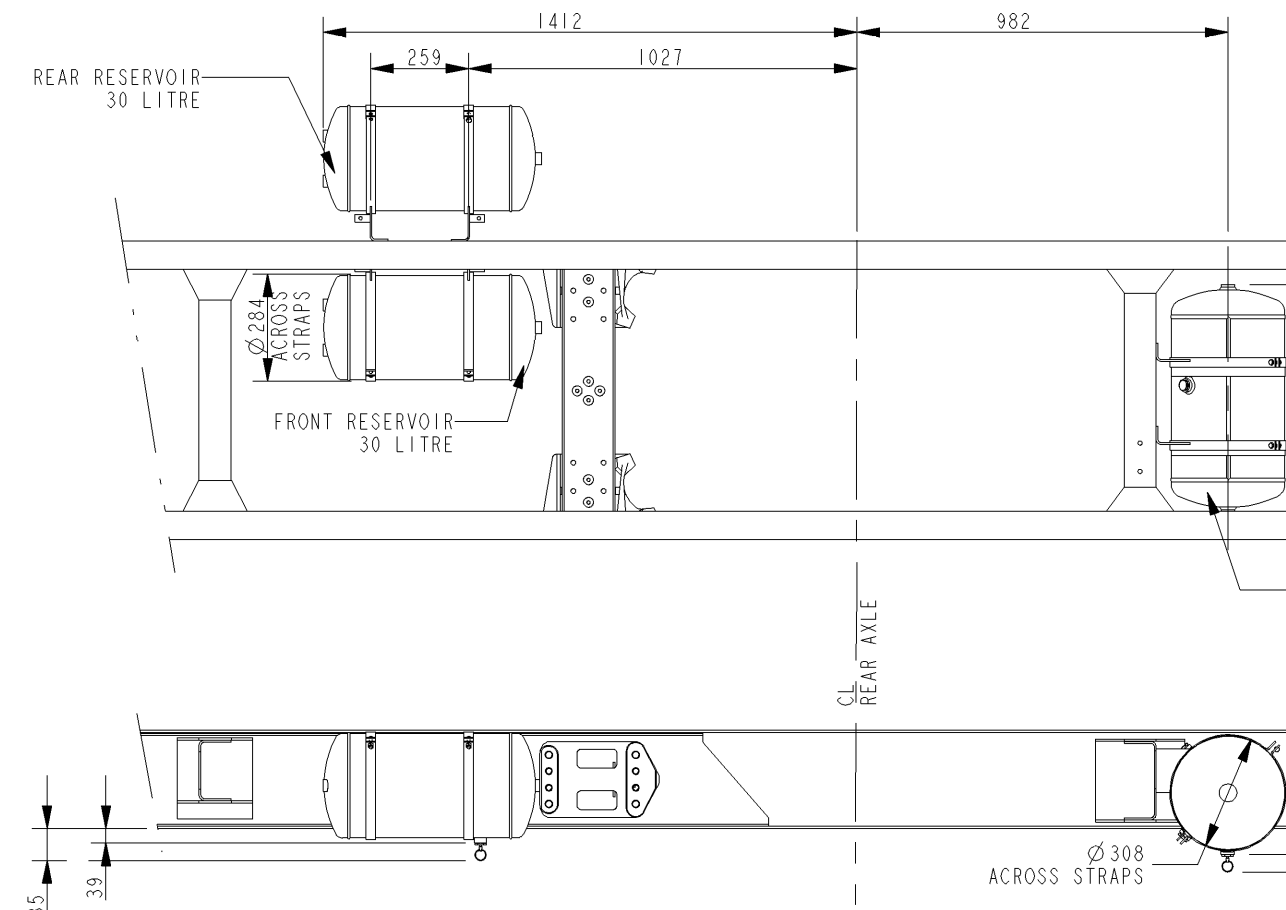


DETAIL 'J'

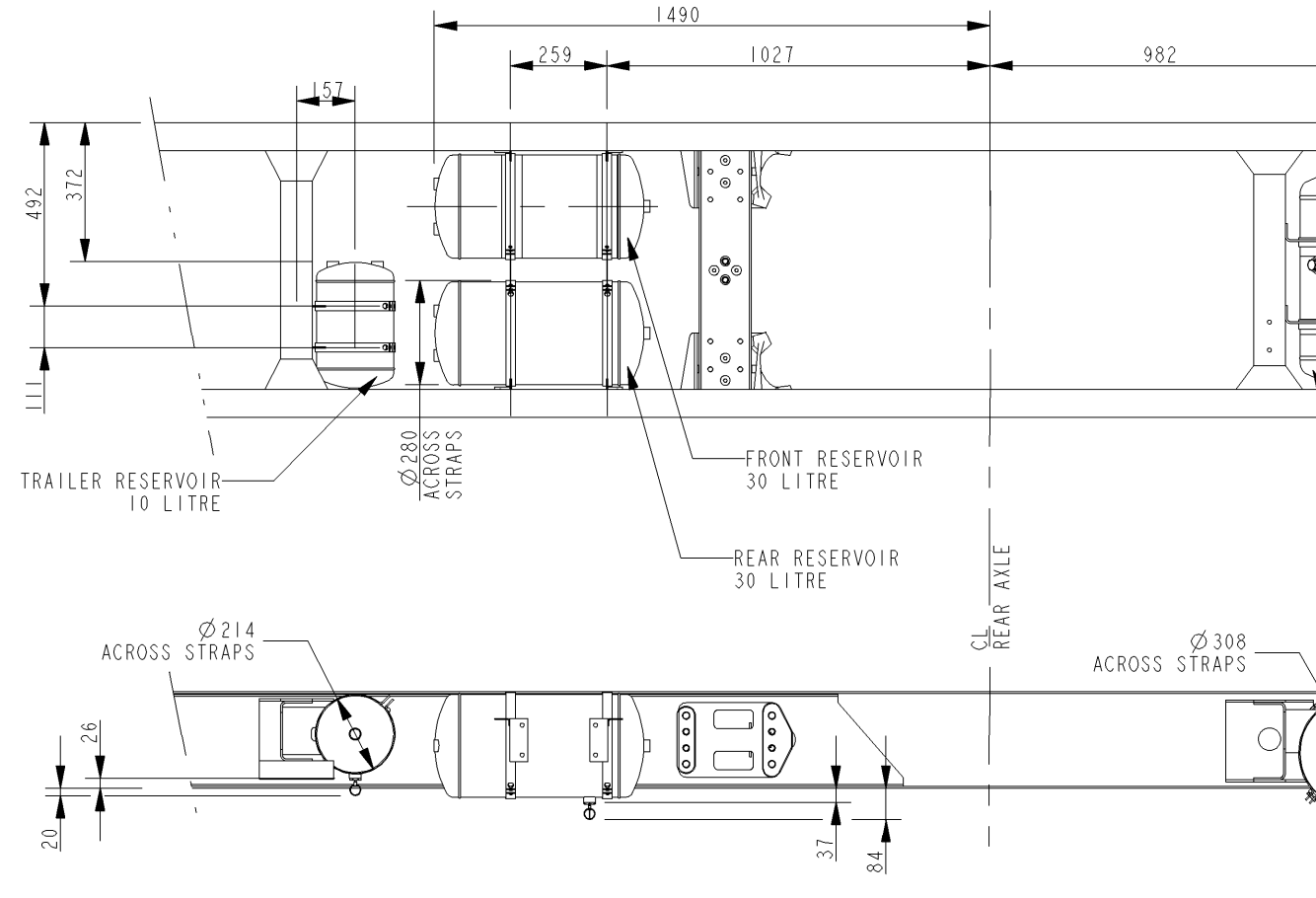
RESERVOIRS FOR STEEL SUSPENSION (HAULAGE)



RESERVOIRS FOR AIR SUSPENSION (HAULAGE) WHEELBASES BELOW 4150



RESERVOIRS FOR AIR SUSPENSION (DRAWBAR) 4450 WB AND ABOVE



NOTES:

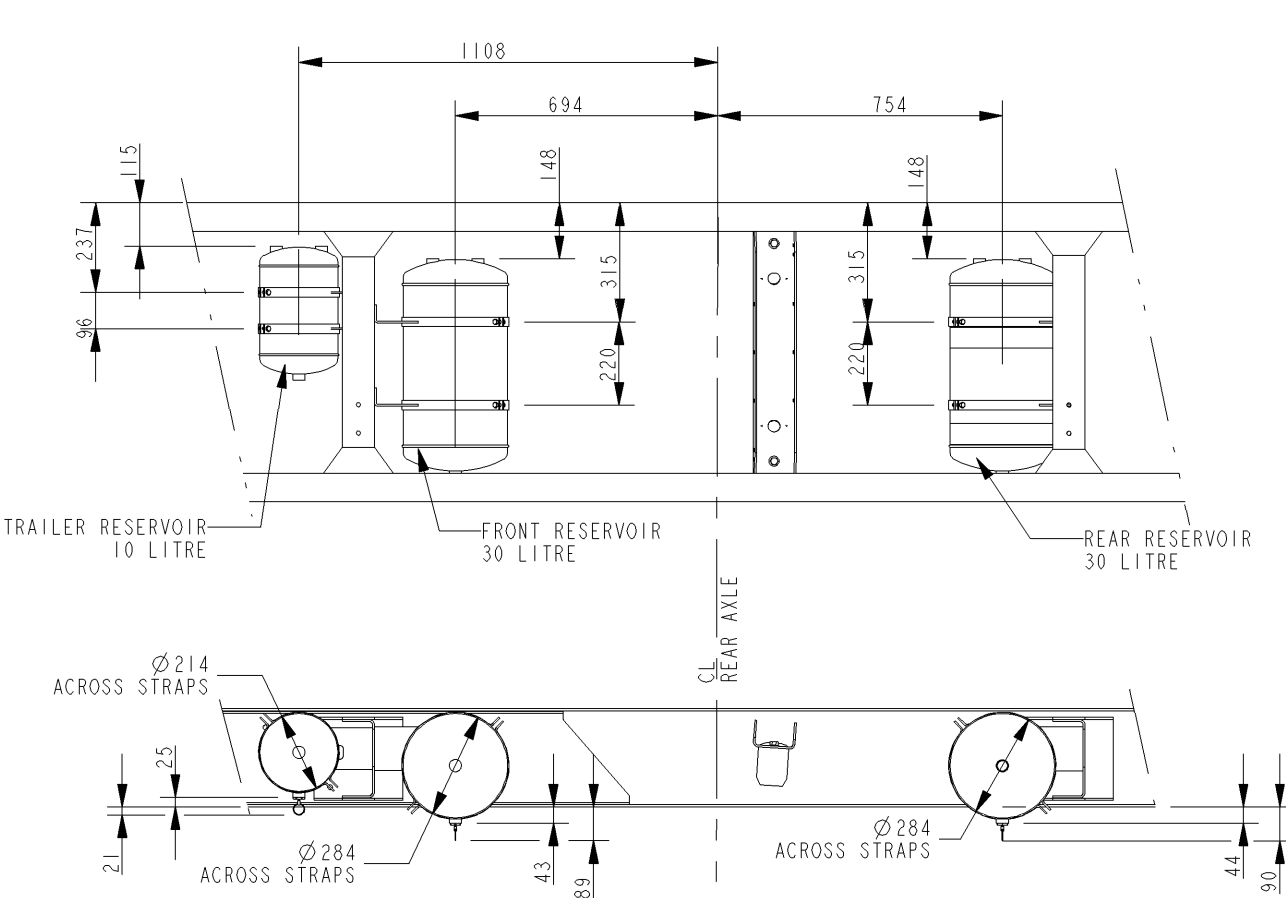
GEEN MATEN VAN TEKENING OPMETEN.
WIJZIGINGEN ZONDER VOORAFGAANDE KENNISGEVING VOORBEHOUDEN.
VOOR UITVOERING VAN HET VOERTUIG RAADPLEEG
MEN DE OORBEVESTIGING
VOOR AFMETINGEN VAN DE LANGSLIGGERS ZIE DETAIL:C.

DO NOT SCALE DRAWING.
SUBJECT TO MODIFICATION WITHOUT PRIOR NOTICE.
PLEASE SEE NOTE FOR DEFINITIVE VEHICLE LAY-OUT.
FOR THE SECTIONAL DIMENSIONS OF THE MAIN GIRDERS, SEE DETAIL:C.

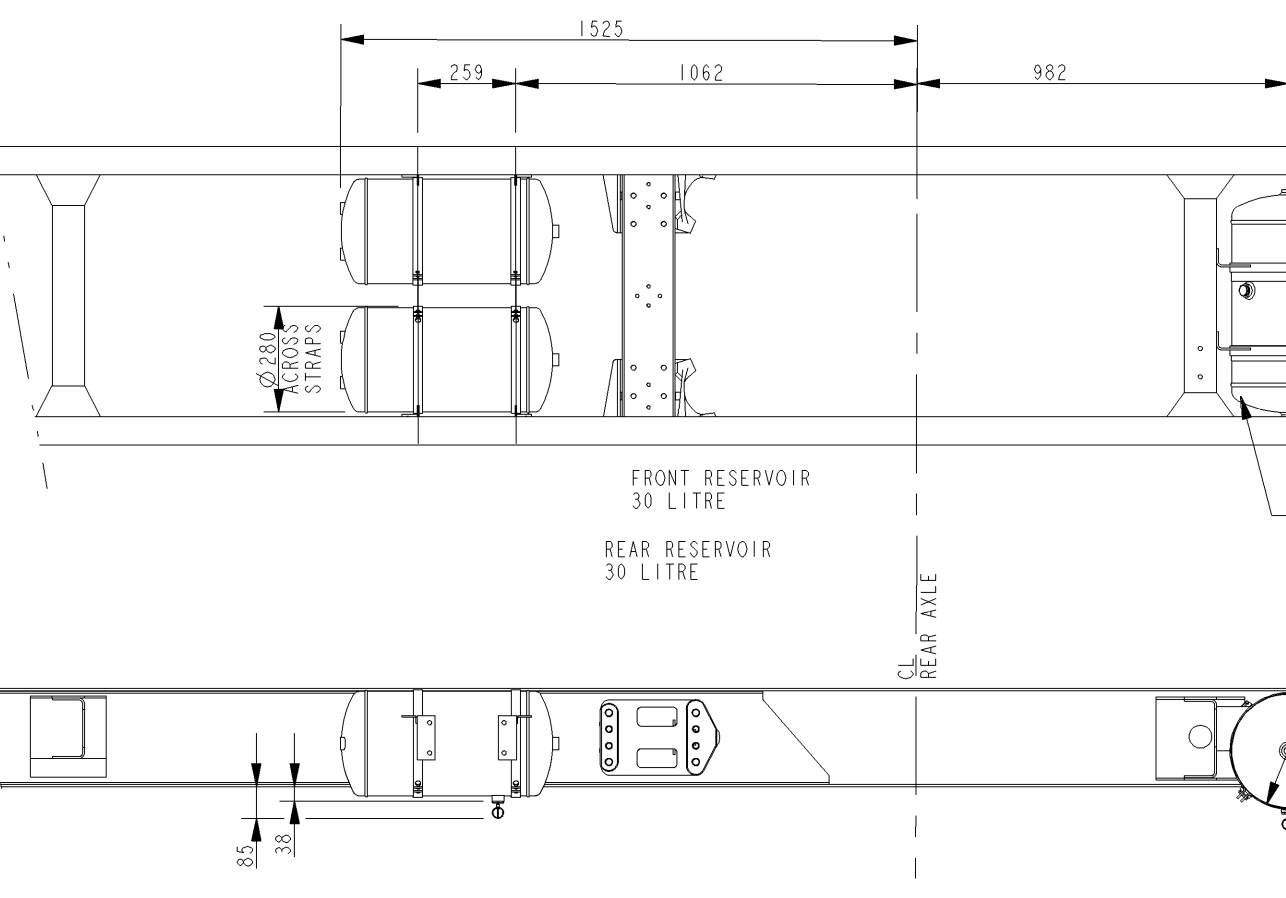
NE RIEN RELEVER DU DESSIN.
SOUS RESERVE DE MODIFICATIONS SANS AVIS PREALABLE.
VEUILLEZ CONSULTER LE BON DE COMMANDE
POUR LE EQUIPEMENT DU VEHICULE CONCERNE
EN CE QUI CONCERNE LA SECTION DES LONGERONS VOIR DETAIL:C.

KEINE ZEICHNUNGSMASSE AFMESSEN.
ÄNDERUNGEN OHNE VORANKÜNDIGUNG VORBEHALTEN.
DIE AUSFÜHRUNG DES BETREFFENDEN FAHRZUEGS
ENTNEHME MAN DER AUFTRAGSBESTÄTIGUNG.
FÜR DIE SCHNITTMASSE DER LANGSTRAGER SIEHE DETAIL:C.

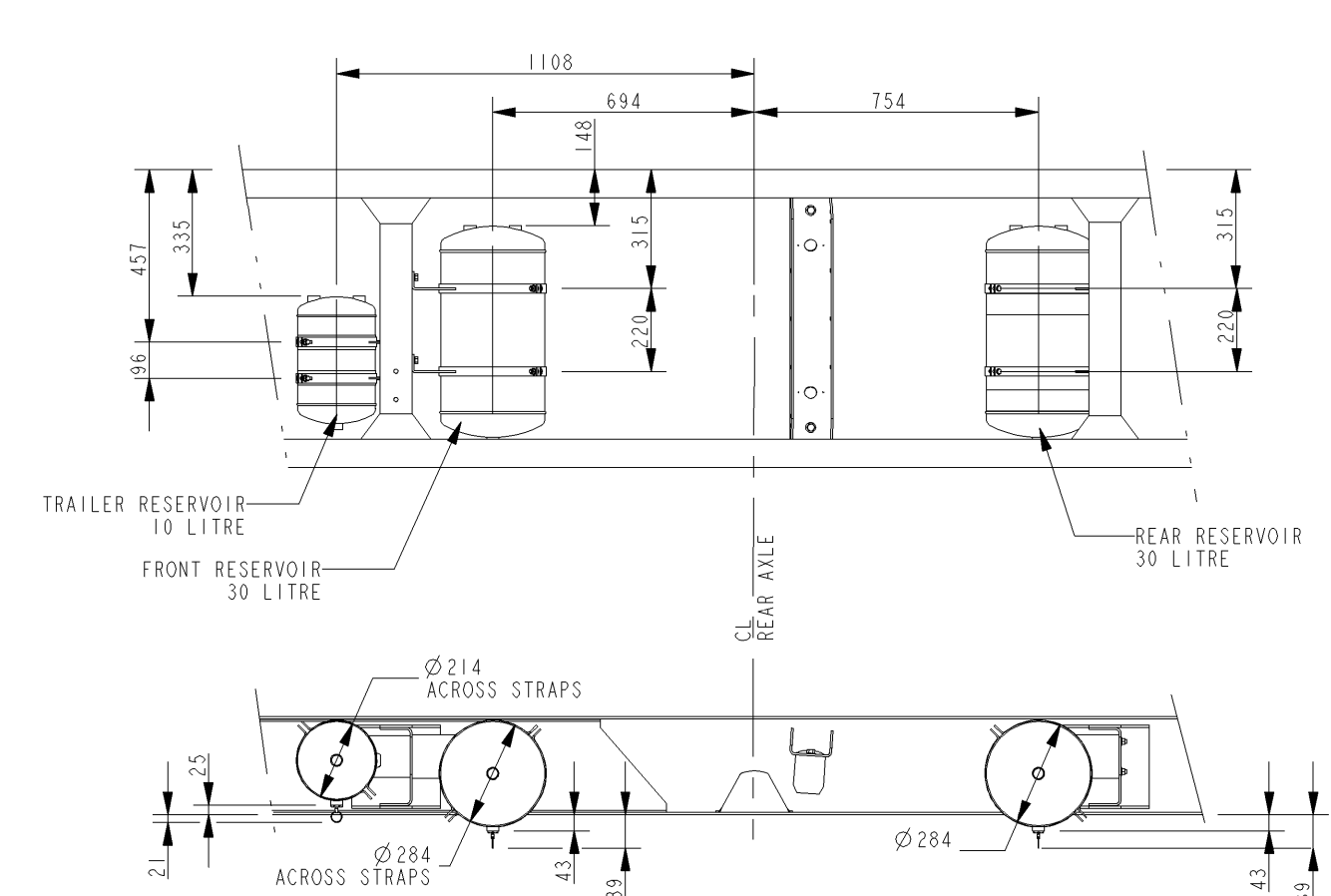
RESERVOIRS FOR STEEL SUSPENSION (DRAWBAR)



RESERVOIRS FOR AIR SUSPENSION (HAULAGE) 4150 WB AND ABOVE



RESERVOIRS FOR STEEL SUSPENSION (HAULAGE)



In title block Euro 4 is updated to Euro 4/5.		10/03/08	MKJ	BG	5700743	A
modification description		date	drawn by	auth by	mod.no.	issue
general tolerances	tolerance principle	title				
for drawing interpretation, see DAF standard.	material	DETAIL - J FA LF 55 Euro 4/5 18T				
surfaces/corners	heat/surface treatment					
authorised by	date	paint specification	size	scale	sheet	model number
KJ WILLIAMS			SP	1:20	1 of 1	
drawn by	date	prod.gp.spec.	spec. indicat.	third angle projection		
MK JOSHI	21/07/06					
source	replacement for	replaced by		drawing/issue number		
				NSEA340/A		
				replaced by		
				CAD Pro/ENGINEER		