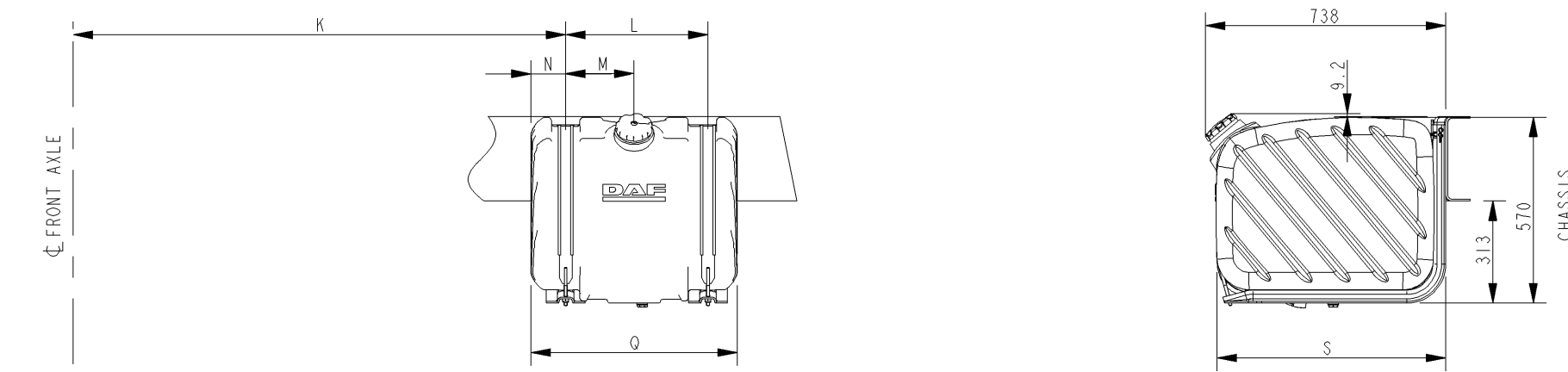


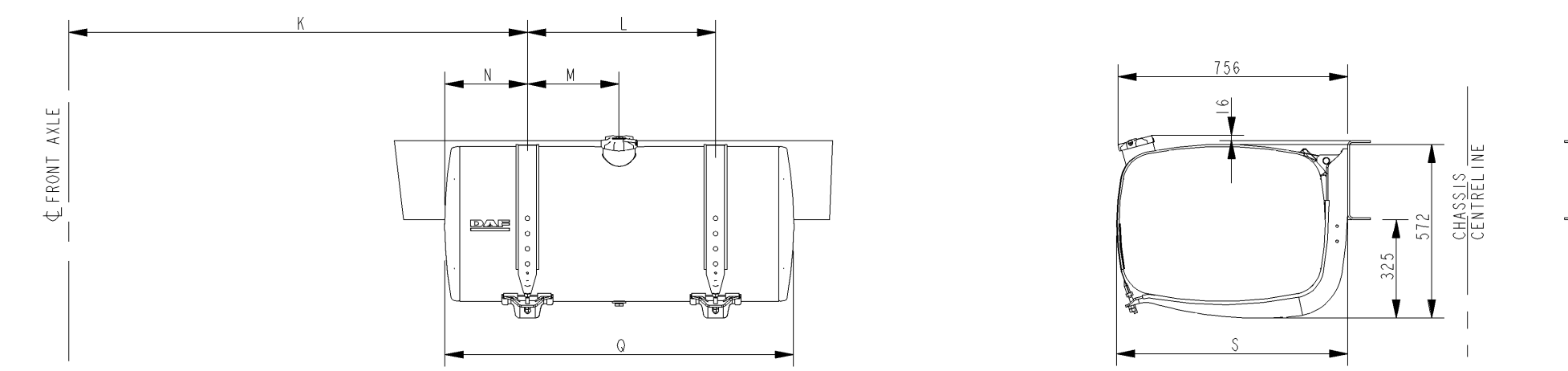
DETAIL 'L' COMPOSITE FUEL TANKS



150 LITRE & 200 LITRE FUEL TANK STANDARD POSITION

OIL TANKS POSITIONS FOR 26 LITRE UREA TANK - DIM'N IN 'mm'				
TANK CAPACITY	WHEEL BASE	EXHAUST DISCHARGE	PACKER OF FRAME	DIM 'K' DIM 'L' DIM 'M' DIM 'N' DIM 'O' DIM 'S'
150 LITRE	3450	CENTRE, LH (REAR OF TANK)	-	1512.5 437 210 107 633 706
150 LITRE	3450	LH (FORWARD OF TANK), VERTICAL	40	1512.5 437 210 107 633 746
150 LITRE	3750 TO 6250	CENTRE, LH (REAR OF TANK)	-	1695 437 210 107 633 706
150 LITRE	3750 TO 6250	LH (FORWARD OF TANK), VERTICAL	40	1695 437 210 107 633 746
200 LITRE	3450	CENTRE, LH (REAR OF TANK)	-	1512.5 437 218.5 155 747 706
200 LITRE	3450	LH (FORWARD OF TANK), VERTICAL	40	1512.5 437 218.5 155 747 746
200 LITRE	3750 TO 6250	CENTRE, LH (REAR OF TANK)	-	1695 437 218.5 155 747 706
200 LITRE	3750 TO 6250	LH (FORWARD OF TANK), VERTICAL	40	1695 437 218.5 155 747 746

OIL TANKS POSITIONS FOR 70 LITRE UREA TANK - DIM'N IN 'mm'				
TANK CAPACITY	WHEEL BASE	EXHAUST DISCHARGE	PACKER OF FRAME	DIM 'K' DIM 'L' DIM 'M' DIM 'N' DIM 'O' DIM 'S'
150 LITRE	3750 TO 6250	CENTRE, LH (REAR OF TANK)	-	1695 437 210 107 633 706
150 LITRE	3750 TO 6250	LH (FORWARD OF TANK), VERTICAL	40	1695 437 210 107 633 746
200 LITRE	3750 TO 6250	CENTRE, LH (REAR OF TANK)	-	1695 437 218.5 155 747 706
200 LITRE	3750 TO 6250	LH (FORWARD OF TANK), VERTICAL	40	1695 437 218.5 155 747 746

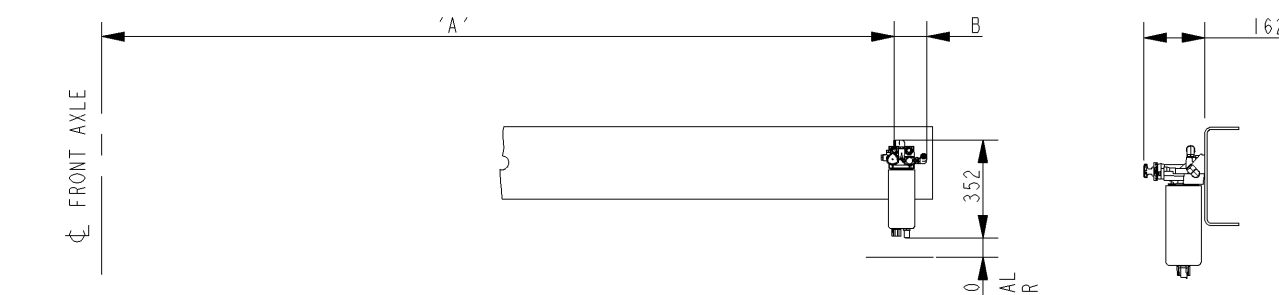


340 LITRE FUEL TANK STANDARD POSITION

OIL TANKS POSITIONS FOR 26 LITRE UREA TANK - DIM'N IN 'mm'				
TANK CAPACITY	WHEEL BASE	EXHAUST DISCHARGE	PACKER OF FRAME	DIM 'K' DIM 'L' DIM 'M' DIM 'N' DIM 'O' DIM 'S'
340 LITRE	3450 AIR, 3750 TO 6250	CENTRE, LH (REAR OF TANK)	-	1512.5 620 302.5 272.5 1150 762
340 LITRE	3450 AIR, 3750 TO 6250	LH (FORWARD OF TANK), VERTICAL	20	1512.5 620 302.5 272.5 1150 782

OIL TANKS POSITIONS FOR 70 LITRE UREA TANK - DIM'N IN 'mm'				
TANK CAPACITY	WHEEL BASE	EXHAUST DISCHARGE	PACKER OF FRAME	DIM 'K' DIM 'L' DIM 'M' DIM 'N' DIM 'O' DIM 'S'
340 LITRE	4150 TO 5300	CENTRE, LH (REAR OF TANK)	-	2132.5 620 302.5 272.5 1150 762
340 LITRE	4150 TO 5300	LH (FORWARD OF TANK), VERTICAL	20	2132.5 620 302.5 272.5 1150 782
340 LITRE	5850 TO 6250	CENTRE, LH (REAR OF TANK)	-	2222.5 620 302.5 272.5 1150 762
340 LITRE	5850 TO 6250	LH (FORWARD OF TANK), VERTICAL	20	2222.5 620 302.5 272.5 1150 782

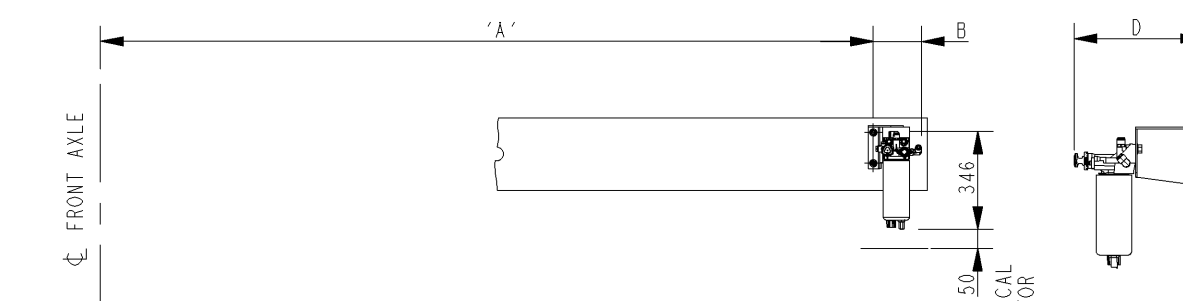
DETAIL 'L' FRAME MOUNTED - REAR OF F/TANK ON SIDE MEMBER



W/BASE 'mm', R/SUSP	UREA/FUEL TANK COMBINATIONS - DIM'N 'A' IN 'mm'					B IN 'mm'
	26/150	70/150	26/200	70/200	26/340	
3750 AIR	2561.5					117
3750 STEEL						
4150 STEEL/AIR	2509					
4450 STEEL/AIR	2861					
4750 STEEL/AIR						
5300 STEEL/AIR	2509					
5850 STEEL/AIR						

W/BASE 'mm'	UREA/FUEL TANK COMBINATIONS				B (mm)
	R/SUSP	U/TANK	F/TANK	DIM'N 'A' IN 'mm'	
4150 & ABOVE	STEEL/AIR	70L	340/430L ALUM	1650.5	108

DETAIL 'L' FRAME MOUNTED - REAR OF F/TANK SPACED



W/BASE 'mm'	UREA/FUEL TANK COMBINATIONS				B IN 'mm'	D IN 'mm'
	R/SUSP	U/TANK	F/TANK	DIM'N 'A' IN 'mm'		
3450	STEEL/AIR	26L	150/200L	2177.5	199	346
			340L	2430	173	342

modification description		date	drawn by	auth by	mod. no.	issue
general tolerances	tolerance principle	DETAILS - L & P FA LF 55 Euro 4/5 18T				
for drawing interpretation, see DAF standard.	material					
surfaces/corners	heat/surface treatment	size	scale	sheet	model number	
authorised by	date	paint specification	third angle projection 			
drawn by	date	prod. grp. spec.	spec. indicat.	This drawing is the property of DAF - Trucks N.V. Eindhoven, The Netherlands and may not be copied in whole or in part without the prior written consent of the owner. drawing/issue number NSEA337/D		
source	replacement for	replaced by		CAD Pro/ENGINEER		