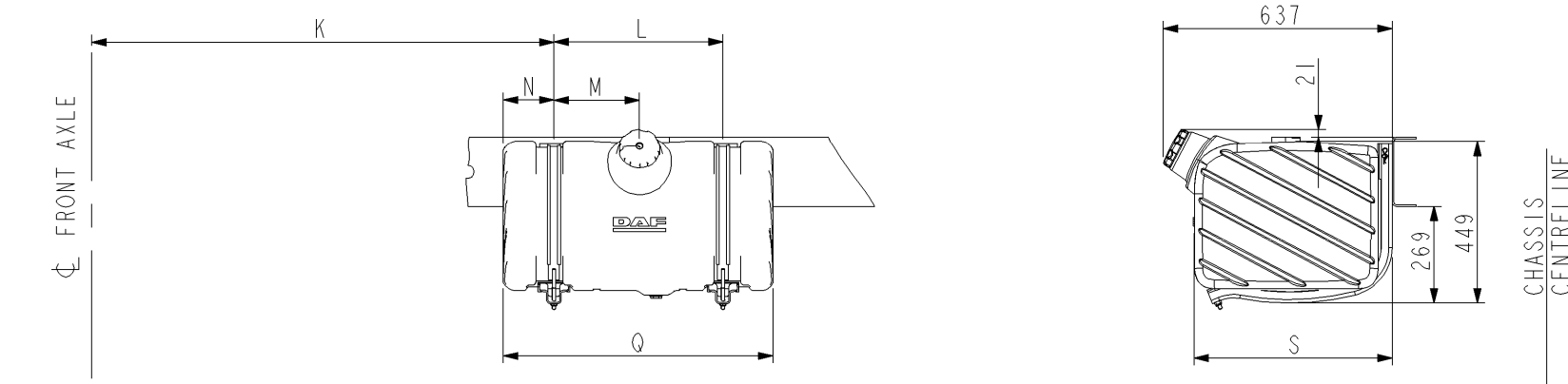
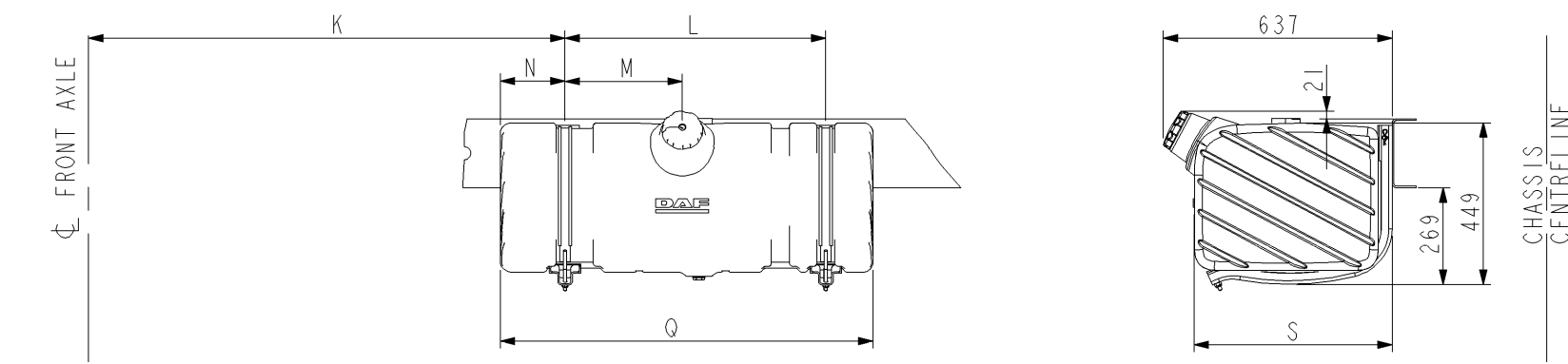


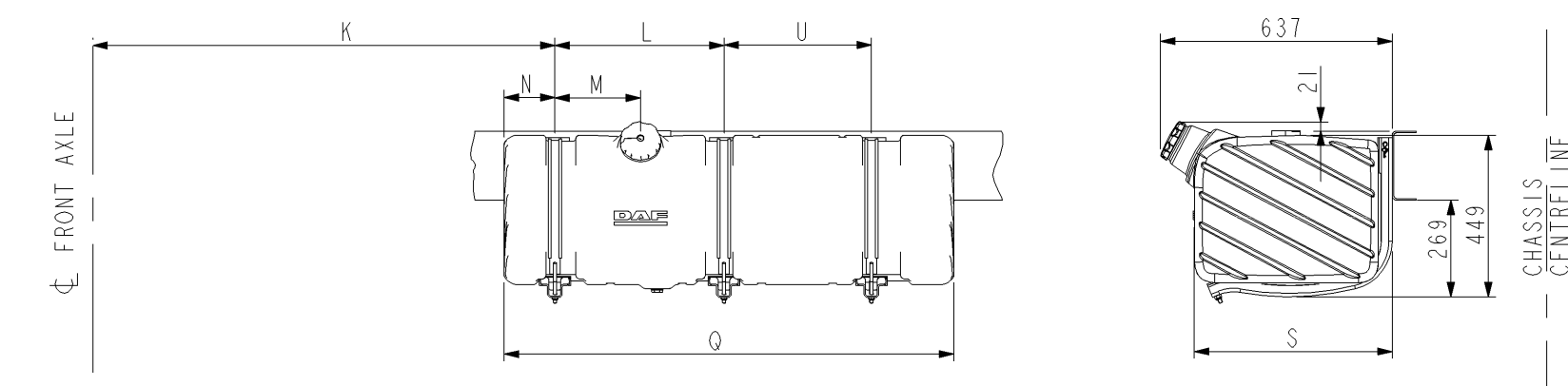
DETAIL 'L' COMPOSITE FUEL TANKS



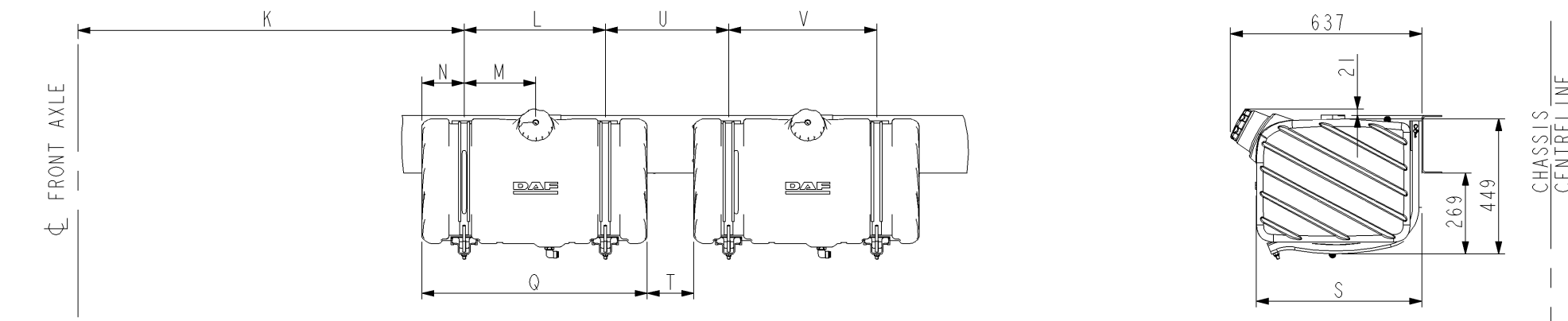
123 LITRE FUEL TANK STANDARD POSITION



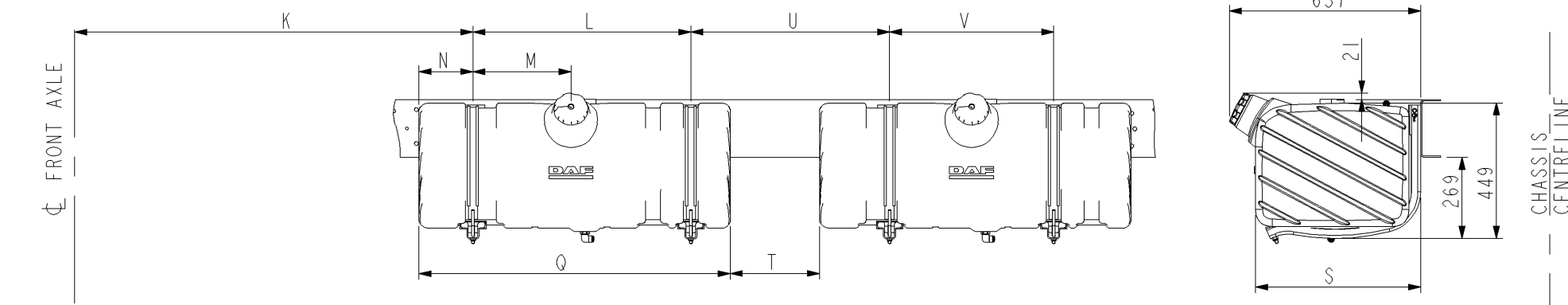
168 LITRE FUEL TANK STANDARD POSITION



200 LITRE FUEL TANK STANDARD POSITION



2 X 123 LITRE FUEL TANKS STANDARD POSITION



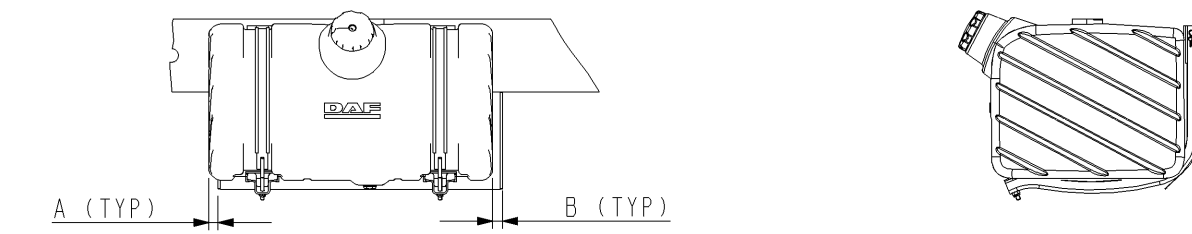
2 X 168 LITRE FUEL TANKS STANDARD POSITION

OIL TANKS POSITIONS WITH 26 LITRE UREA TANK - DIM'N IN 'mm'												
TANK CAPACITY	WHEELBASE	EXHAUST DISCHARGE	PACKER OFF FRAME	DIM 'K'	DIM 'L'	DIM 'M'	DIM 'N'	DIM 'O'	DIM 'S'	DIM 'T'	DIM 'U'	DIM 'V'
123 LITRE	3000 STEEL, 3150 TO 5400	CENTRE, LH (REAR OF TANK)	-	1285	470	238	141	750	551	-	-	-
123 LITRE	3000 STEEL, 3150 TO 5400	LH (FORWARD OF TANK), VERTICAL	40	1285	470	238	141	750	591	-	-	-
123 LITRE TWIN	3550 AIR, 3900 TO 5400	CENTRE, LH (REAR OF TANK)	-	1285	470	238	141	750	551	155	410	493
123 LITRE TWIN	3550 AIR, 3900 TO 5400	LH (FORWARD OF TANK), VERTICAL	40	1285	470	238	141	750	591	155	410	493
168 LITRE	3150 TO 5400	CENTRE, LH (REAR OF TANK)	-	1325	725	326	180	1036	551	-	-	-
168 LITRE	3150 TO 5400	LH (FORWARD OF TANK), VERTICAL	40	1325	725	326	180	1036	591	-	-	-
168 LITRE TWIN	4300 AIR, 4650 TO 5400	CENTRE, LH (REAR OF TANK)	-	1325	725	326	180	1036	551	297	661	546
168 LITRE TWIN	4300 AIR, 4650 TO 5400	LH (FORWARD OF TANK), VERTICAL	40	1325	725	326	180	1036	591	297	661	546
200 LITRE	3150 AIR, 3550 TO 5400	CENTRE, LH (REAR OF TANK)	-	1285	470	238	141	1250	551	-	410	-
200 LITRE	3150 AIR, 3550 TO 5400	LH (FORWARD OF TANK), VERTICAL	40	1285	470	238	141	1250	591	-	410	-

OIL TANKS POSITIONS WITH 70 LITRE UREA TANK - DIM'N IN 'mm'											
TANK CAPACITY	WHEELBASE	EXHAUST DISCHARGE	PACKER OFF FRAME	DIM 'K'	DIM 'L'	DIM 'M'	DIM 'N'	DIM 'O'	DIM 'S'	DIM 'U'	DIM 'V'
123 LITRE	3150 TO 5400	CENTRE, LH (REAR OF TANK)	-	1530	519	263	116	750	551	-	-
123 LITRE	3150 TO 5400	LH (FORWARD OF TANK), VERTICAL	40	1530	519	263	116	750	591	-	-
168 LITRE	3550 AND 4650	CENTRE, LH (REAR OF TANK)	-	1646	725	326	180	1036	551	-	-
168 LITRE	3550 AND 4650	LH (FORWARD OF TANK), VERTICAL	40	1646	725	326	180	1036	591	-	-
168 LITRE	3900 AND 5000	CENTRE, LH (REAR OF TANK)	-	1755	725	326	180	1036	551	-	-
168 LITRE	3900 AND 5000	LH (FORWARD OF TANK), VERTICAL	40	1755	725	326	180	1036	591	-	-
168 LITRE	4300 AND 5400	CENTRE, LH (REAR OF TANK)	-	1755	713	314	192	1036	551	-	-
168 LITRE	4300 AND 5400	LH (FORWARD OF TANK), VERTICAL	40	1755	713	314	192	1036	591	-	-
200 LITRE	3550 TO 5400	CENTRE, LH (REAR OF TANK)	-	1755	410	205	174	1250	551	493	-
200 LITRE	3550 TO 5400	LH (FORWARD OF TANK), VERTICAL	40	1755	410	205	174	1250	591	493	-

NOTE: WITH ALL FORWARD OF FUEL TANK EXHAUST PIPE RUNS THE FUEL TANK MUST BE MOVED OUT 40MM TO GIVE THE PIPE SUFFICIENT CLEARANCE FROM THE SILENCER AND THE TANK. THEREFORE ALL DIMENSIONS FROM THE FRAME WILL BE +40MM AND THE ADJUSTED VALUES ARE GIVEN IN THE CHART ABOVE.

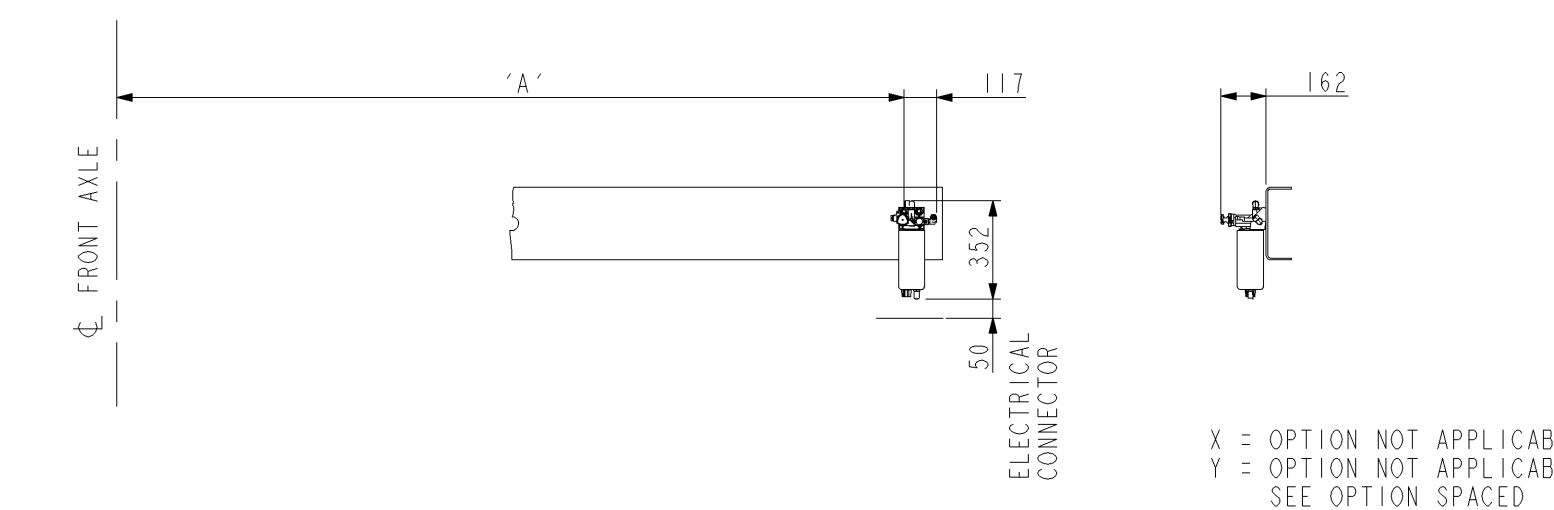
DETAIL 'L' HEATSHIELD WITH COMPOSITE FUEL TANK



TYPICAL HEAT SHIELD INSTALLATION ALWAYS ON SPACERS. IF FUEL TANK IS MOVED THE HEAT SHIELD MUST BE REPOSITIONED TO COVER THE COMPOSITE FUEL TANK FROM SILENCER HEAT.

HEAT SHIELD POSITION - DIM'N IN 'mm'		
TANK CAPACITY	DIM 'A'	DIM 'B'
123 LITRE	24	26
123 LITRE TWIN	24	26
168 LITRE	1	0
168 LITRE TWIN	1	0
200 LITRE	1	1

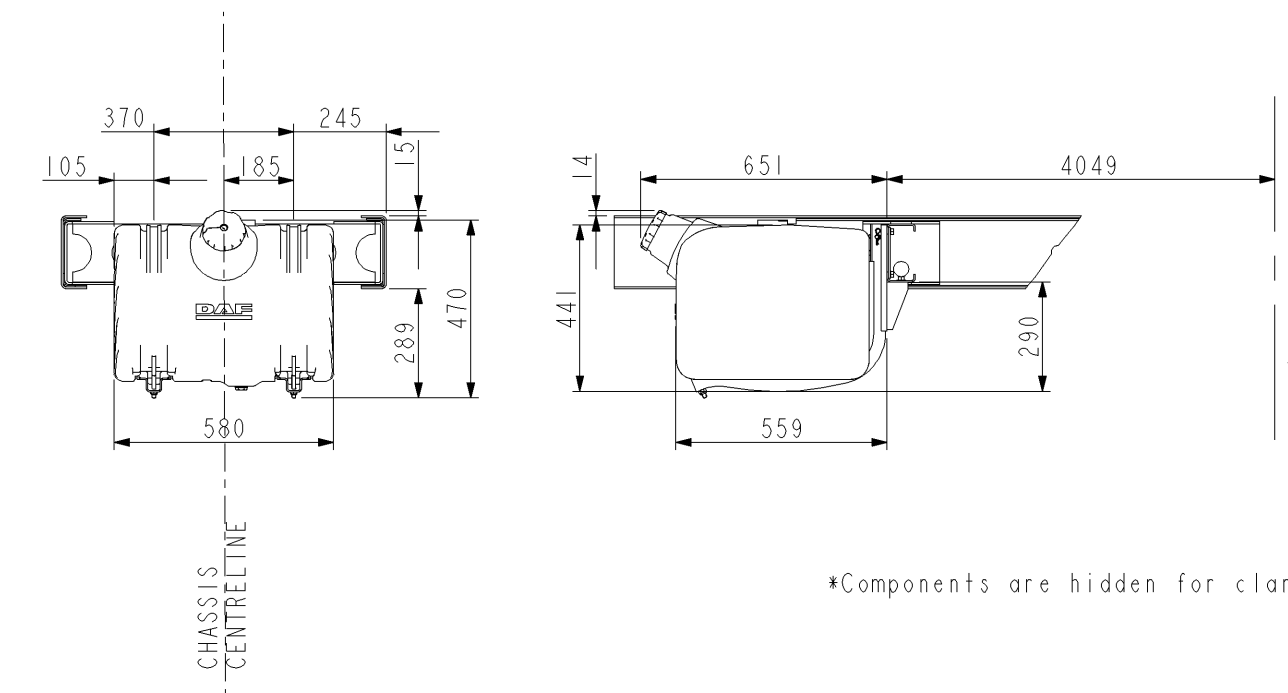
DETAIL 'L' FRAME MOUNTED - REAR OF F/TANK ON SIDE MEMBER



X = OPTION NOT APPLICABLE
Y = OPTION NOT APPLICABLE
SEE OPTION SPACED

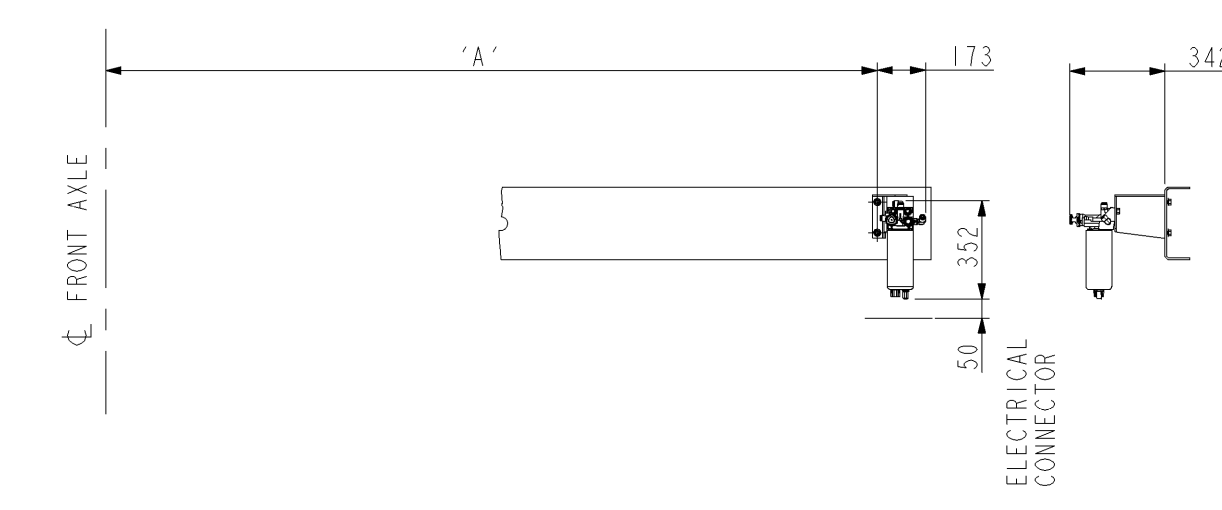
W/BASE mm R/SUSP	UREA/FUEL TANK COMBINATIONS - DIM'N 'A' IN 'mm'						
	26/123	70/123	26/168	70/168	26/200	26/2x123	26/2x168
3150 AIR	2393.75		X				
3550 STEEL	2463.75		Y				
3550 AIR	2393.75	2704.75	Y		X		
3900 STEEL			3143.75		X		
3900 AIR			2904.75		X		
4300 STEEL/AIR			3143.75		3585		
4650 STEEL/AIR	2383.75		3143.75		3585		
5000 STEEL/AIR	2393.75		3143.75		3585		
5400 STEEL/AIR	2393.75		3143.75		3585		

DETAIL 'L' 77 LITRE PLASTIC FUEL TANK FOR LF45 12T VERTICAL EXHAUST AT REAR OVERHANG



*Components are hidden for clarity.

DETAIL 'L' FRAME MOUNTED - REAR OF F/TANK SPACED



View 'Detail - 13 Liter Urea Tank' in sheet 1 and 'Detail L 77 liter Plastic Fuel Tank For LF45 12T Vertical Exhaust At Rear Overhang' added in sheet 2	15/07/11	SK	AH	5712348	D
modification description	date	drawn by	auth by	mod.no.	issue

general tolerances	tolerance principle	title			
for drawing interpretation, see DAF standard:	material	DETAILS L & P FA LF 45 Euro4/5 75-12T			
surfaces/corners	heat/surface treatment				
authorised by	date	paint specification	third angle projection	size	sheet
K. WILLIAMS				SP	1:20 of 2
drawn by	date	prod. grp. spec.	spec. indicat.	This drawing is the property of DAF - Trucks N.V. Eindhoven, The Netherlands and may not be copied in whole or in part without the prior written consent of the owner. drawing/issue number NSEA310/D	
D. SMETHURTS	15/09/06				
source	replacement for	replaced by	CAD Pro/ENGINEER		