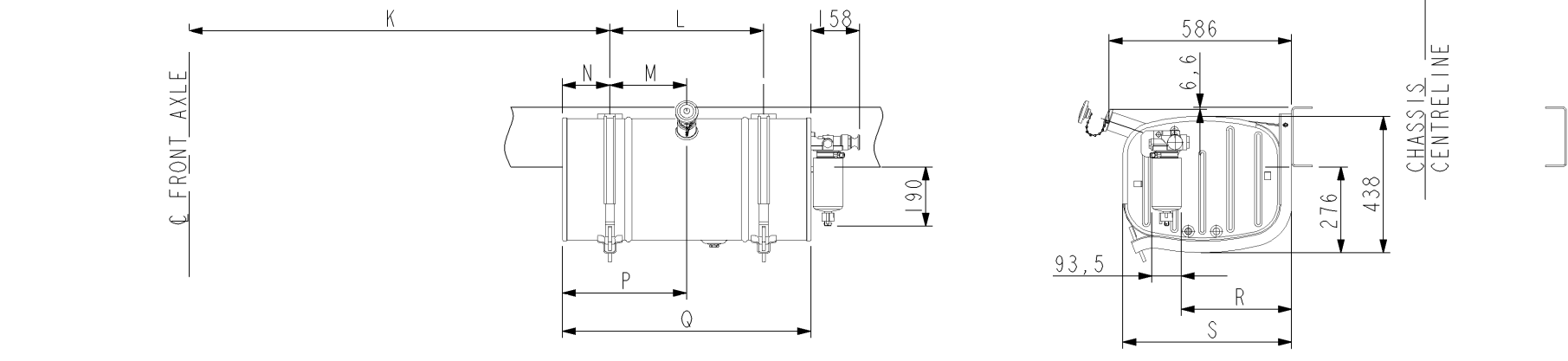
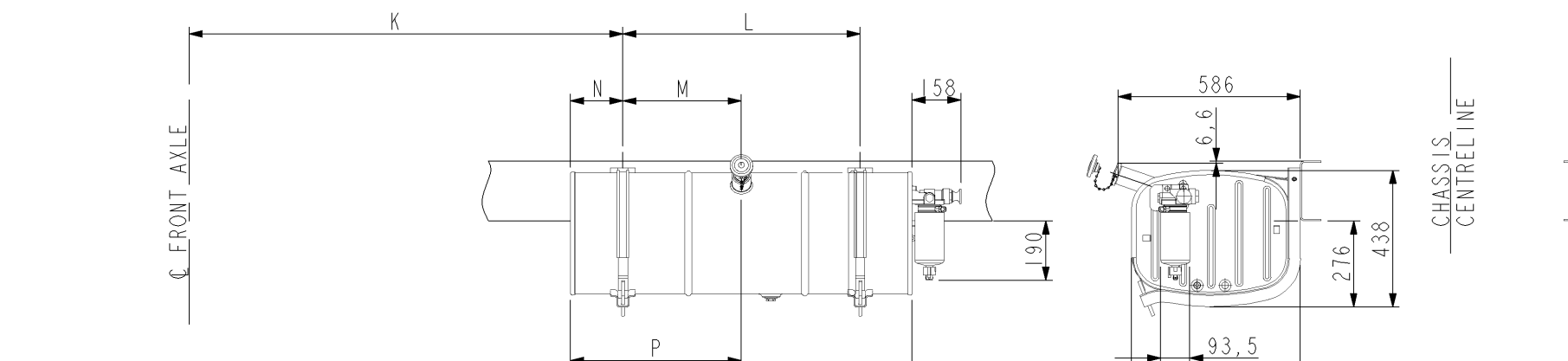


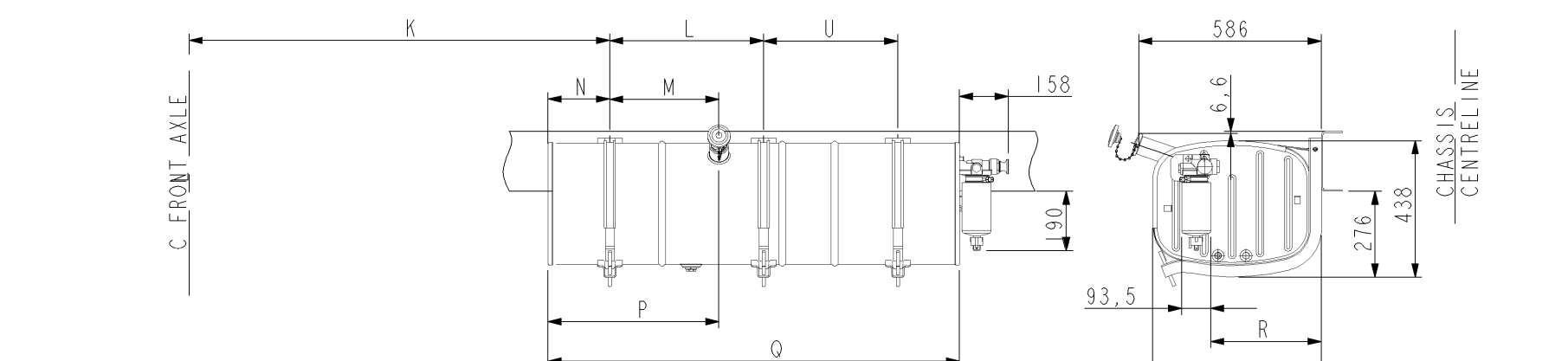
DETAIL 'L' STEEL FUEL TANKS



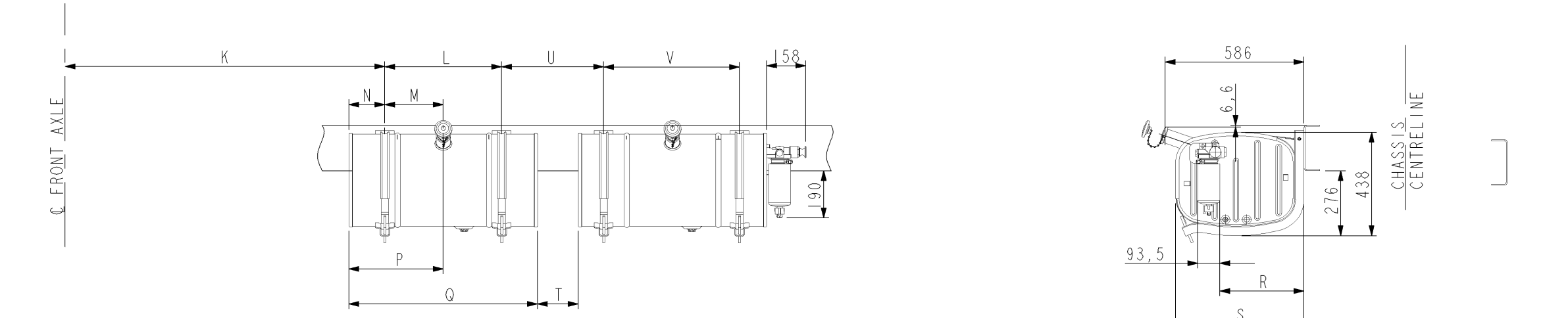
123 LITRE FUEL TANK STANDARD POSITION 3,00M (STEEL ONLY), ALL OTHER WHEELBASES



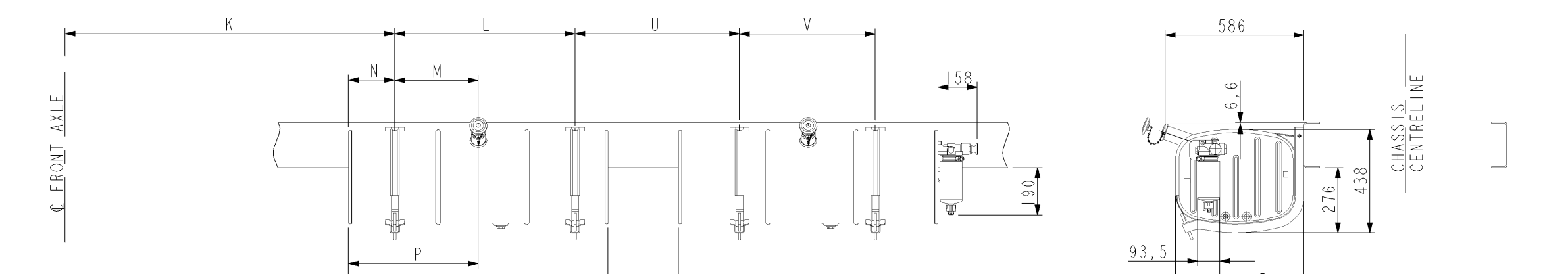
168 LITRE FUEL TANK STANDARD POSITION EXCLUDING 3,00M WHEELBASE



200 LITRE FUEL TANK STANDARD POSITION EXCLUDING 3,00M AND 3,15M WHEELBASES - STEEL SUSPENSION



2 X 123 LITRE FUEL TANKS 3,55M (AIR ONLY), 3,90M, 4,30M, 4,65M, 5,00M & 5,40M WHEELBASES.



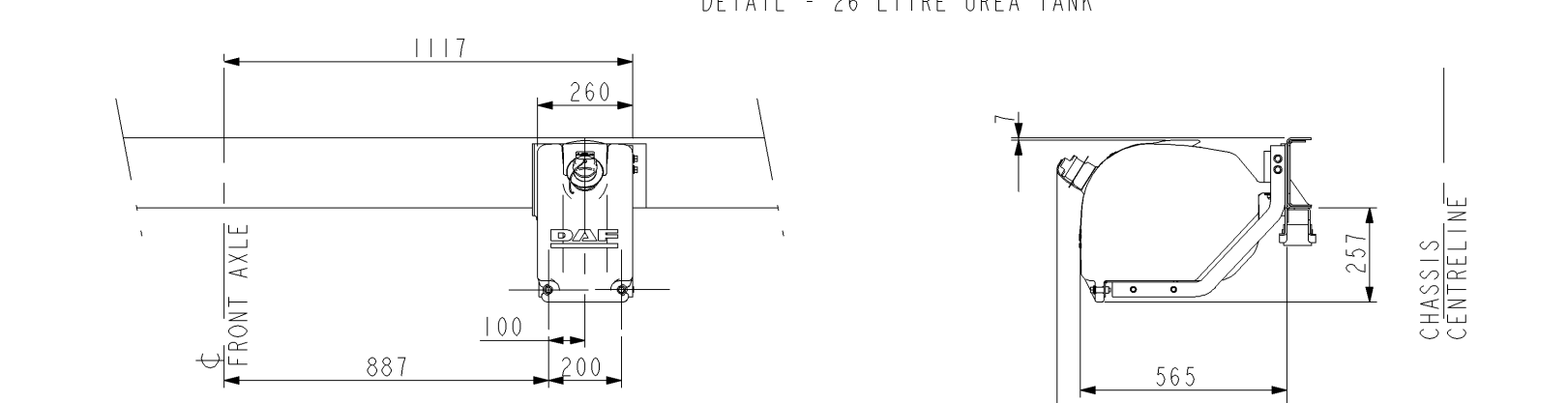
2 X 168 LITRE FUEL TANKS 4,30M, 4,65M, 5,00M & 5,40M WHEELBASES ONLY

OIL TANKS POSITIONS WITH 26 LITRE UREA TANK												
TANK CAPACITY	WHEELBASE	EXHAUST DISCHARGE	PACKER OFF FRAME	DIM "K"	DIM "L"	DIM "M"	DIM "N"	DIM "P"	DIM "Q"	DIM "R"	DIM "S"	DIM "U"
123 LITRE	ALL WHEELBASES STEEL, 3150 AND ABOVE AIR	CENTRE, LH (REAR OF TANK)	-	1285	470	235	144	379	758	355	542	-
123 LITRE	ALL WHEELBASES STEEL, 3150 AND ABOVE AIR	LH (FORWARD OF TANK), VERTICAL	30MM	1285	470	235	144	379	758	385	572	-
123 LITRE TWIN	3550 AND ABOVE AIR, 3900 AND ABOVE STEEL	CENTRE, LH (REAR OF TANK)	-	1285	470	235	144	379	758	355	542	163 410 546
123 LITRE TWIN	3550 AND ABOVE AIR, 3900 AND ABOVE STEEL	LH (FORWARD OF TANK), VERTICAL	30MM	1285	470	235	144	379	758	385	572	163 410 546
168 LITRE	3150 AND ABOVE	CENTRE, LH (REAR OF TANK)	-	1325	725	362	160	522	1044	355	542	-
168 LITRE	3150 AND ABOVE	LH (FORWARD OF TANK), VERTICAL	30MM	1325	725	362	160	522	1044	385	572	-
168 LITRE TWIN	4300 AND ABOVE	CENTRE, LH (REAR OF TANK)	-	1325	725	336	186	522	1044	355	542	282 661 546
168 LITRE TWIN	4300 AND ABOVE	LH (FORWARD OF TANK), VERTICAL	30MM	1325	725	336	186	522	1044	385	572	282 661 546
200 LITRE	3150 AND ABOVE AIR, 3550 AND ABOVE STEEL	CENTRE, LH (REAR OF TANK)	-	1285	470	334	188	522	1257	355	542	-
200 LITRE	3150 AND ABOVE AIR, 3550 AND ABOVE STEEL	LH (FORWARD OF TANK), VERTICAL	30MM	1285	470	334	188	522	1257	385	572	410

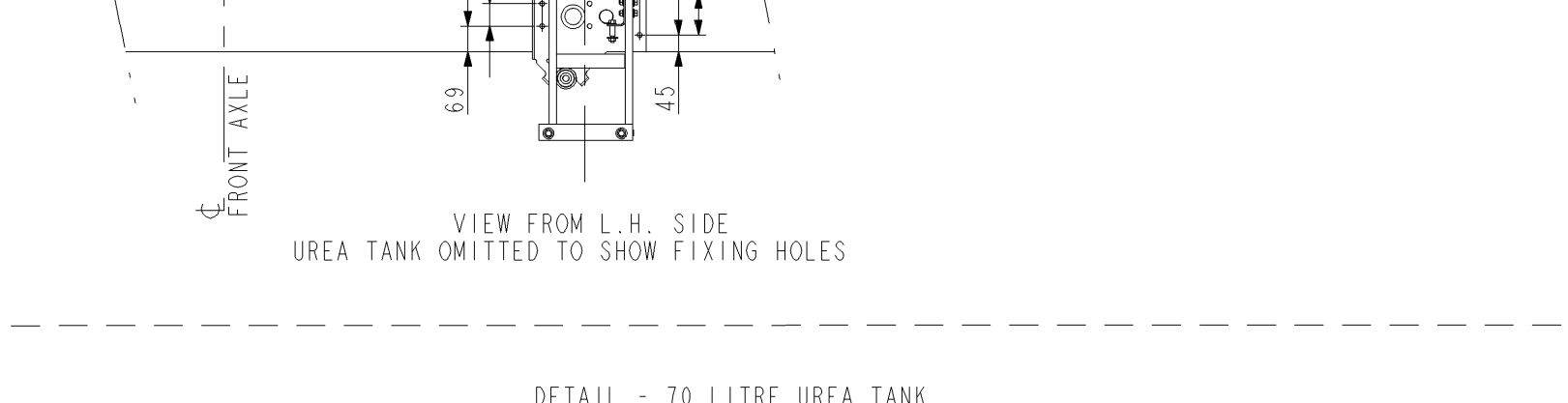
OIL TANKS POSITIONS WITH 70 LITRE UREA TANK												
TANK CAPACITY	WHEELBASE	EXHAUST DISCHARGE	PACKER OFF FRAME	DIM "K"	DIM "L"	DIM "M"	DIM "N"	DIM "P"	DIM "Q"	DIM "R"	DIM "S"	DIM "U"
123 LITRE	3150 AND ABOVE	CENTRE, LH (REAR OF TANK)	-	1646	519	259	120	379	758	355	542	-
123 LITRE	3150 AND ABOVE	LH (FORWARD OF TANK), VERTICAL	30MM	1646	519	259	120	379	758	385	572	-
168 LITRE	3550 AND 4650	CENTRE, LH (REAR OF TANK)	-	1646	599	344	178	522	1044	355	542	-
168 LITRE	3550 AND 4650	LH (FORWARD OF TANK), VERTICAL	30MM	1646	599	344	178	522	1044	385	572	-
168 LITRE	3900 TO 4300, 5000 TO 5400	CENTRE, LH (REAR OF TANK)	-	1755	725	340	182	522	1044	355	542	-
168 LITRE	3900 TO 4300, 5000 TO 5400	LH (FORWARD OF TANK), VERTICAL	30MM	1755	725	340	182	522	1044	385	572	-
200 LITRE	3550 AND ABOVE	CENTRE, LH (REAR OF TANK)	-	1755	410	344	178	522	1257	355	542	546
200 LITRE	3550 AND ABOVE	LH (FORWARD OF TANK), VERTICAL	30MM	1755	410	344	178	522	1257	385	572	546

NOTE: WITH ALL FORWARD OF FUEL TANK EXHAUST PIPE RUNS THE FUEL TANK MUST BE MOVED OUT 30MM TO GIVE THE PIPE SUFFICIENT CLEARANCE FROM THE SILENCER AND THE TANK. THEREFORE ALL DIMENSIONS FROM THE FRAME WILL BE +30MM AND THE ADJUSTED VALUES ARE GIVEN IN THE CHART ABOVE.

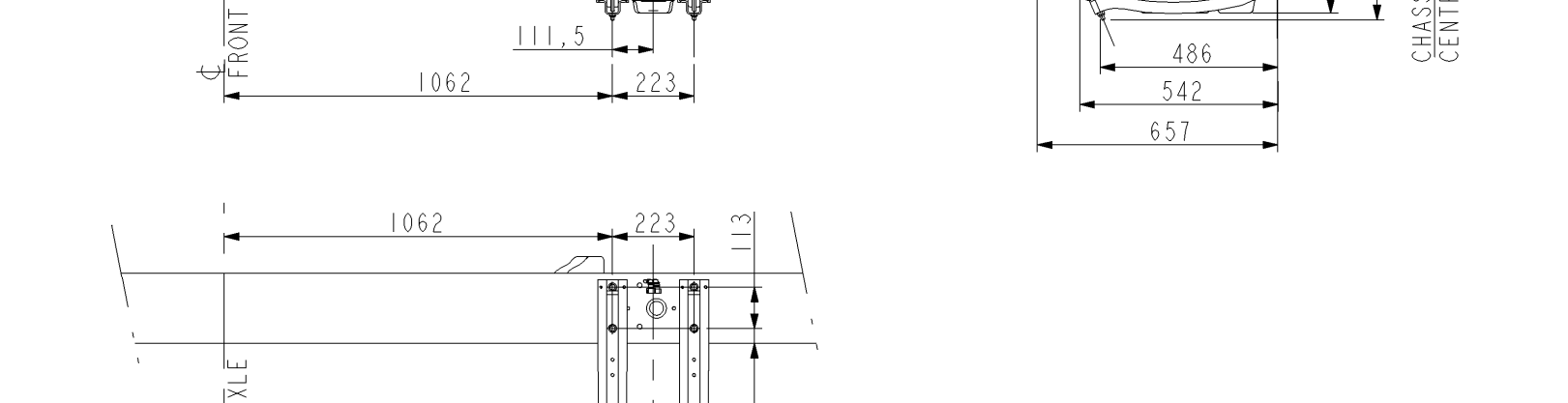
DETAIL 'P'



DETAIL - 26 LITRE UREA TANK



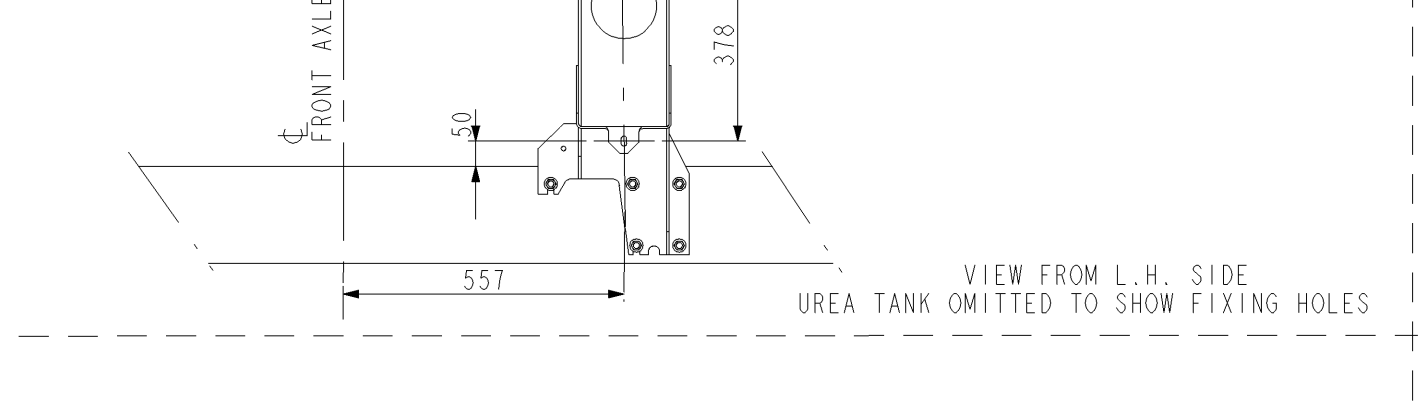
DETAIL - 70 LITRE UREA TANK



DETAIL - 13 LITRE UREA TANK



DETAIL - 26 LITRE UREA TANK



DETAIL - 13 LITRE UREA TANK

GEEN MATEN VAN TEKENING OPMETEN. WIJZIGINGEN ZONDER VOORAFGAANDE KENNISGEVING VOORBEHOUDEN. VOOR UITVOERING VAN HET VOERTUIG RAADPLEGE MEN DE ORDERBEVESTIGING.

DO NOT SCALE DRAWING. SUBJECT TO MODIFICATION WITHOUT PRIOR NOTICE. PLEASE SEE NOTE FOR DEFINITE VEHICLE EXECUTION.

NE RIEN RELEVER DU DESSIN. SOUS RESERVE DE MODIFICATIONS SANS AVIS PREALABLE. VEUILLEZ CONSULTER LE BON DE COMMANDE POUR L'EQUIPEMENT DU VEHICULE CONCERNE.

KEINE ZEICHNUNGSMASSE AUFMESSEN. AENDERUNGEN OHNE VORANKUENDIGUNG VORBEHALTEN. DIE AUSFUHRUNG DES BETREFFENDEN FARHZEUGS ENTNEHME MAN DER AUFTRAGSBESTAETIGUNG.

View 'Detail - 13 Liter Urea Tank' in sheet 1 and 'Detail L 77 liter Plastic Fuel Tank For LF45 12T Vertical Exhaust At Rear Overhang' added in sheet 2	15/07/11	SK	AH	5712348	D
Detail 'L' Fuel steel tank was Detail 'L' fuel tank, Add sheet no. 2 with Details of Composite Fuel tank, Fuel filter & Heat shield.	10/01/11	SK	AH	5711772	C
In title block Euro 4 is updated to Euro 4/5.	10/03/08	MKJ	BG	5700743	B
DETAIL P ADDED FOR UREA TANKS. OIL TANK POSITIONS WITH 70 LITRE UREA TANK ADDED TO DETAIL L.	14/02/08	MKJ	BG	5700722	A

modification description	date	drawn by	auth by	mod. no.	issue
--------------------------	------	----------	---------	----------	-------

general tolerances	tolerance principle	title			
for drawing interpretation, see DAF standard.	material	<b>DETAILS L &amp; P</b> <b>FA LF 45 Euro4/5 7.5-12T</b>			
surfaces/corners	heat/surface treatment				
authorised by	date	paint specification	third angle projection	size	scale
K. WILLIAMS				SP	1:20
drawn by	date	prod. grp. spec.	spec. indicat.	sheet	
D. SMETHURTS	15/09/06			1 of 2	
source	replacement for	replaced by		model number	
				drawing/issue number	
				<b>NSEA310/D</b> CAD Pro/ENGINEER	