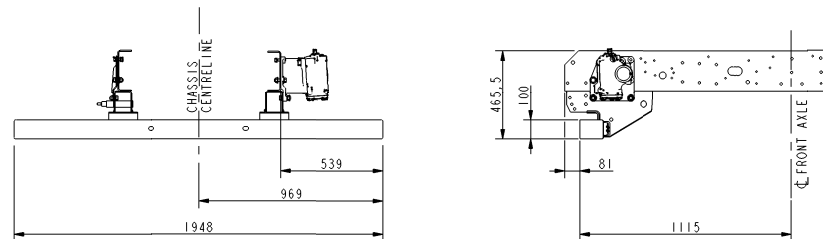
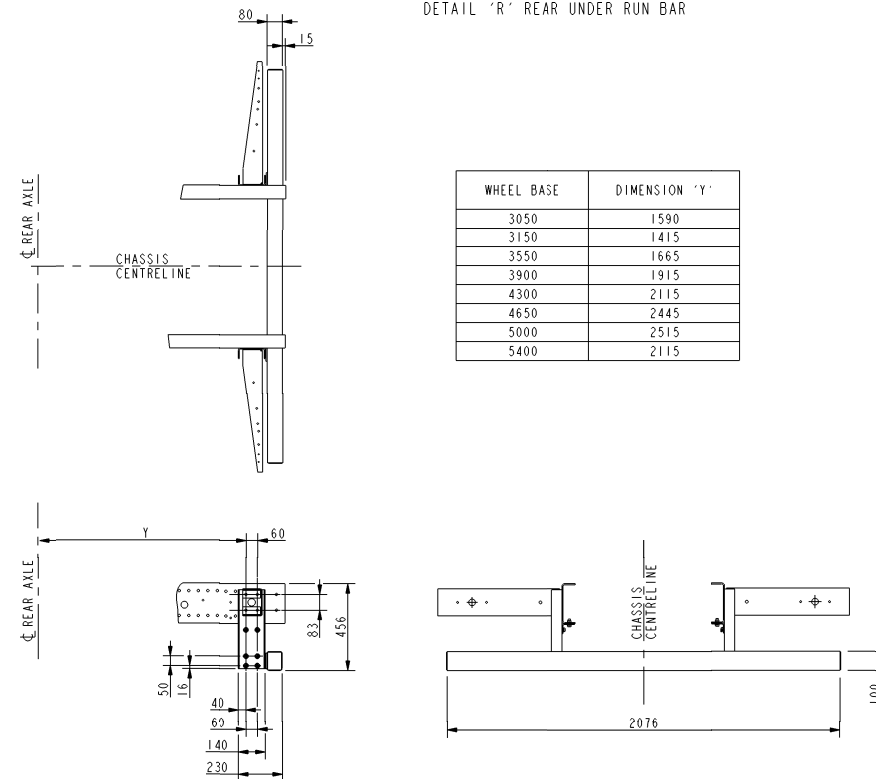


DETAIL 'R' FRONT UNDER RUN BAR



DETAIL 'R' REAR UNDER RUN BAR



WHEEL BASE	DIMENSION 'Y'
3050	1590
3150	1415
3550	1665
3900	1915
4300	2115
4650	2445
5000	2515
5400	2115

GEEN MATEN VAN TEKENING OPMETEN.  
WIJZIGINGEN ZONDER VOORAFGAANDE KENNISGEVING VOORBEHOUDEN.  
VOOR UITVOERING VAN HET VOERTUIG RAADPLEEGE MEN DE ORDERBEVESTIGING.

DO NOT SCALE DRAWING.  
SUBJECT TO MODIFICATION WITHOUT PRIOR NOTICE.  
PLEASE SEE NOTE FOR DEFINITE VEHICLE EXECUTION.

NE RIEN RELEVANT DU DESSIN.  
SOUS RESERVE DE MODIFICATIONS SANS AVIS PREALABLE.  
VEUILLEZ CONSULTER LE BON DE COMMANDE POUR L'EQUIPEMENT DU VEHICULE CONCERNE.

KEINE ZEICHNUNGSMASSE AUFMESSEN.  
ÄNDERUNGEN OHNE VORANKÜNDIGUNG VORBEHALTEN.  
DIE AUSFÜHRUNG DES BETREFFENDEN FÄHRZEUGS ENTNEHME MAN DER AUFTRAGSBESTÄTIGUNG.

modification description		date	drawn by	auth by	mod.no.	issue
general tolerances		tolerance principle		title		
for drawing interpretation, see DAF standard:		material		DETAIL R FA LF EURO 5 (NON EU) 7.5-12T		
surfaces/corners		heat/surface treatment		size	scale	sheet
authorised by		date	paint specification		third angle projection	This drawing is the property of DAF - Trucks N.V. Eindhoven, The Netherlands and may not be copied in whole or in part without the prior written consent of the owner.
drawn by		date	prod.grp.spec.	spec. radical.	drawing/issue number	
source		replacement for		replaced by		CAD Pro/ENGINEER