

DETAILS D.

GEEN MATEN VAN TEKENING OPMETEN.
 WIJZIGINGEN ZONDER VOORAFGAANDE KENNISGEVING VOORBEHOUDEN.
 VOOR UITVOERING VAN HET VOERTUIG RAADPLEGE
 MEN DE ORDERBEVESTIGING.
 VOOR AFMETINGEN VAN DE LANGSLIGGERS ZIE DETAIL:B.

DO NOT SCALE DRAWING.
 SUBJECT TO MODIFICATION WITHOUT PRIOR NOTICE.
 PLEASE SEE NOTE FOR DEFINITE VEHICLE LAY-OUT.
 FOR THE SECTIONAL DIMENSIONS OF THE MAIN GIRDERS,
 SEE DETAIL:B.

NE RIEN RELEVER DU DESSIN.
 SOUS RESERVE DE MODIFICATIONS SANS AVIS PREALABLE.
 VEUILLEZ CONSULTER LE BON DE COMMANDE
 POUR L EQUIPEMENT DU VEHICULE CONCERNE.
 EN CE QUI CONCERNE LA SECTION DES LONGERONS VOIR DETAIL:B.

KEINE ZEICHNUNGSMASSE AUFMESSEN.
 ANDERUNGEN OHNE VORANKUNDIGUNG VORBEHALTEN.
 DIE AUSFUHRUNG DES BETREFFENDEN FAHRZUEGS
 ENTNEHME MAN DER AUFTRAGSBESTATIGUNG.
 FUR DIE SCHNITTMASSE DER LANGSTRAGER SIEHE DETAIL:B.

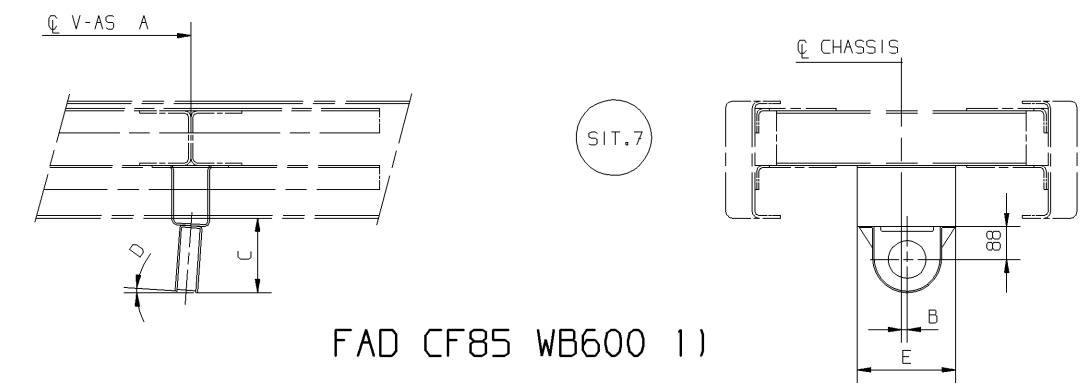
"D" = DAGKABINE DAY KAB CABINE COURTE NORMALFAHRERHAUS
 "SL" = SLAAPKABINE SLEEPER KAB CABINE PROFONDE FERNFAHRERHAUS
 "SH" = SLAAPHOOGKABINE HIGH-ROOF SLEEPER KAB CABINE PROFONDE SURELEVEE GROÛRAUMFERNFAHRERHAUS

Q V-AS = Q-VOORAS -FRONT AXLE -ESSIEU AVANT -VORDERACHSE
 Q A-AS = Q-ACHTERAS -REAR AXLE -ESSIEU ARRIERE -HINTERACHSE
 Q TANDEM = Q-TANDEM -TANDEM -TANDEM -TANDEM

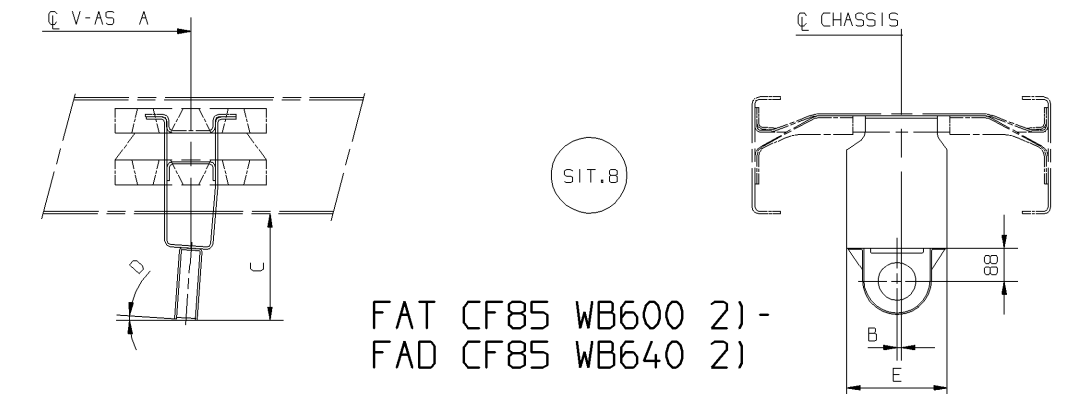
1) = BLADVERING - VOOR + ACHTER LEAF SUSPENSION - FRONT + REAR SUSPENSION A LAMES - AVANT + ARRIERE BLATTFEDERUNG - VORN + HINTEN
 Q SLEEPAS = Q-SLEEPAS -TRAILLING AXLE -ESSIEU FOU -NACHLAUFACHSE

2) = BLADVERING - VOOR + LUCHTVERING -ACHTER LEAF SUSPENSION - FRONT + AIR SUSPENSION - REAR SUSPENSION PNEUMATIQUE -ARRIERE BLATTFEDERUNG - VORN + LUFTFEDERUNG - HINTER

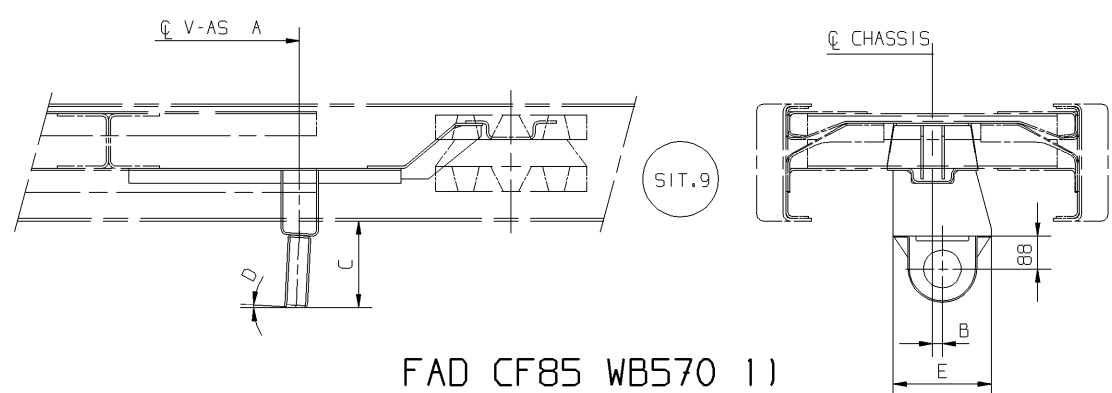
3) = LUCHTVERING - VOOR + ACHTER AIR SUSPENSION - FRONT + REAR SUSPENSION PNEUMATIQUE - AVANT + ARRIERE LUFTFEDERUNG - VORN + HINTEN
 Q-KAB = Q-KABINE -KAB -CABINE -FAHRERHAUS



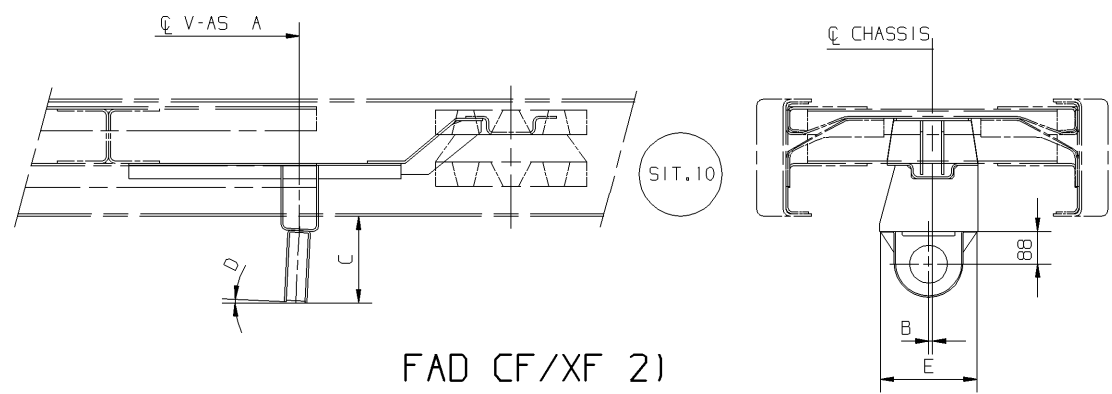
FAD CF85 WB600 1)



FAT CF85 WB600 2) -
FAD CF85 WB640 2)



FAD CF85 WB570 1)



FAD CF/XF 2)

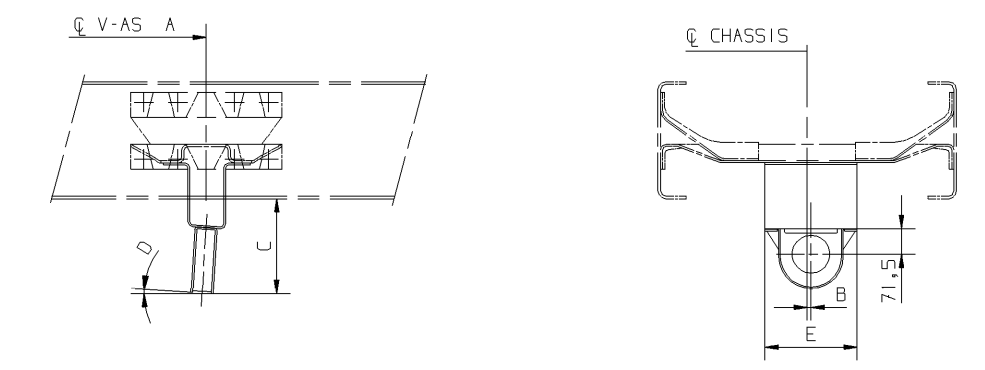
FAT CF85 - FAD CF/XF							
Type	Sit.	WB	A	B	C	D	E
FAT CF85 2)	8	WB600	3005	10	209	2*	266
FAD CF/XF 2)	10	WB570	2745	10	161	0*	266
FAD CF85 1)	9	WB570	2980	11	230	3*	260
FAD CF/XF 2)	10	WB600	2745	10	161	0*	266
FAD CF85 1)	7	WB600	2475	15	196	3*	269
FAD CF85 2)	8	WB640	3390	10	162	0*	266

FAT CF85 - FAD CF/XF 2)



FA CF

WB	A	B	C	D	E
WB530	2900	6	256	4,5*	244
WB570	3045	18	239	3,5*	280



FAS CF

DETAIL: D

modification description		date	drawn by	auth. by	mod.no.	issue
general tolerances	tolerance principle	DETAILS D T/M F CF75/85 - XF105 AUSTRALIE - NEW ZEALAND Proj. 10686				
for drawing interpretation, see DAF standards	material					
surfaces/corners	heat/surface treatment	size	scale	sheet	model number	
	/	SP	1:20	1 of 2		
authorised by	date	paint specification	third angle projection	This drawing is the property of DAF-Trucks N.V. Eindhoven, the Netherlands and may not be copied in whole or in part without the prior written consent of the owner.		
drawn by	date	prod.grp spec.	spec. indicat.	drawing/issue number		
R. Bosmans	061216			DAF 1743792/00		
source	replacement for	replaced by		CAD Unigraphics II		