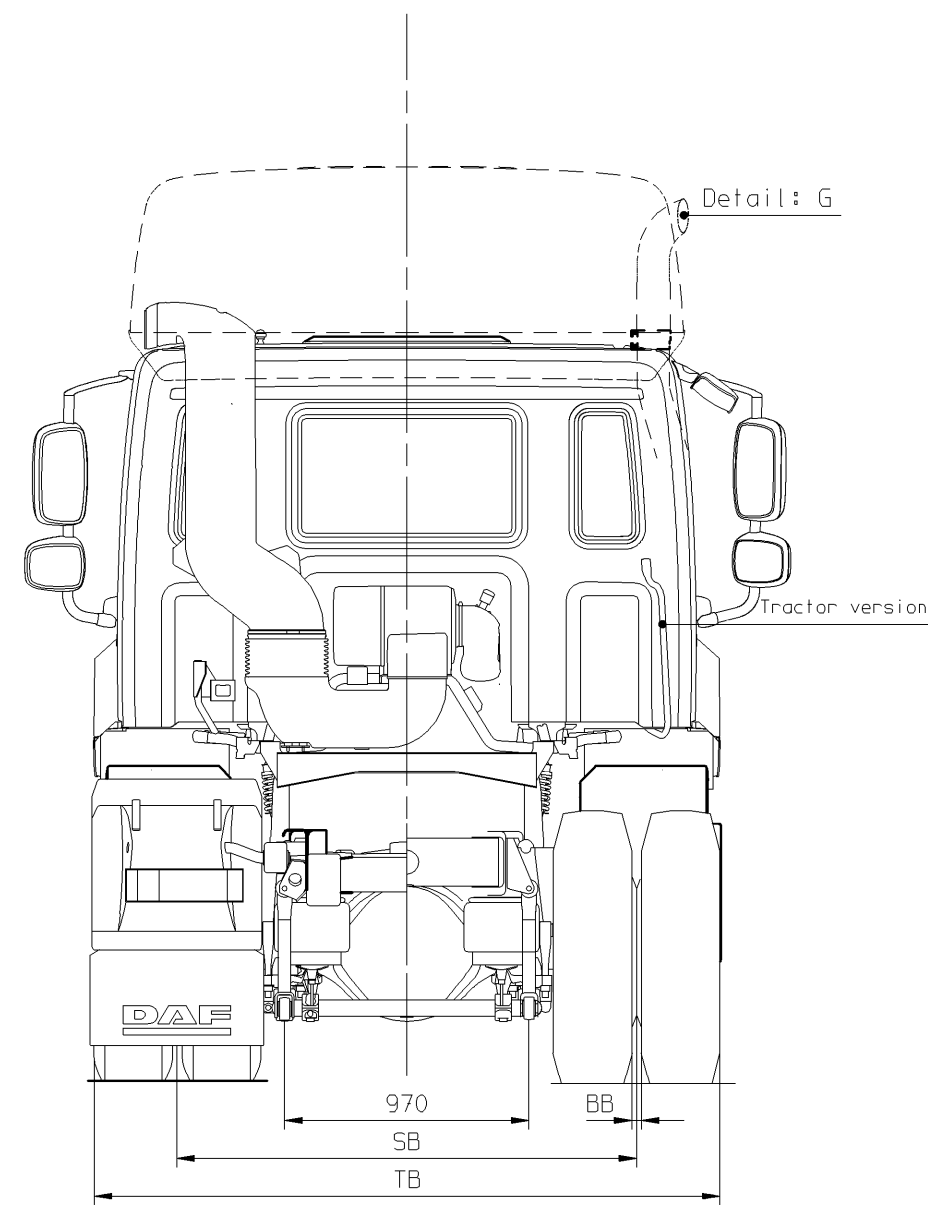


Suspension REAR CF75/85 Euro 4/5	
FT/FTG/FTP/FA/FAG	AIR Suspension
FT/FA/FAG/FTS/FAS	LEAF Suspension
FAN/FAX	AIR Suspension
FTS/FAS/FAR/FAC	AIR Suspension
FTT/FAD	TRAP,-PAR,-AIR Suspension
FAT	TRAP,-AIR Suspension

Getekende situatie.
Drawing represents.
Le plan se rapporte au.
Situation auf Zeichnung.

FT/FA CF85
LHD D-cab.
LUVÉ ACHTER

FT/FTG/FTP/FA/FAG AIR SUSPENSION REAR



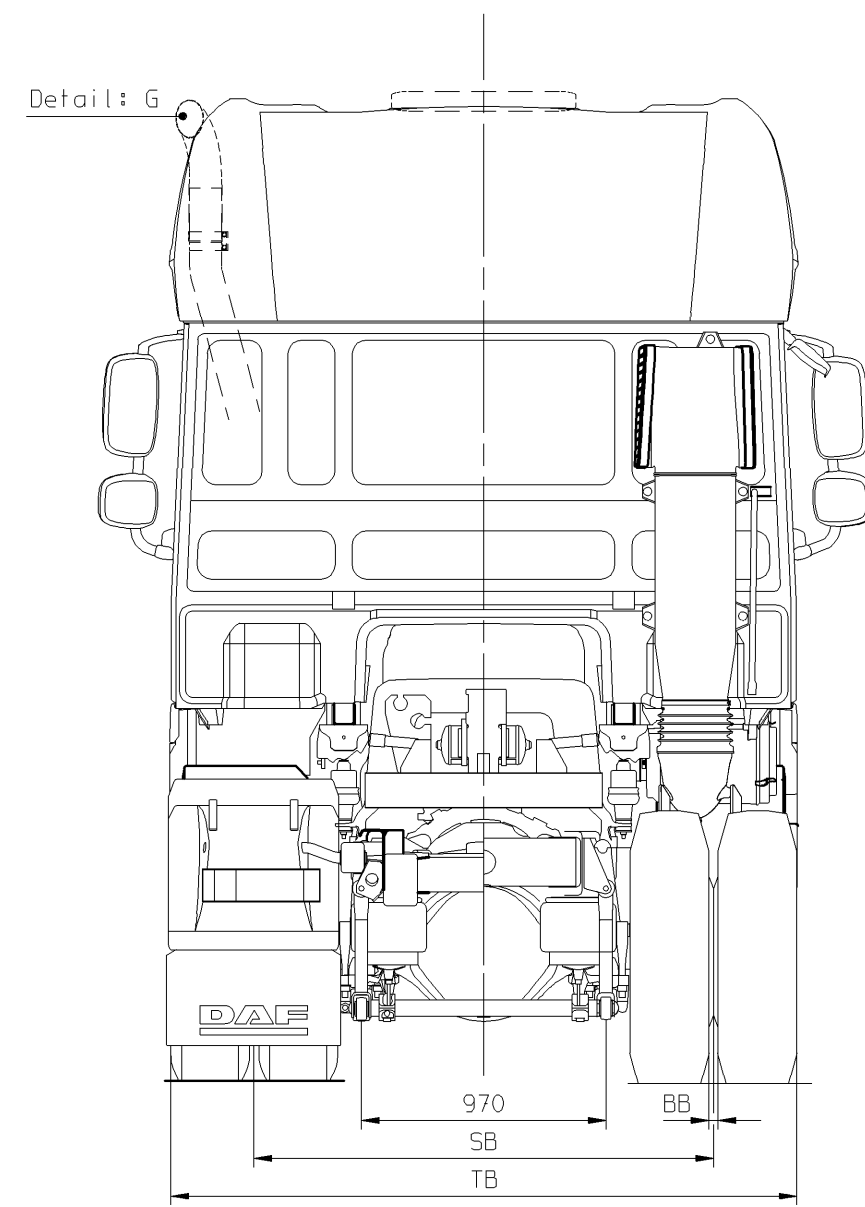
Left side TRACTOR-VERSION Right side TRUCK-VERSION

Suspension REAR XF105	
FT/FTG/FTP/FA/FT LD	AIR Suspension
FAS	LEAF Suspension
FTS/FTR/FAS/FAR/FAN/FAK	AIR Suspension
FTT	TRAP,-PAR,-AIR Suspension
FTM/FAT/FAD	TRAP,-AIR Suspension

Getekende situatie.
Drawing represents.
Le plan se rapporte au.
Situation auf Zeichnung.

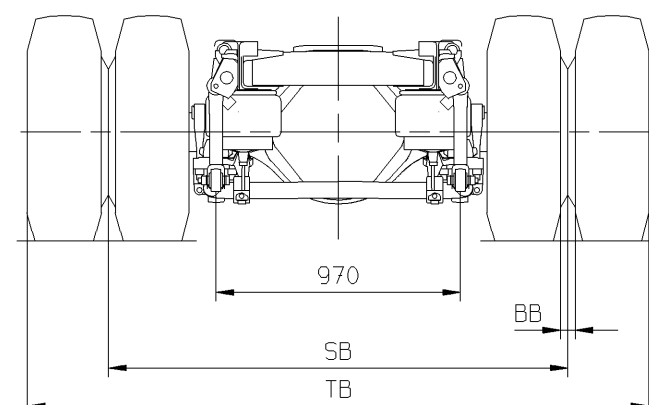
FT/FA XF105
LHD XC-cab.
LUVÉ ACHTER

FT/FTG/FTP/FA AIR SUSPENSION REAR

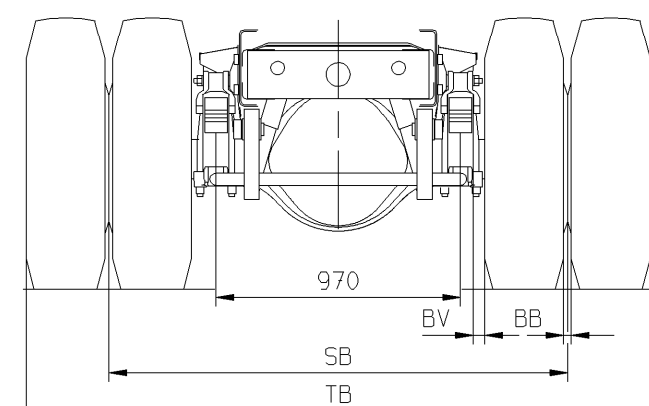


Left side TRACTOR-VERSION Right side TRUCK-VERSION

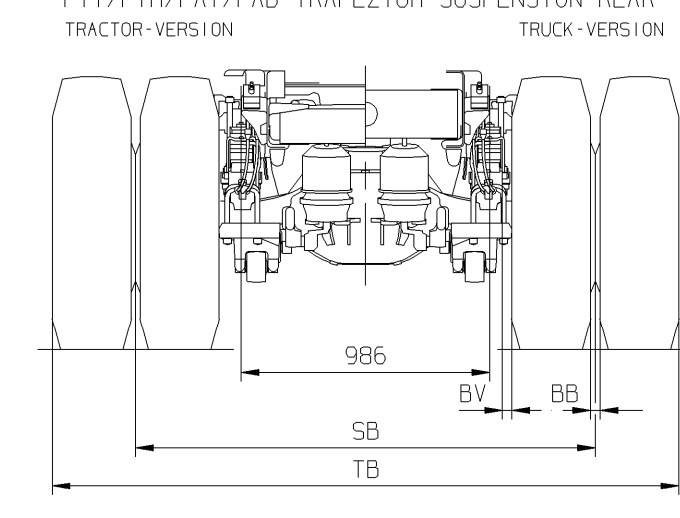
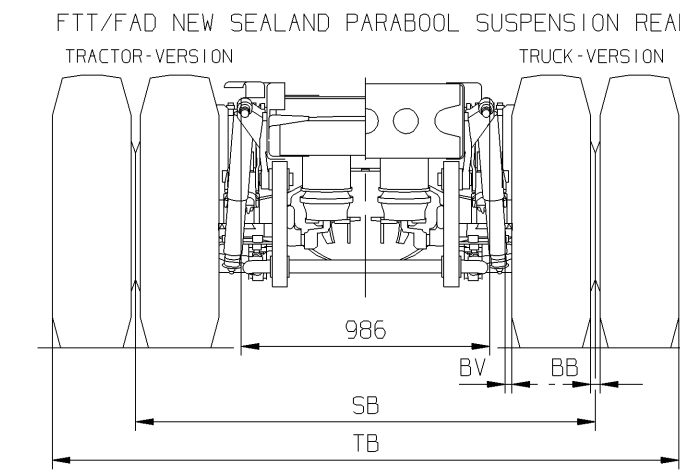
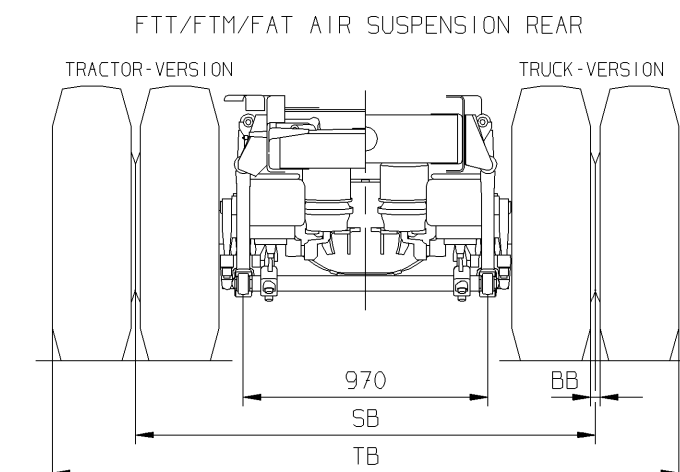
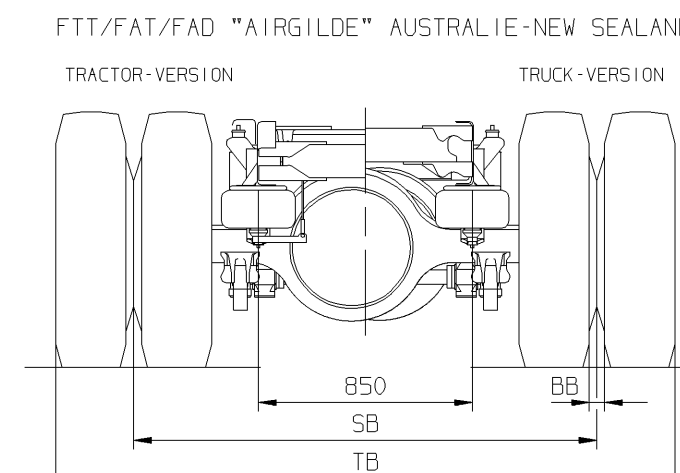
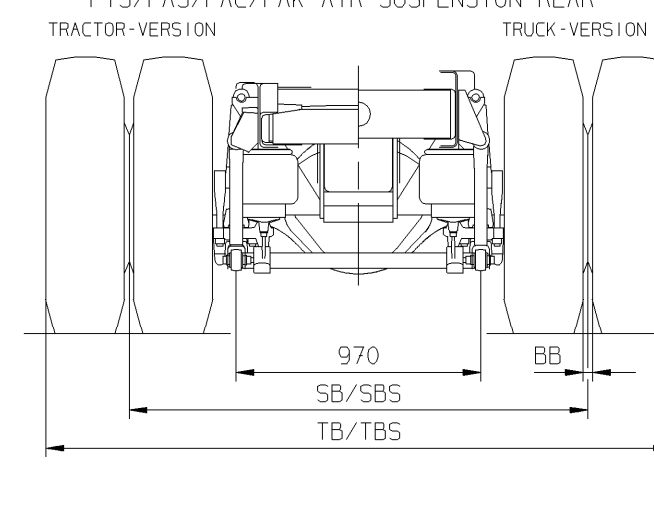
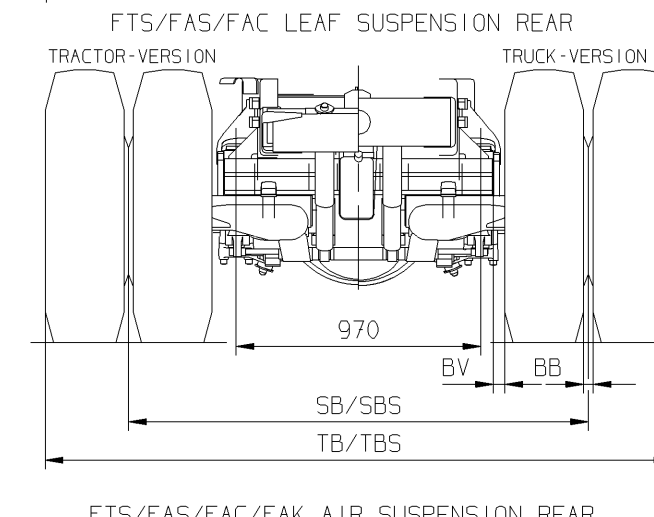
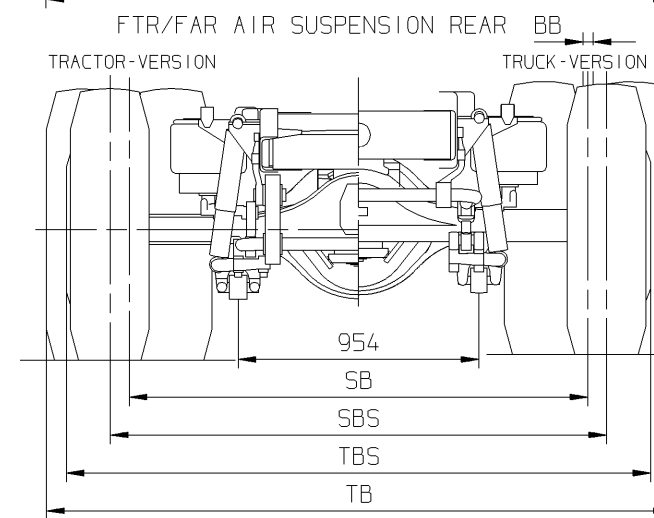
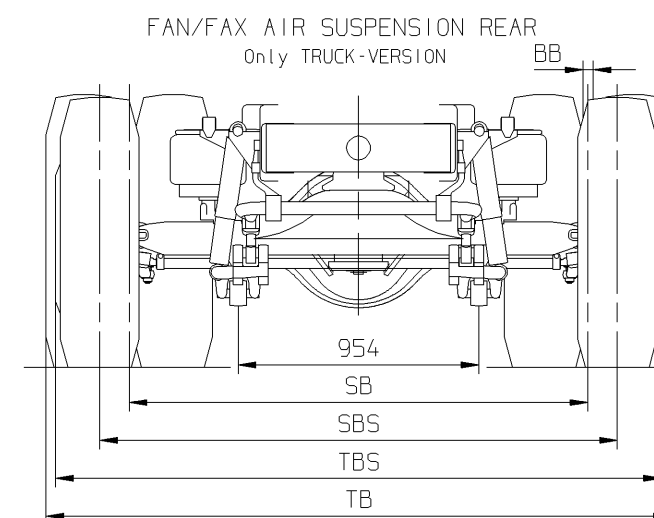
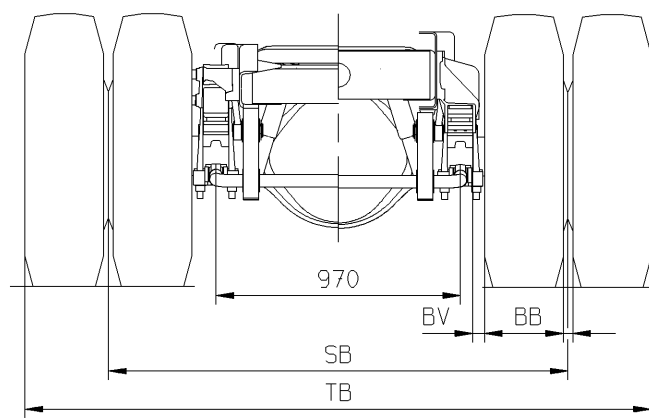
FT Low-Deck AIR SUSPENSION REAR
Only TRUCK-VERSION



FA/FAG REAR SHORT SPRINGS
Only TRUCK-VERSION



FT/FA/FAG LEAF SUSPENSION REAR
TRACTOR-VERSION TRUCK-VERSION



- *GEEN MATEN VAN TEKENING OPMETEN.
- *WIJZIGINGEN ZONDER VOORAFGAANDE KENNISGEVING VOORBEHOUDEN.
- *VOOR UITVOERING VAN HET VOERTUIG RAADPLEGE MEN DE ORDERBEVESTIGING.
- *DO NOT SCALE DRAWING.
- *SUBJECT TO MODIFICATION WITHOUT PRIOR NOTICE.
- *PLEASE SEE NOTE FOR DEFINITE VEHICLE EXECUTION.
- *NE RIEN RELEVER DU DESSIN.
- *SOUS RESERVE DE MODIFICATIONS SANS AVIS PREALABLE.
- *VEUILLEZ CONSULTER LE BON DE COMMANDE POUR L'EQUIPEMENT DU VEHICULE CONCERNE.
- *KEINE ZEICHNUNGSMASSE AUFMESSEN.
- *AENDERUNGEN OHNE VORANKUNDIGUNG VORBEHALTEN.
- *DIE AUSFUHRUNG DES BETREFFENDEN FAHRZEUGS ENTNEHME MAN DER AUFTRAGSBESTAETIGUNG.

CF-kabine: Spiegels gewijzigd.(D.M.R.'s 18144+18233)	070918	RBO	10663	03
CF-kabine: Topsleeper met sky lights toegevoegd.(Pr. 10847)			10663	02
Voertuigtype CF75/85 Euro 4/5 toegevoegd.(layout)	051202	RBO	10663	01
Voertuigtype XF105 was Xf 95.(layout)	050824	RBO	10663	01
modification description	date	drawn by	auth. by	mod.no.
general tolerances	tolerance principle	title		
for drawing interpretation, see DAF standards	material	ACHTERASOPH. CF-XF SUSPENSION REAR CF-XF		
surfaces/corners	heat/surface treatment	size	scale	sheet
	/	SP	1:30	1 of 1
authorised by	date	paint specification	third angle projection	model number
R. Bosmans	051202			This drawing is the property of DAF-Trucks N.V. Eindhoven, the Netherlands and may not be copied in whole or in part without the prior written consent of the owner.
drawn by	date	prod.grp spec.	spec. indicat.	drawing/issue number
				1668120/03
source	replacement for	replaced by	CAD Unigraphics II	