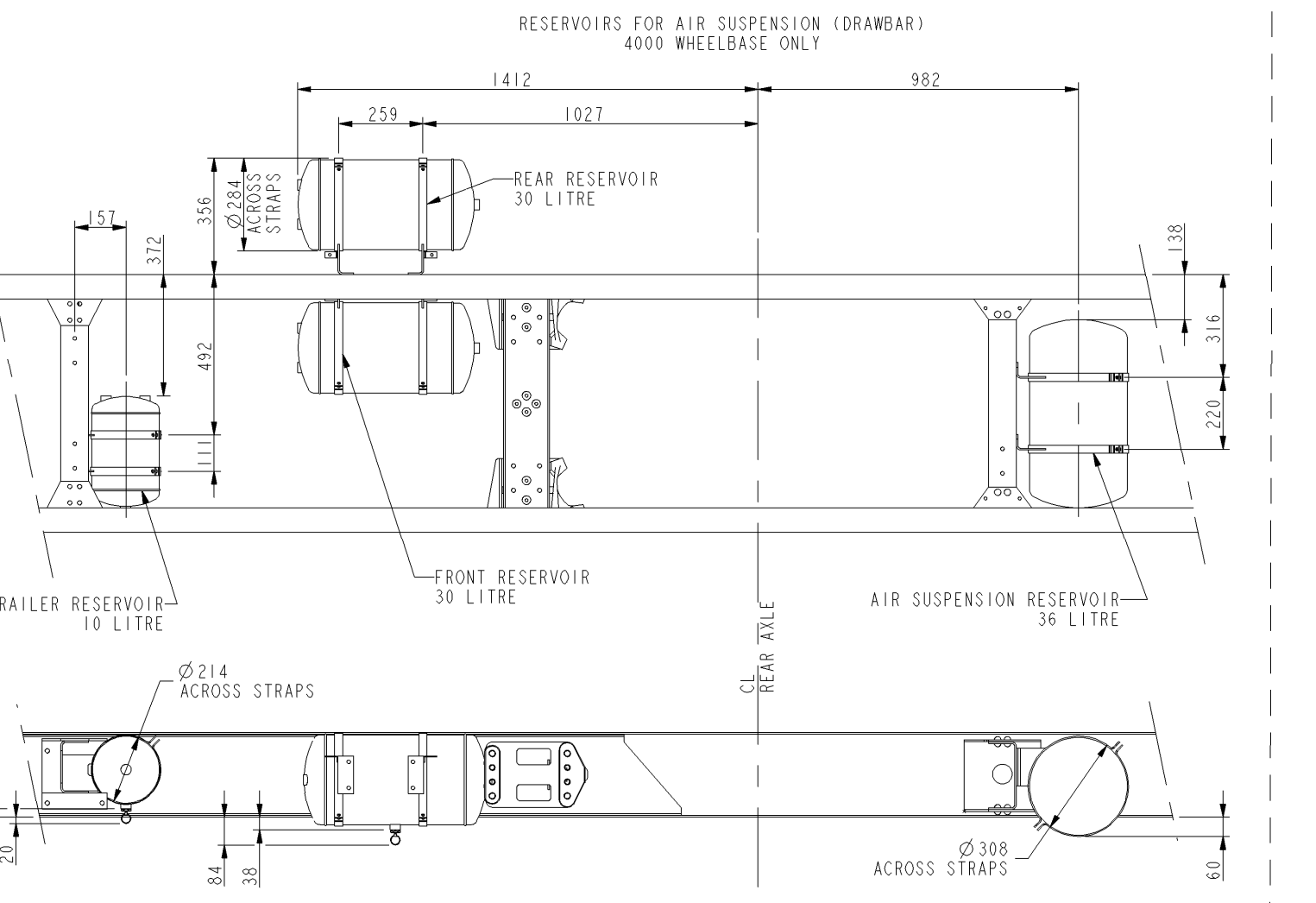
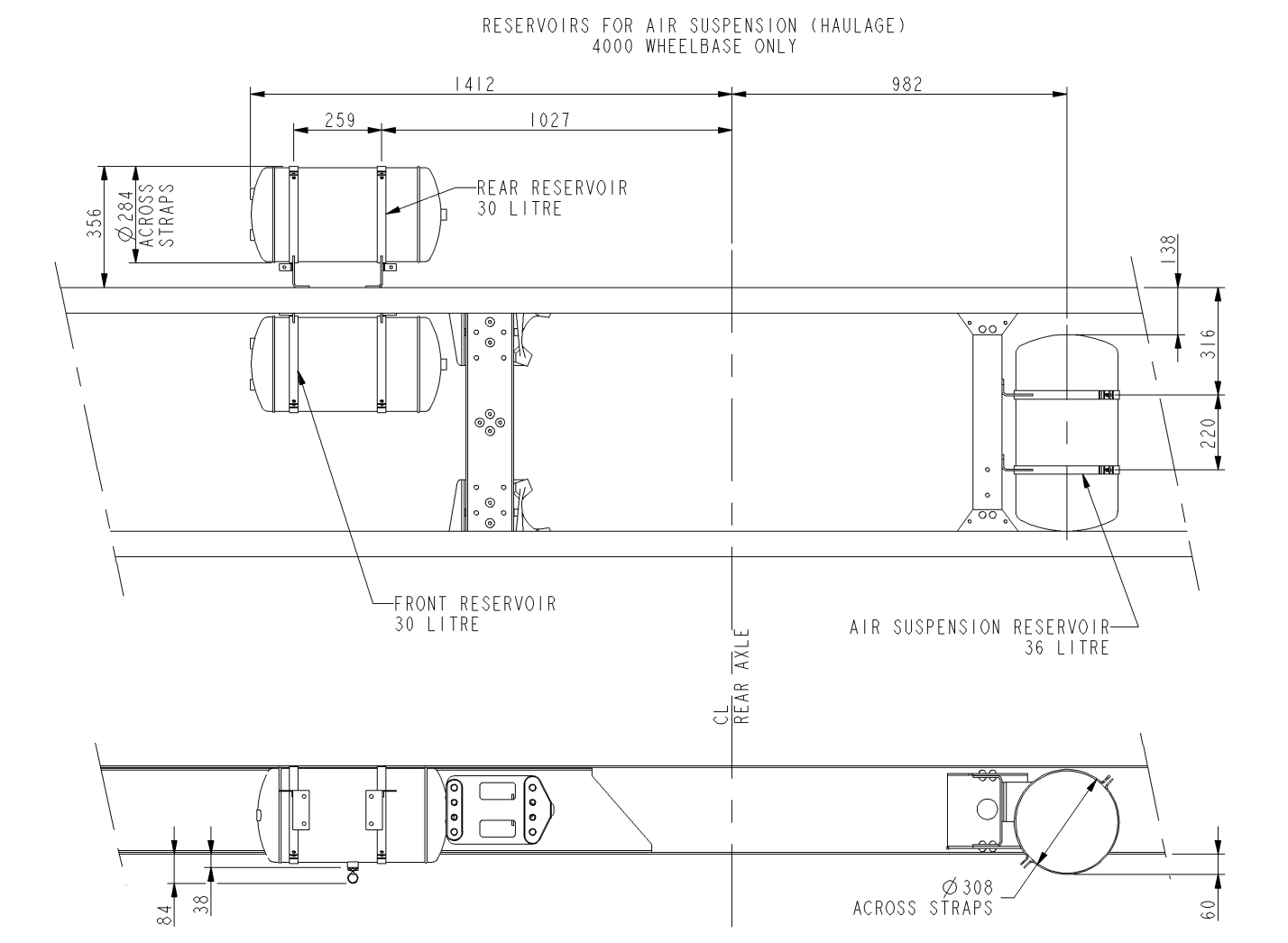
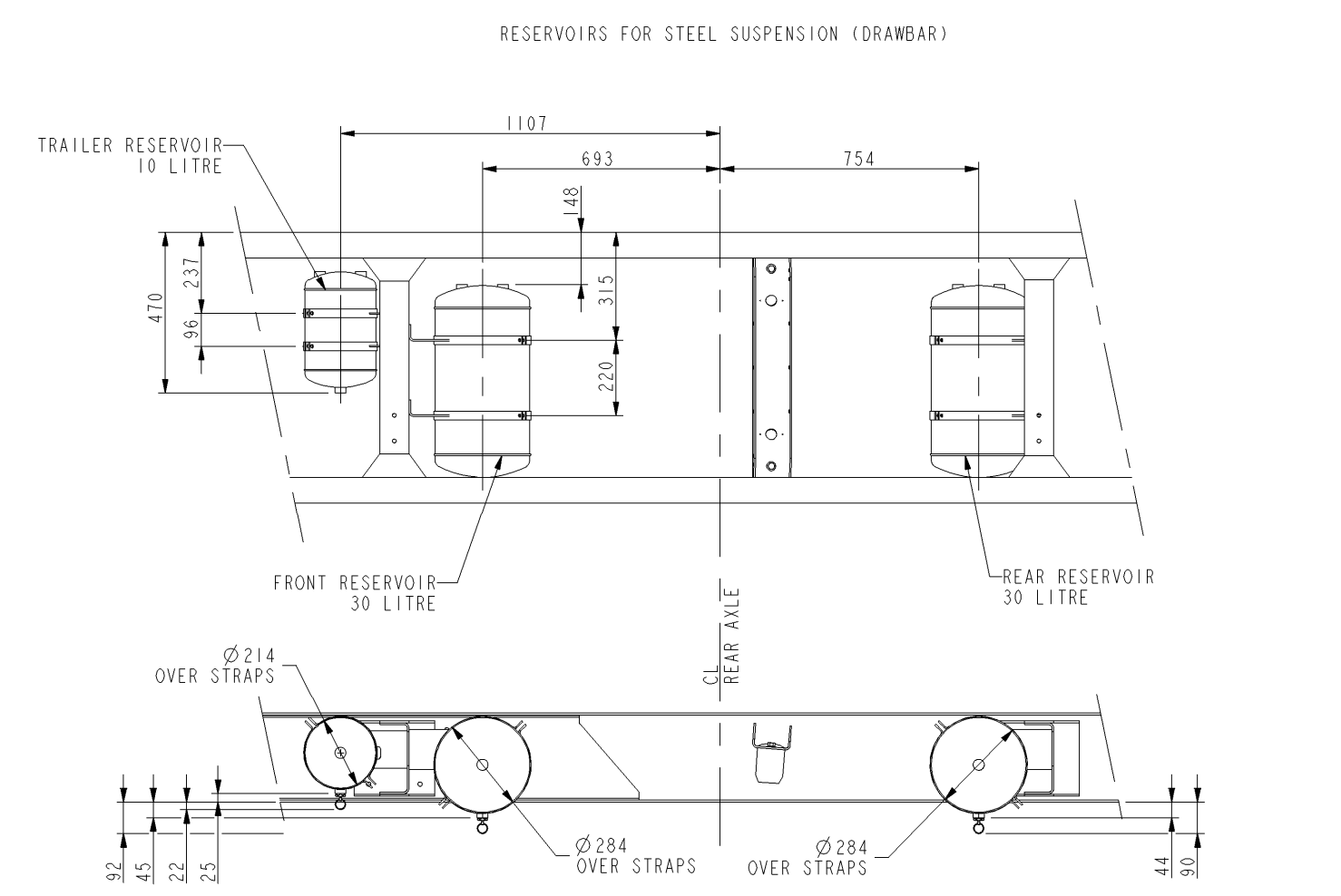
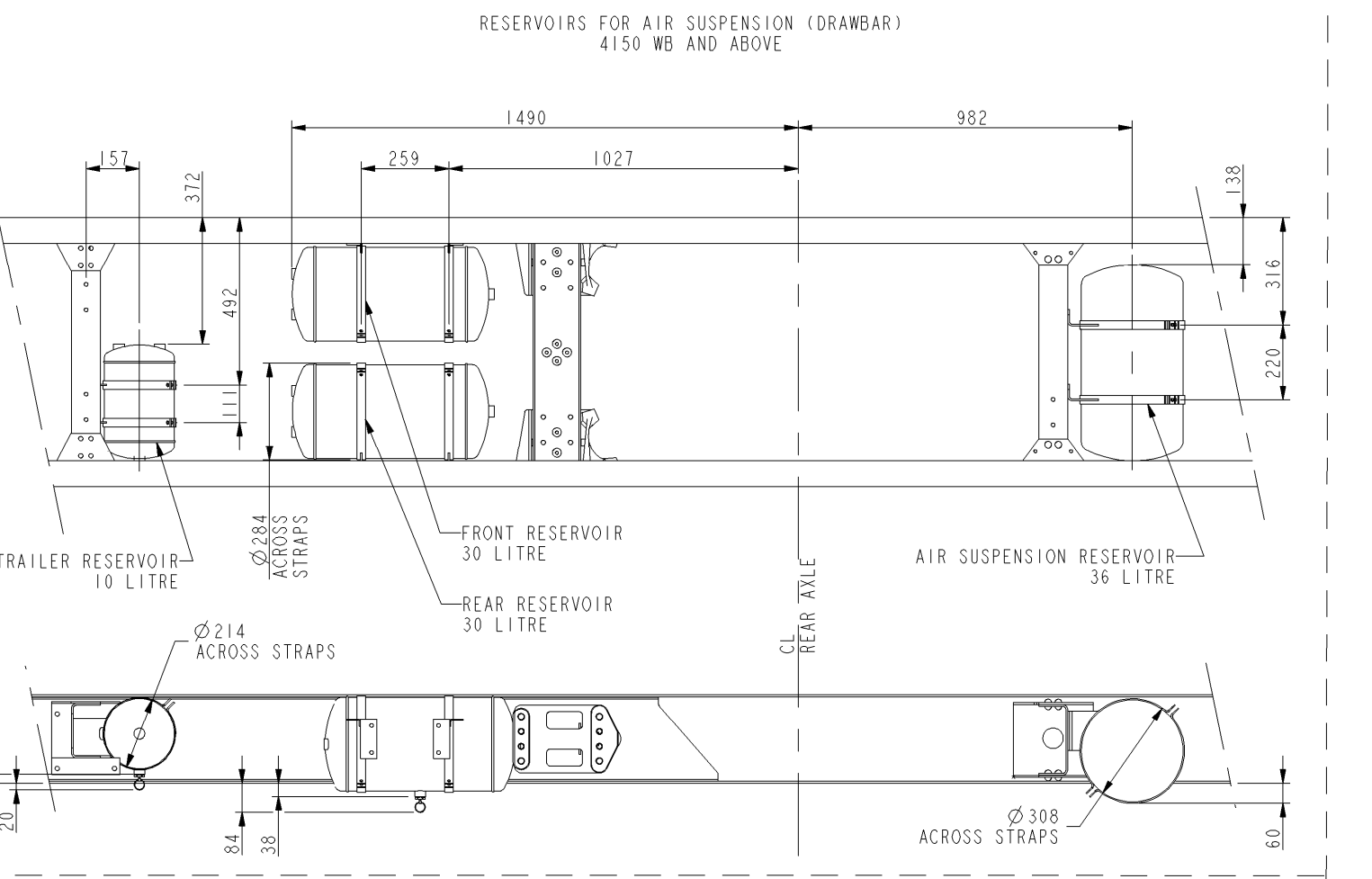
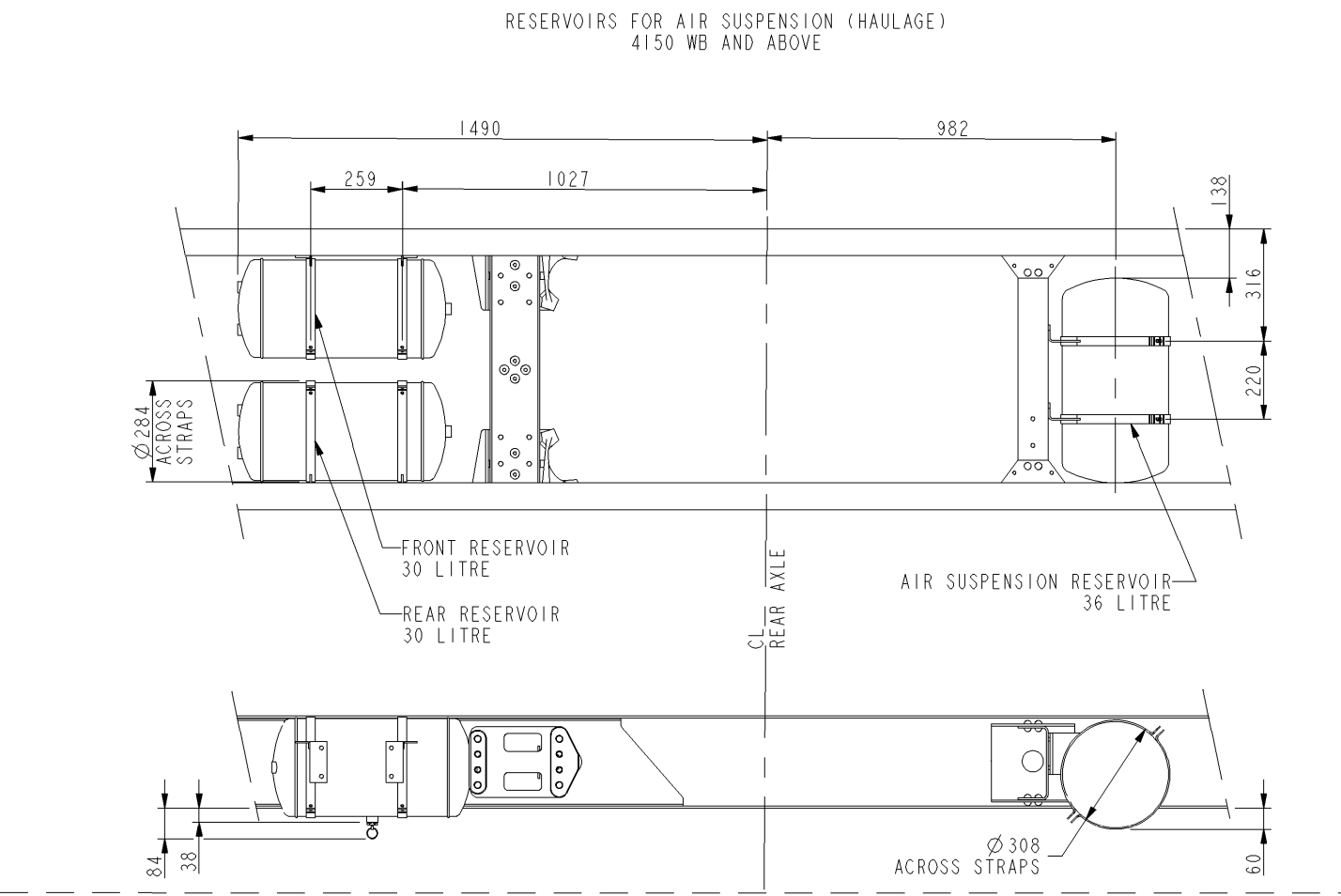
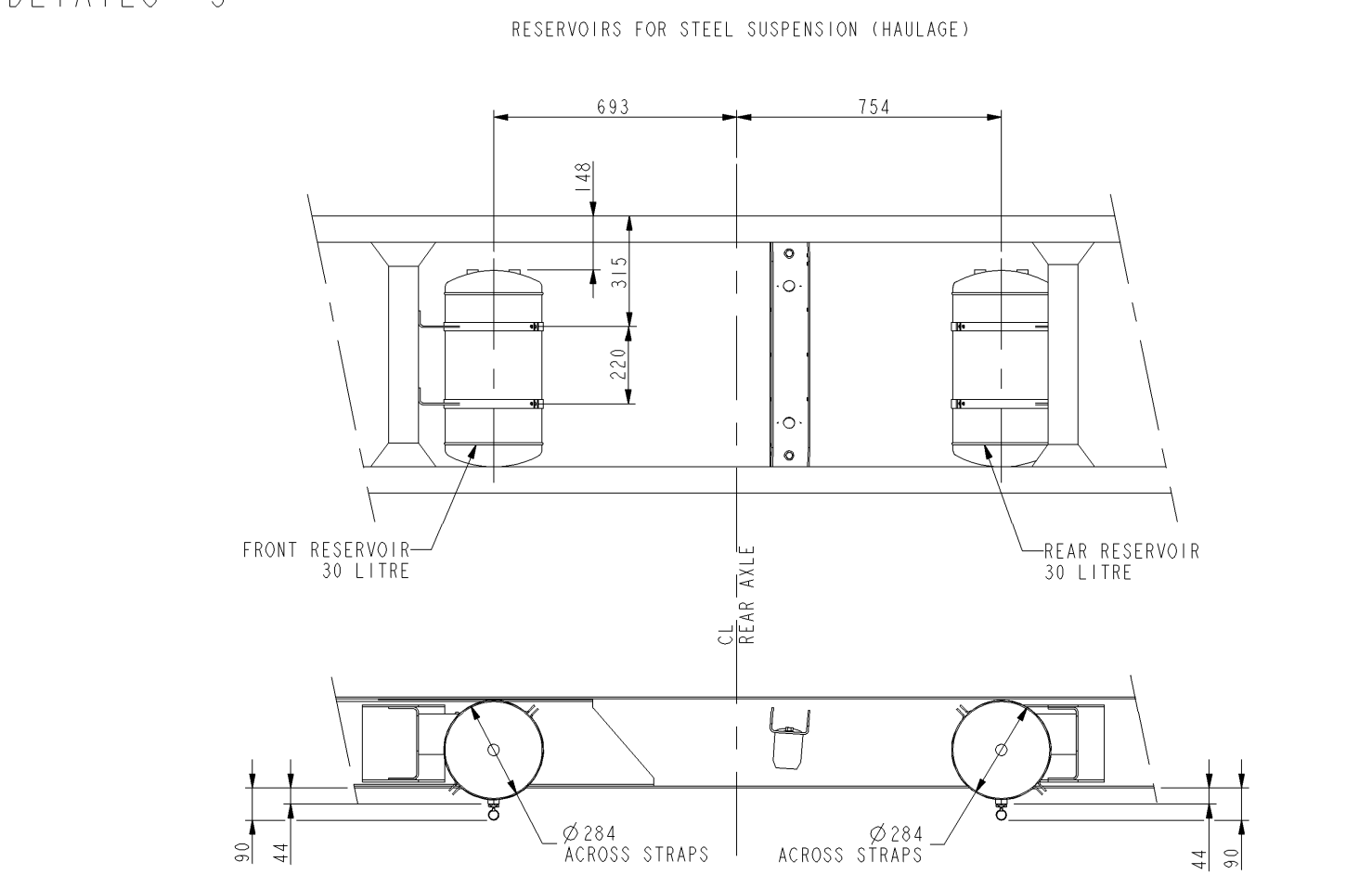


DETAILS 'J'



NOTES:

GEEN MATEN VAN TEKENING OPMETEN.
WIJZIGINGEN ZONDER VOORAFGAANDE KENNISGEVING VOORBEHOUDEN.
VOOR UITVOERING VAN HET VOERTUIG RAADPLEGE
MEN DE ORDERBEVESTIGING.
VOOR AFMETINGEN VAN DE LANGSLIGGERS ZIE DETAIL:C.

DO NOT SCALE DRAWING.
SUBJECT TO MODIFICATION WITHOUT PRIOR NOTICE.
PLEASE SEE NOTE FOR DEFINITIVE VEHICLE LAY-OUT.
FOR THE SECTIONAL DIMENSIONS OF THE MAIN GIRDERS, SEE DETAIL:C.

NE RIEN RELEVER DU DESSIN.
SOUS RESERVE DE MODIFICATIONS SANS AVIS PREALABLE.
VEUILLEZ CONSULTER LE BON DE COMMANDE
POUR LE EQUIPEMENT DU VEHICULE CONCERNE
EN CE QUI CONCERNE LA SECTION DES LONGERONS VOIR DETAIL:C.

KEINE ZEICHNUNGSMASSE AUFMESSEN.
ÄNDERUNGEN OHNE VORANKÜNDIGUNG VORBEHALTEN.
DIE AUSFÜHRUNG DES BETREFFENDEN FAHRZEUGS
ENTNEHME MAN DER AUFTRAGSBESTÄTIGUNG.
FÜR DIE SCHNITTMASSE DER LANGSTRAGER SIEHE DETAIL:C.

In title block Euro 4 is updated to Euro 4/5.		10/03/08	MKJ	BG	5700743	A
modification description		date	drawn by	auth by	mod.no.	issue
general tolerances	tolerance principle	DETAIL - J FA CF 65 Euro 4/5				
for drawing interpretation, see DAF standard.	material					
surfaces/corners	heat/surface treatment	size	scale	sheet	model number	
authorised by	date	paint specification	third angle projection	This drawing is the property of DAF - Trucks N.V. Eindhoven, The Netherlands and may not be copied in whole or in part without the prior written consent of the owner.		
drawn by	date	prod.gp.spec.	spec. indicat.	drawing/issue number		
source	replacement for	replaced by		CAD Pro/ENGINEER		