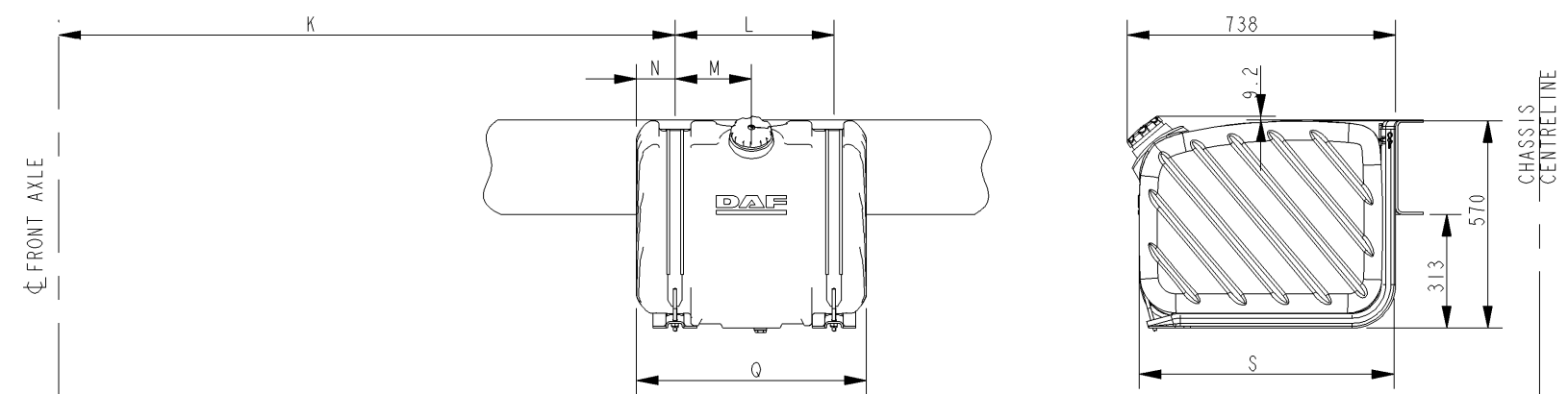


DETAIL 'L' COMPOSITE FUEL TANKS

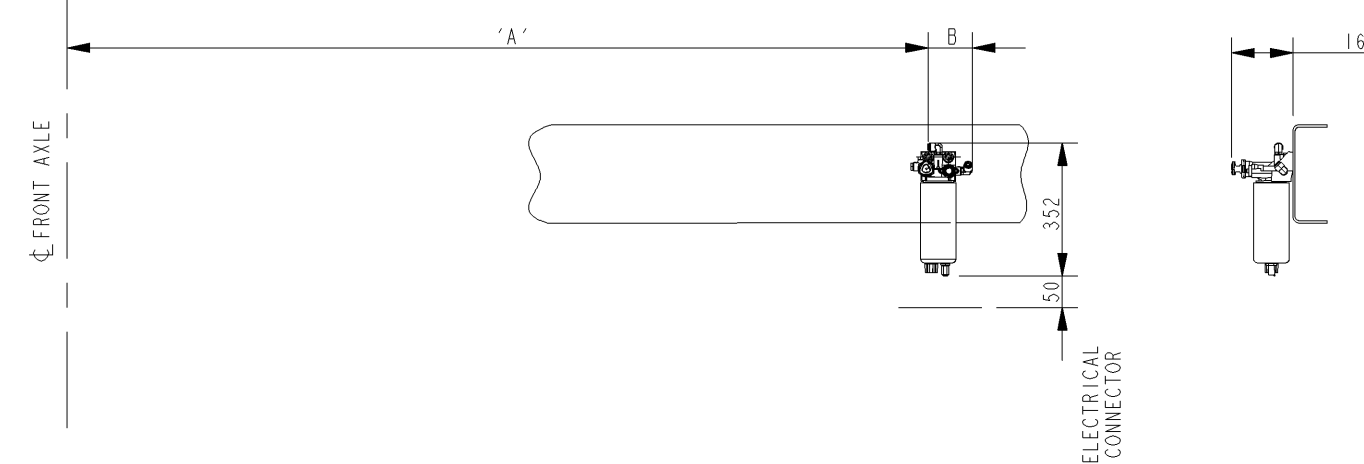


150 LITRE & 200 LITRE FUEL TANK STANDARD POSITION

OIL TANKS POSITIONS WITH 26 LITRE UREA TANK - DIM'N IN 'mm'									
TANK CAPACITY	WHEEL BASE	EXHAUST DISCHARGE	PACKER OF FRAME	DIM 'K'	DIM 'L'	DIM 'M'	DIM 'N'	DIM 'O'	DIM 'S'
150 LITRE	4000 TO 7300	CENTRE, LH (REAR OF TANK)	-	1695.5	437	210	107	633	706
150 LITRE	4000 TO 7300	LH (FORWARD OF TANK), VERTICAL	40	1695.5	437	210	107	633	746
200 LITRE	4000 TO 7300	CENTRE, LH (REAR OF TANK)	-	1695.5	437	218.5	155	747	706
200 LITRE	4000 TO 7300	LH (FORWARD OF TANK), VERTICAL	40	1695.5	437	218.5	155	747	746

OIL TANKS POSITIONS WITH 70 LITRE UREA TANK - DIM'N IN 'mm'									
TANK CAPACITY	WHEEL BASE	EXHAUST DISCHARGE	PACKER OF FRAME	DIM 'K'	DIM 'L'	DIM 'M'	DIM 'N'	DIM 'O'	DIM 'S'
150 LITRE	4000 TO 7300	CENTRE, LH (REAR OF TANK)	-	1695.5	437	210	107	633	706
150 LITRE	4000 TO 7300	LH (FORWARD OF TANK), VERTICAL	40	1695.5	437	210	107	633	746
200 LITRE	4000 TO 7300	CENTRE, LH (REAR OF TANK)	-	1695.5	437	218.5	155	747	706
200 LITRE	4000 TO 7300	LH (FORWARD OF TANK), VERTICAL	40	1695.5	437	218.5	155	747	746

DETAIL 'L' FRAME MOUNTED - REAR OF F/TANK ON SIDE MEMBER



340 LITRE FUEL TANK STANDARD POSITION

OIL TANKS POSITIONS WITH 26 LITRE UREA TANK - DIM'N IN 'mm'									
TANK CAPACITY	WHEEL BASE	EXHAUST DISCHARGE	PACKER OF FRAME	DIM 'K'	DIM 'L'	DIM 'M'	DIM 'N'	DIM 'O'	DIM 'S'
340 LITRE	4000 TO 7300	CENTRE, LH (REAR OF TANK)	-	1512.5	620	302.5	272.5	1150	762
340 LITRE	4000 TO 7300	LH (FORWARD OF TANK), VERTICAL	20	1512.5	620	302.5	272.5	1150	782

OIL TANKS POSITIONS WITH 70 LITRE UREA TANK - DIM'N IN 'mm'									
TANK CAPACITY	WHEEL BASE	EXHAUST DISCHARGE	PACKER OF FRAME	DIM 'K'	DIM 'L'	DIM 'M'	DIM 'N'	DIM 'O'	DIM 'S'
340 LITRE	4150 TO 4750, 5100 TO 5700, 6600 TO 6900	CENTRE, LH (REAR OF TANK)	-	2132.5	620	302.5	272.5	1150	762
340 LITRE	4150 TO 4750, 5100 TO 5700, 6600 TO 6900	LH (FORWARD OF TANK), VERTICAL	20	2132.5	620	302.5	272.5	1150	782
340 LITRE	4900, 6100 & 7300	CENTRE, LH (REAR OF TANK)	-	2222.5	620	302.5	272.5	1150	762
340 LITRE	4900, 6100 & 7300	LH (FORWARD OF TANK), VERTICAL	20	2222.5	620	302.5	272.5	1150	782

W/BASE mm R/SUSP	UREA/FUEL TANK COMBINATIONS - DIMENSIONS 'A' mm						B (mm)
	26/150	70/150	26/200	70/200	26/340	26/430	
4000 STEEL/AIR				2509			117
4150 STEEL/AIR							
4450 STEEL/AIR					2861		
4750 STEEL/AIR							
4900 STEEL/AIR							
5100 STEEL/AIR				2509			
5400 STEEL/AIR							
5700 STEEL/AIR					2861		
6100 STEEL/AIR					2509		
6600 STEEL							
6600 AIR							
6900 STEEL/AIR					2861		
7300 STEEL/AIR					2509		

W/BASE mm	UREA/FUEL TANK COMBINATIONS				B (mm)
	R/SUSP	U/TANK	F/TANK	DIM'N 'A' mm	
4150 & ABOVE	STEEL /AIR	70L	340/430L ALUM	1650.5	108

modification description		date	drawn by	auth by	mod.no.	issue
general tolerances	tolerance principle	<p align="center"><b>DETAILS - L &amp; P</b> <b>FA CF 65 Euro 4/5</b></p>				
for drawing interpretation, see DAF standard.	material					
surfaces/corners	heat/surface treatment	size	scale	sheet	model number	
authorised by	date	paint specification	<p>third angle projection</p>	<p>This drawing is the property of DAF - Trucks N.V. Eindhoven, The Netherlands and may not be copied in whole or in part without the prior written consent of the owner.</p>		
drawn by	date	prod.gp.spec.	spec. indicat.	<p>drawing/issue number</p> <p align="center"><b>NSEA372/C</b></p>		
source	replacement for	replaced by		CAD Pro/ENGINEER		