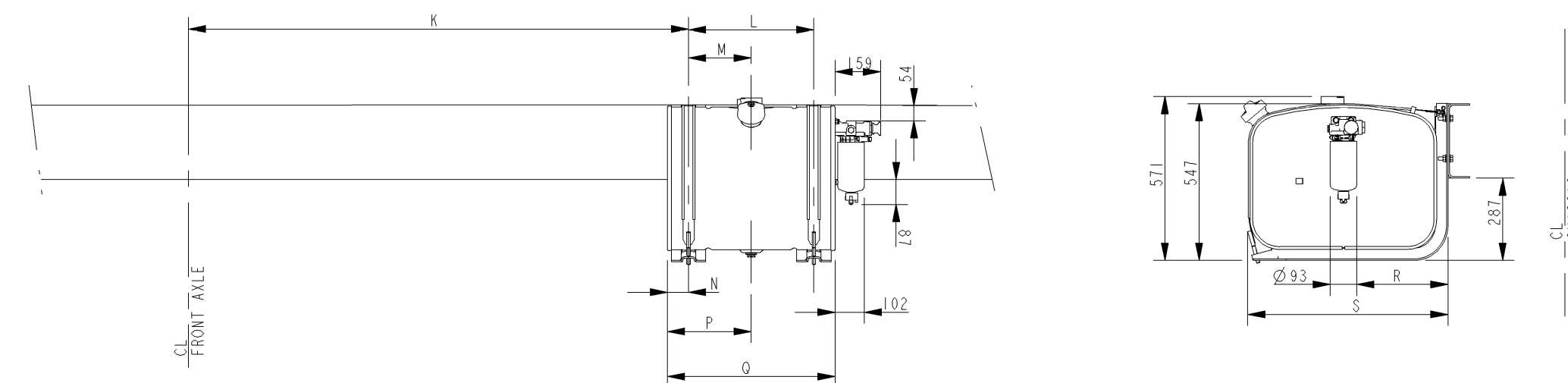


DETAIL L STEEL FUEL TANKS

DETAIL - 150 LITRE, 200 LITRE & 325 LITRE OIL TANKS

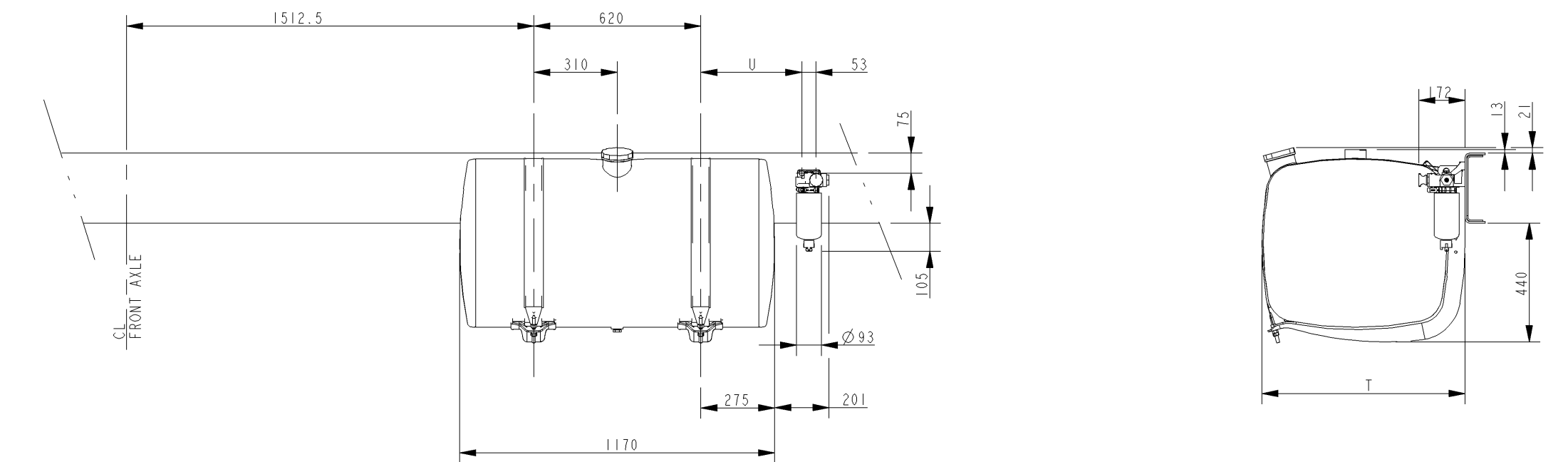


TANK CAPACITY	EXHAUST DISCHARGE	DIM 'K'	DIM 'L'	DIM 'M'	DIM 'N'	DIM 'P'	DIM 'Q'	DIM 'R'	DIM 'S'
150 LITRE	CENTRE, LH (REAR OF TANK)	1695.5	437	219	74	293	585	318	698
150 LITRE	LH (FORWARD OF TANK), VERTICAL	1695.5	437	219	74	293	585	338	718
200 LITRE	CENTRE, LH (REAR OF TANK)	1695.5	437	219	159	488	755	318	698
200 LITRE	LH (FORWARD OF TANK), VERTICAL	1695.5	437	219	159	488	755	338	718

TANK CAPACITY	EXHAUST DISCHARGE	DIM 'K'	DIM 'L'	DIM 'M'	DIM 'N'	DIM 'P'	DIM 'Q'	DIM 'R'	DIM 'S'
325 LITRE	CENTRE, LH (REAR OF TANK)	1512.5	620	310	273	693	1165	318	698
325 LITRE	LH (FORWARD OF TANK), VERTICAL	1512.5	620	310	273	693	1165	338	718

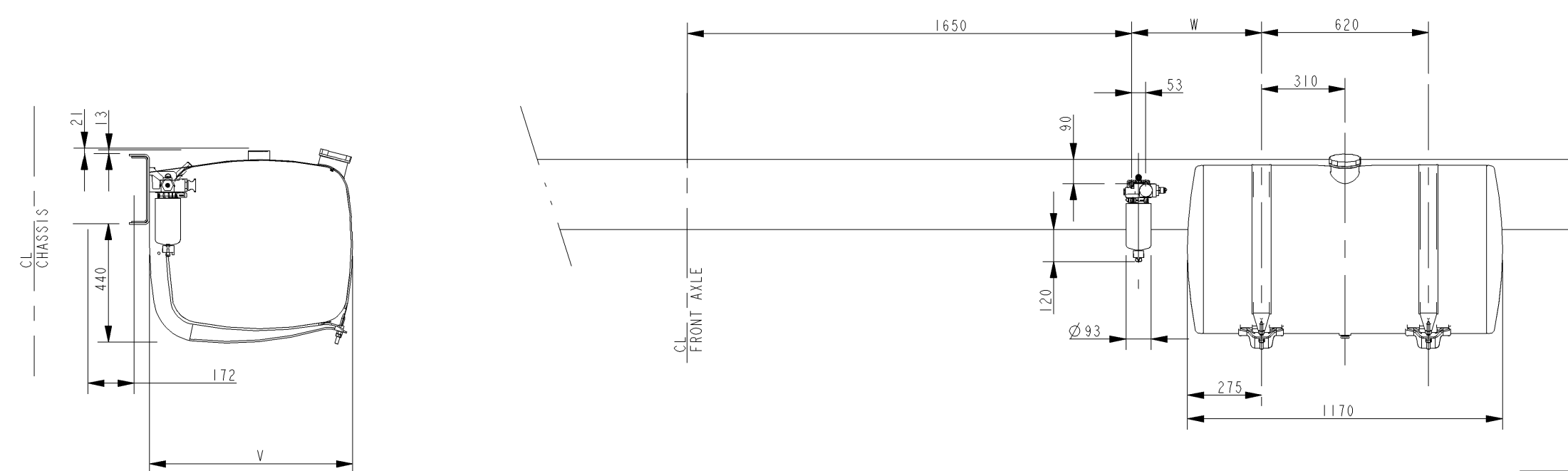
WHEELBASE	EXHAUST DISCHARGE	DIM 'K'	DIM 'L'	DIM 'M'	DIM 'N'	DIM 'P'	DIM 'Q'	DIM 'R'	DIM 'S'
4000	CENTRE, LH (REAR OF TANK)	1512.5	620	310	273	693	1165	318	698
4000	LH (FORWARD OF TANK), VERTICAL	1512.5	620	310	273	693	1165	338	718
4150 TO 4750, 5100 TO 5700, 6600 TO 6900	CENTRE, LH (REAR OF TANK)	2132.5	620	310	273	693	1165	318	698
4150 TO 4750, 5100 TO 5700, 6600 TO 6900	LH (FORWARD OF TANK), VERTICAL	2132.5	620	310	273	693	1165	338	718
4900, 6100, 7300	CENTRE, LH (REAR OF TANK)	2222.5	620	310	273	693	1165	318	698
4900, 6100, 7300	LH (FORWARD OF TANK), VERTICAL	2222.5	620	310	273	693	1165	338	718

DETAIL - 430 LITRE OIL TANK WITH 26 LITRE UREA TANK



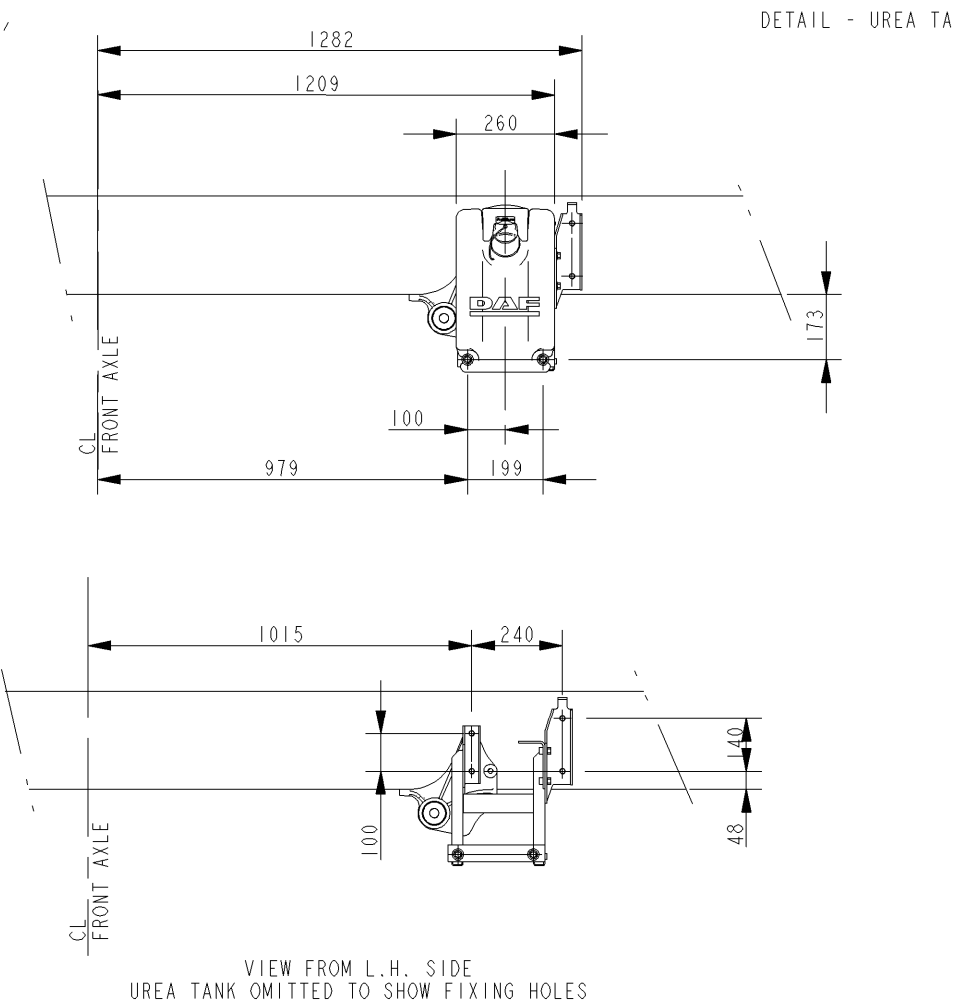
WHEEL BASE	EXHAUST DISCHARGE	DIMENSION 'T'	DIMENSION 'U'
4000	CENTRE, LH (REAR OF TANK)	775	377
4000	LH (FORWARD OF TANK), VERTICAL	775	377
4150	CENTRE, LH (REAR OF TANK)	775	377
4150	LH (FORWARD OF TANK), VERTICAL	775	377
4450	CENTRE, LH (REAR OF TANK)	775	575
4450	LH (FORWARD OF TANK), VERTICAL	775	575
4750	CENTRE, LH (REAR OF TANK)	775	583
4750	LH (FORWARD OF TANK), VERTICAL	775	583
4900	CENTRE, LH (REAR OF TANK)	775	377
4900	LH (FORWARD OF TANK), VERTICAL	775	377
5100	CENTRE, LH (REAR OF TANK)	775	377
5100	LH (FORWARD OF TANK), VERTICAL	775	377
5400	CENTRE, LH (REAR OF TANK)	775	377
5400	LH (FORWARD OF TANK), VERTICAL	775	377
5700	CENTRE, LH (REAR OF TANK)	775	583
5700	LH (FORWARD OF TANK), VERTICAL	775	583
6100	CENTRE, LH (REAR OF TANK)	775	377
6100	LH (FORWARD OF TANK), VERTICAL	775	377
6600 (STEEL SUSPENSION)	CENTRE, LH (REAR OF TANK)	775	377
6600 (STEEL SUSPENSION)	LH (FORWARD OF TANK), VERTICAL	775	377
6600 (AIR SUSPENSION)	CENTRE, LH (REAR OF TANK)	775	575
6600 (AIR SUSPENSION)	LH (FORWARD OF TANK), VERTICAL	775	575
6900	CENTRE, LH (REAR OF TANK)	775	583
6900	LH (FORWARD OF TANK), VERTICAL	775	583
7300	CENTRE, LH (REAR OF TANK)	775	377
7300	LH (FORWARD OF TANK), VERTICAL	775	377

DETAIL - 430 LITRE OIL TANK - 70L UREA TANK



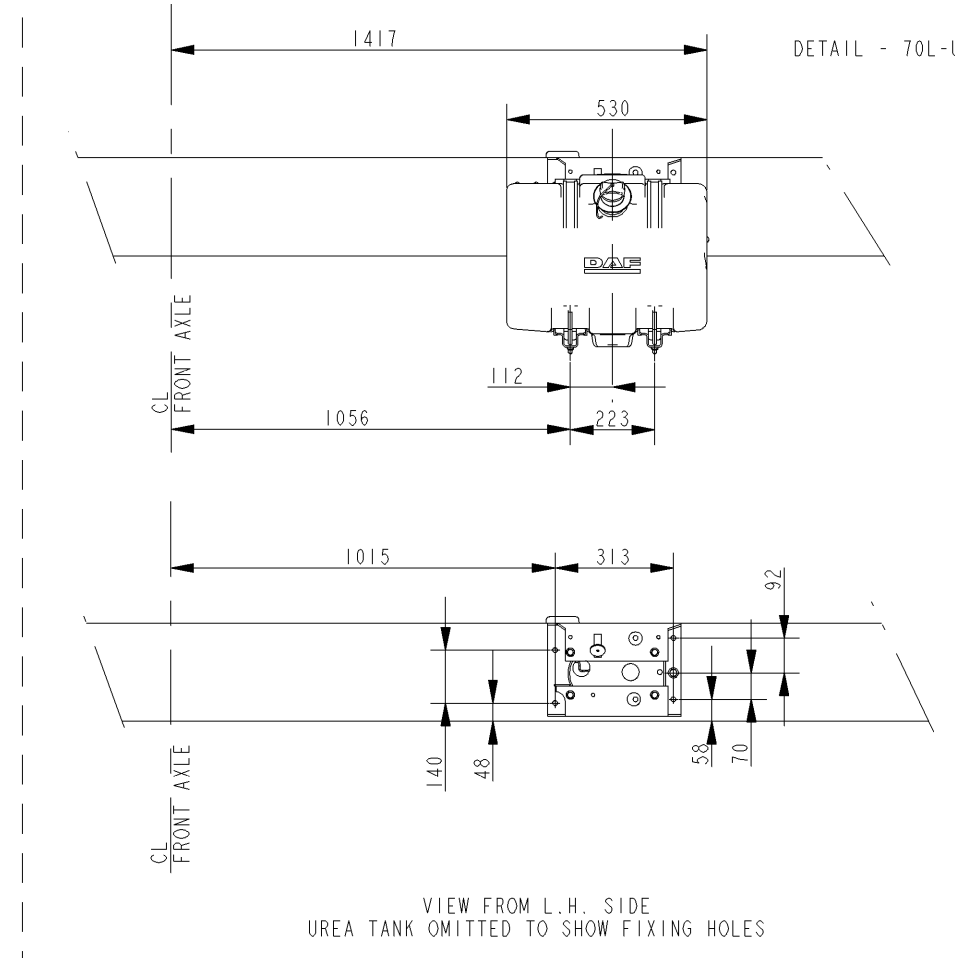
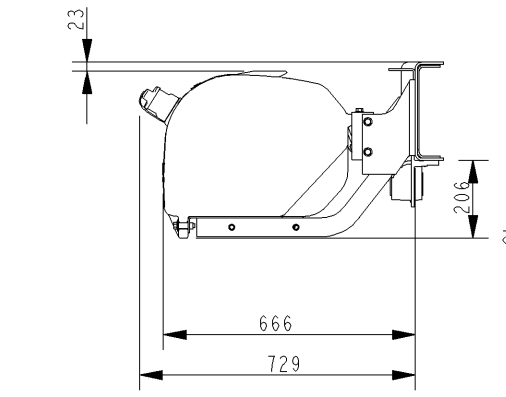
WHEEL BASE	EXHAUST DISCHARGE	DIMENSION 'V'	DIMENSION 'U'
4150 TO 4750, 5100 TO 5700, 6600 TO 6900	CENTRE, LH (REAR OF TANK)	775	482.5
4150 TO 4750, 5100 TO 5700, 6600 TO 6900	LH (FORWARD OF TANK), VERTICAL	775	482.5
4900, 6100, 7300	CENTRE, LH (REAR OF TANK)	775	572.5
4900, 6100, 7300	LH (FORWARD OF TANK), VERTICAL	775	572.5

DETAIL 'P'



VIEW FROM L.H. SIDE  
UREA TANK OMITTED TO SHOW FIXING HOLES

DETAIL - UREA TANK



VIEW FROM L.H. SIDE  
UREA TANK OMITTED TO SHOW FIXING HOLES

NOTES:

GEEN MATEN VAN TEKENING OPMETEN.  
WIJZIGINGEN ZONDER VOORAFGAANDE KENNISGEVING VOORBEHOUDEN.  
VOOR UITVOERING VAN HET VOERTUIG RAADPLEGE  
MEN DE ORDERBEVESTIGING.

DO NOT SCALE DRAWING.  
SUBJECT TO MODIFICATION WITHOUT PRIOR NOTICE.  
PLEASE SEE NOTE FOR DEFINITIVE VEHICLE LAY-OUT.

NE RIEN RELEVER DU DESSIN.  
SOUS RESERVE DE MODIFICATIONS SANS AVIS PREALABLE.  
VEUILLEZ CONSULTER LE BON DE COMMANDE  
POUR LE EQUIPEMENT DU VEHICULE CONCERNE

KEINE ZEICHNUNGSMASSE AUFMESSEN.  
ANDERUNGEN OHNE VORANKUNDIGUNG VORBEHALTEN.  
DIE AUSFUEHRUNG DES BETREFFENDEN FAHRZEUGS  
ENTNEHME MAN DER AUFTRAGSBESTATIGUNG.

Detail 'L' fuel steel tank was Detail 'L' fuel tank, Add sheet no. 2 with Details of Composite Fuel tank, Fuel filter.	19/01/11	SK	AH	5711772	C
In title block Euro 4 is updated to Euro 4/5.	10/03/08	MKJ	BG	5700743	B
DETAIL FOR 70 LITRE UREA TANK ADDED TO DETAIL P. OIL TANK POSITIONS WITH 70 LITRE UREA TANK ADDED TO DETAIL L.	14/02/08	MKJ	BG	5700722	A
modification description	date	drawn by	auth by	mod. no.	issue

general tolerances	tolerance principle	title			
for drawing interpretation, see DAF standard.	material	DETAILS - L & P FA CF 65 Euro 4/5			
surfaces/corners	heat/surface treatment	size	scale	sheet	model number
authorised by	date	SP	1:20	1 of 2	
KJ WILLIAMS		third angle projection			
drawn by	date	prod. grp. spec.	spec. radial.	This drawing is the property of DAF - Trucks N.V. Eindhoven, The Netherlands and may not be copied in whole or in part without the prior written consent of the owner.	
MK JOSHI	18/08/06			drawing/issue number NSEA372/C	
source	replacement for	replaced by		CAD Pro/ENGINEER	