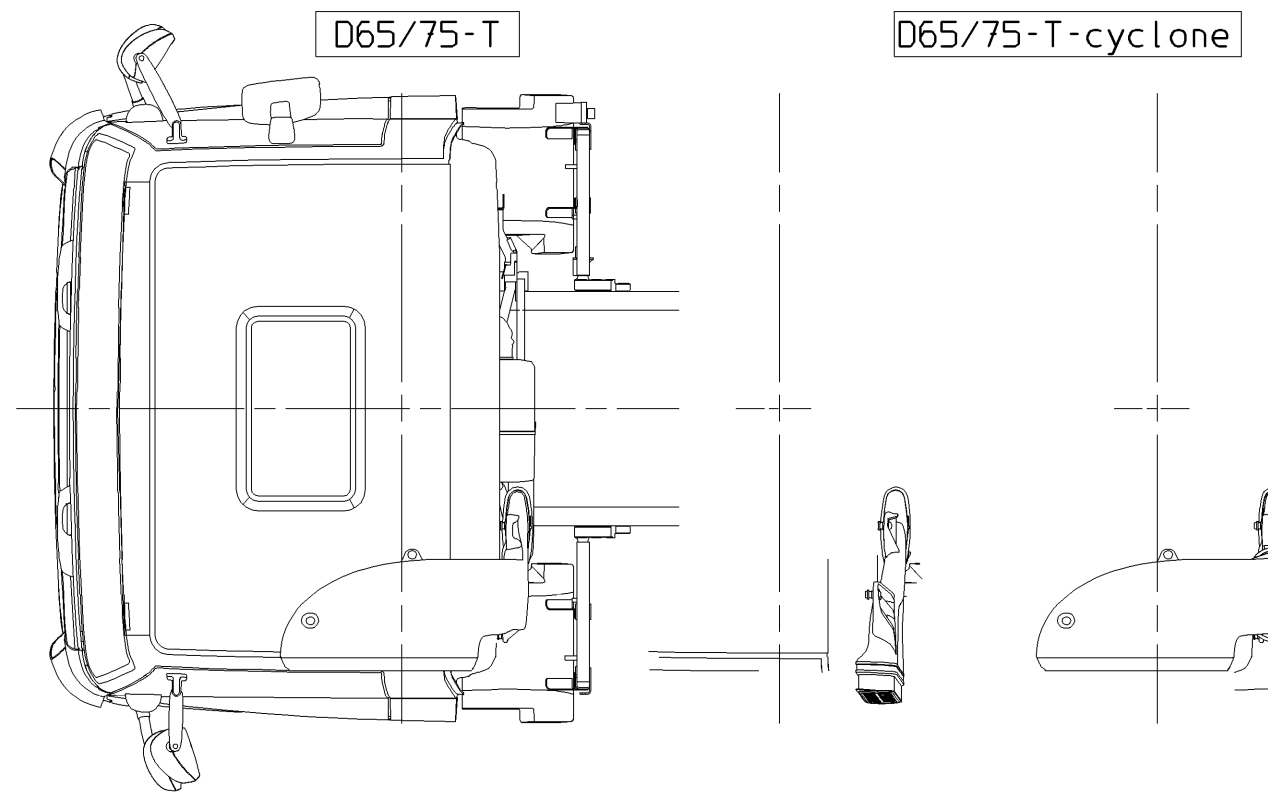
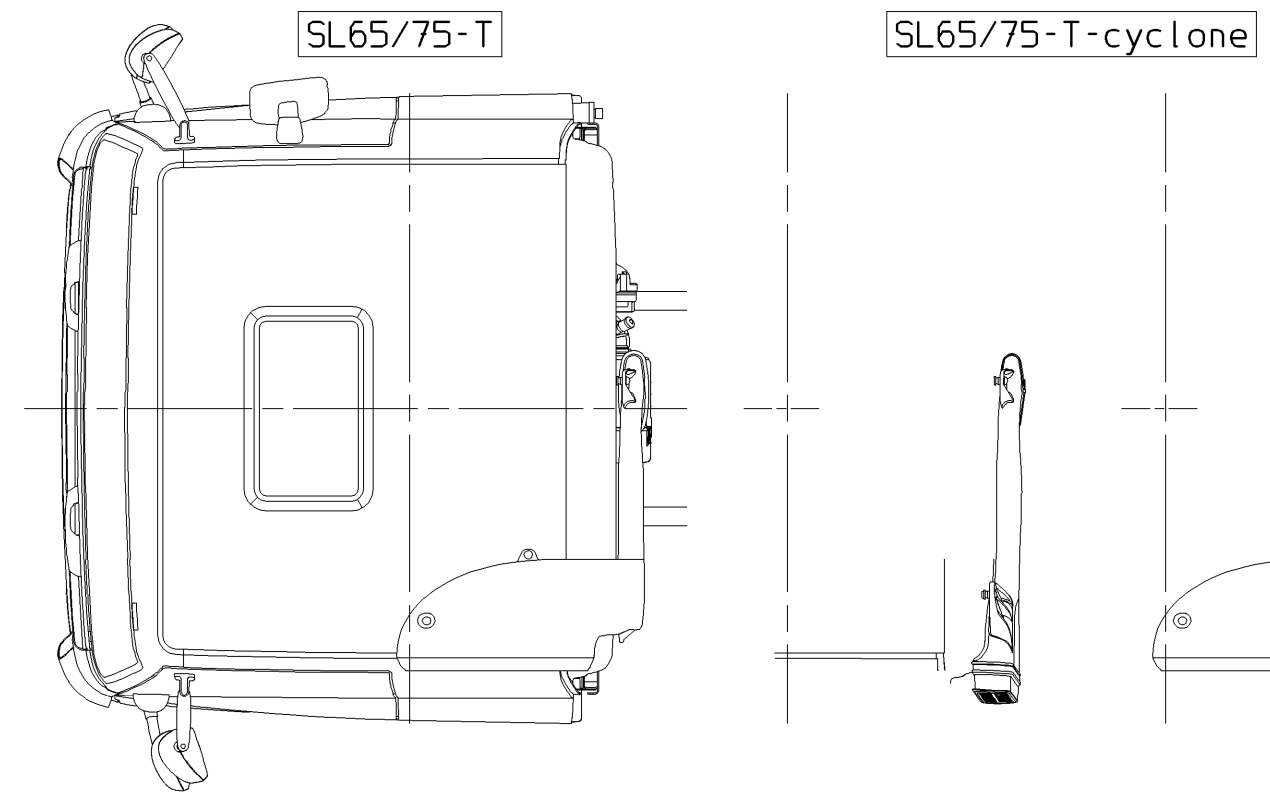


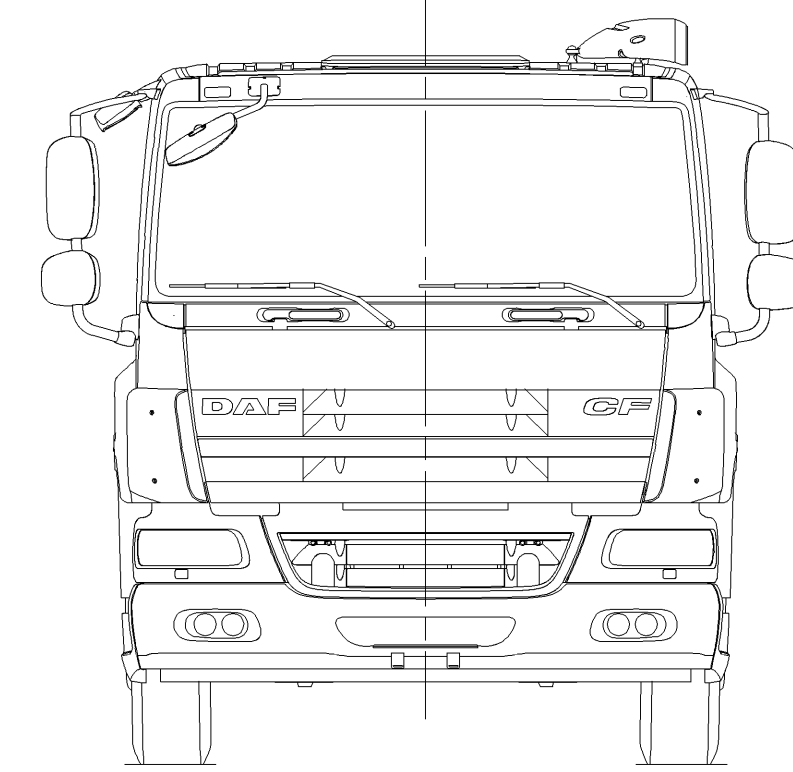
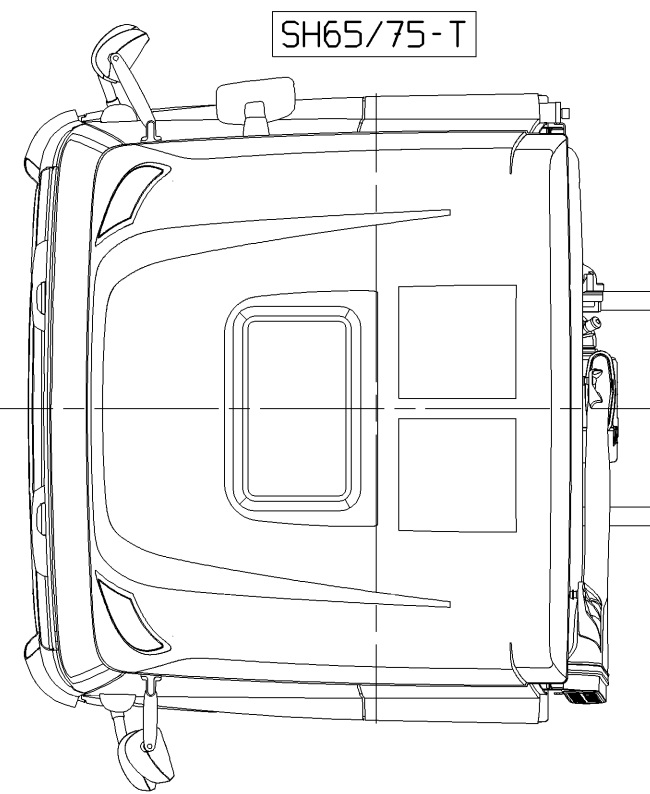
"D"
DAGKABINE
DAY KAB
CABINE COURTE
NORMALFAHRERHAUS



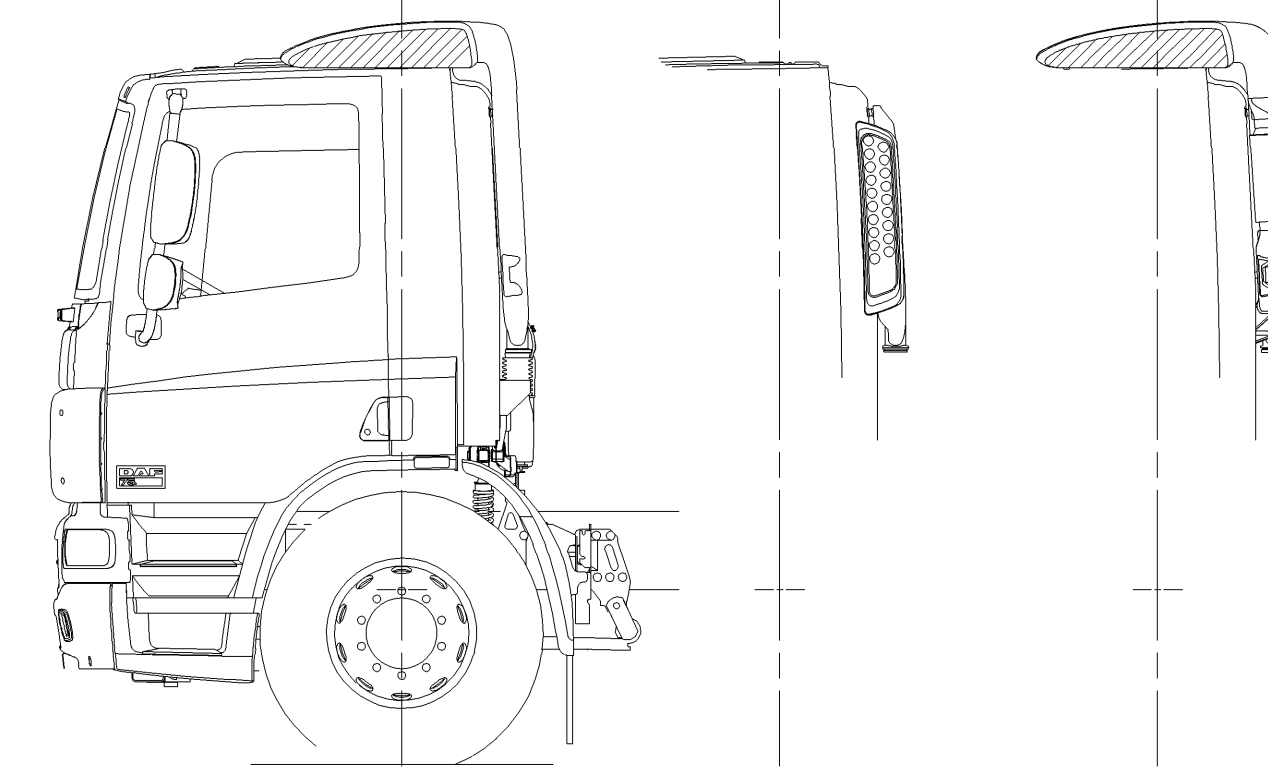
"SL"
SLAAPLAAGKABINE
SLEEPER KAB
CABINE PROFONDE
FERNFAHRERHAUS



"SH"
SLAAPHOOGKABINE
HIGH-ROOF SLEEPER KAB
CABINE PROFONDE SURELEVÉE
GROßRAUMFAHRERHAUS

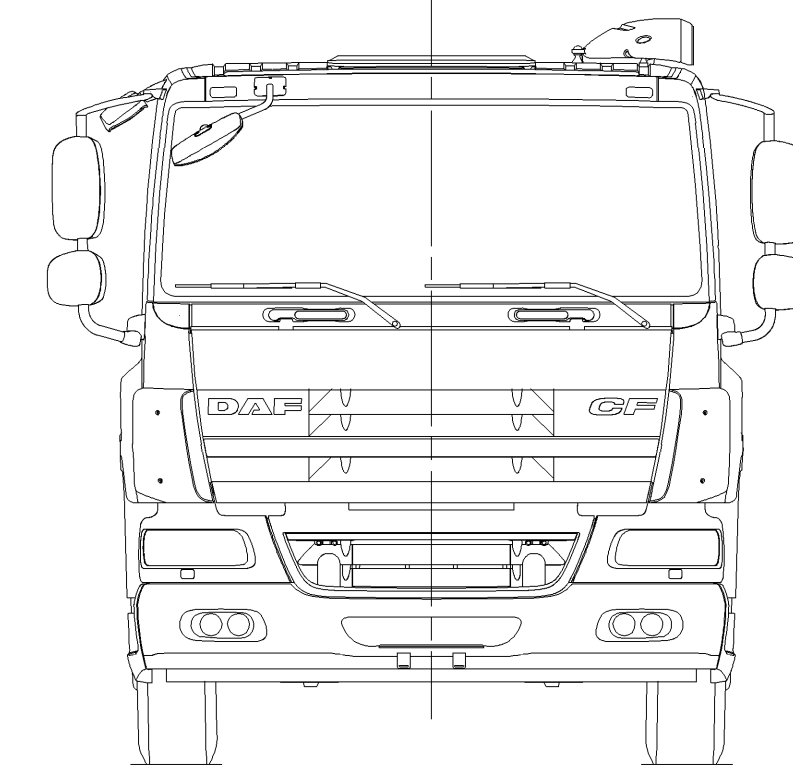


D65/75-F

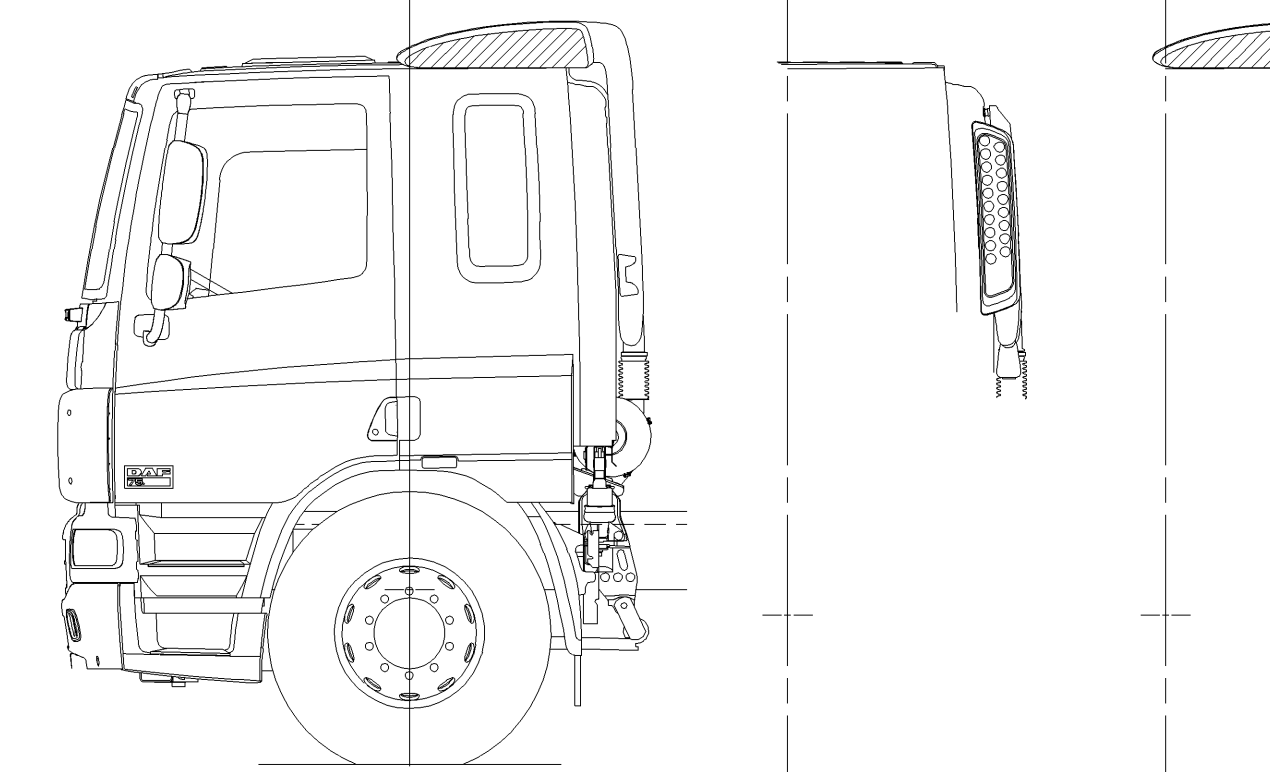


D65/75-S

D65/75-S-cyclone

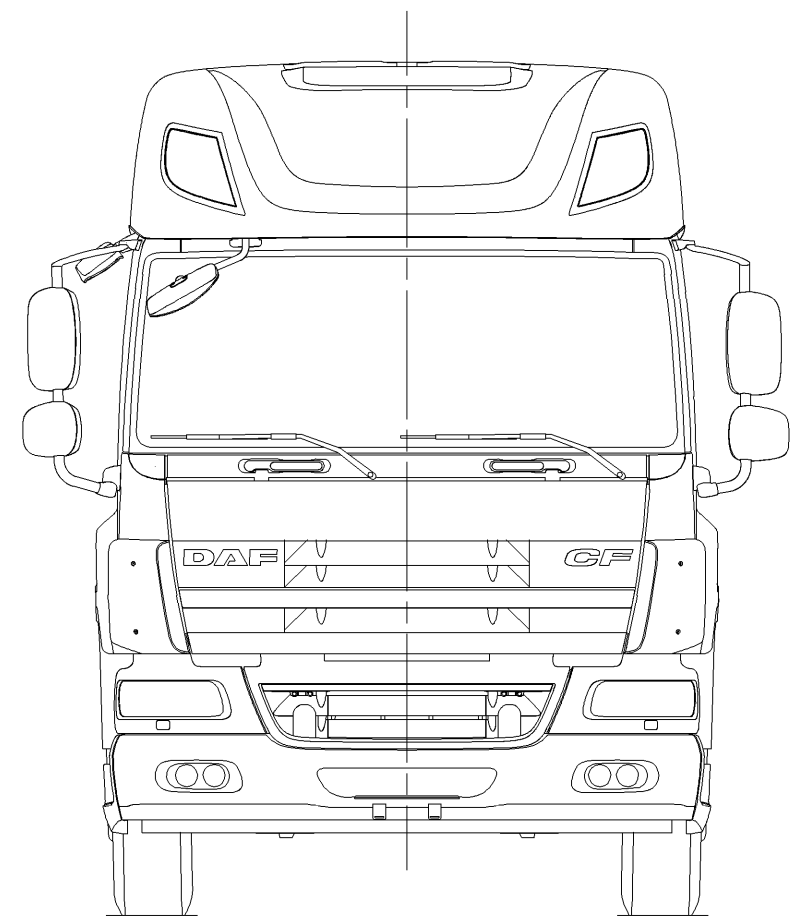


SL65/75-F

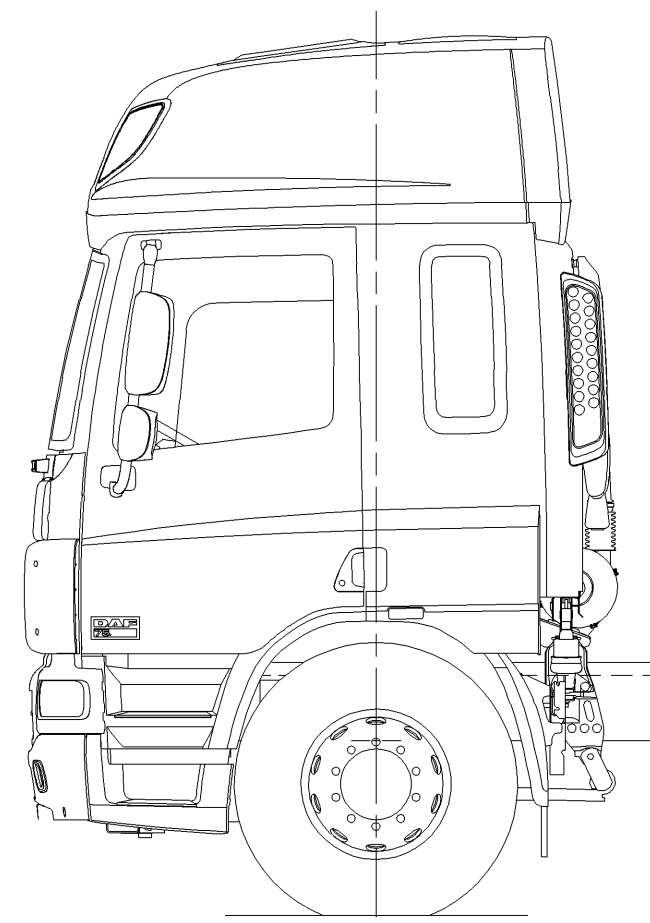


SL65/75-S

SL65/75-S-cyclone



SH65/75F



SH65/75-S

GEEN MATEN VAN TEKENING OPMETEN.
WIJZIGINGEN ZONDER VOORAFGAANDE KENNISGEVING VOORBEHOUDEN.
VOOR UITVOERING VAN HET VOERTUIG RAADPLEG
MEN DE ORDERBEVESTIGING.

DO NOT SCALE DRAWING.
SUBJECT TO MODIFICATION WITHOUT PRIOR NOTICE.
PLEASE SEE NOTE FOR DEFINITE VEHICLE LAY-OUT.
FOR THE SECTIONAL DIMENSIONS OF THE MAIN GIRDERS.

NE RIEN RELEVER DU DESSIN.
SOUS RESERVE DE MODIFICATIONS SANS AVIS PREALABLE.
VEUILLEZ CONSULTER LE BON DE COMMANDE
POUR L'EQUIPEMENT DU VEHICULE CONCERNE.

KEINE ZEICHNUNGSMASSE AUFMESSEN.
ÄNDERUNGEN OHNE VORANKÜNDIGUNG VORBEHALTEN.
DIE AUSFÜHRUNG DES BETREFFENDEN FAHRZUEGS
ENTNEHME MAN DER AUFTRAGSBESTÄTIGUNG.

modification description	date	drawn by	auth. by	mod.no.	issue																																
general tolerances																																					
for drawing interpretation, see DAF standards																																					
surfaces/corners																																					
authorised by																																					
drawn by																																					
source																																					
tolerance principle																																					
material																																					
heat/surface treatment																																					
point specification																																					
prod.grp spec. spec. indicat.																																					
replacement for																																					
<table border="1"> <tr> <td colspan="2">title</td> <td colspan="2">OVERZICHT KABINE'S CF 65/75 EURO 3/4/5</td> </tr> <tr> <td colspan="2">size</td> <td colspan="2">SP 1:30</td> </tr> <tr> <td colspan="2">scale</td> <td colspan="2">1 of 1</td> </tr> <tr> <td colspan="2">sheet</td> <td colspan="2">1 of 1</td> </tr> <tr> <td colspan="2">model number</td> <td colspan="2">Projekt 10680</td> </tr> <tr> <td colspan="2">third angle projection</td> <td colspan="2"> </td> </tr> <tr> <td colspan="2">drawing/issue number</td> <td colspan="2">1807185/00</td> </tr> <tr> <td colspan="2">replaced by</td> <td colspan="2">CAD Unigraphics II</td> </tr> </table>						title		OVERZICHT KABINE'S CF 65/75 EURO 3/4/5		size		SP 1:30		scale		1 of 1		sheet		1 of 1		model number		Projekt 10680		third angle projection				drawing/issue number		1807185/00		replaced by		CAD Unigraphics II	
title		OVERZICHT KABINE'S CF 65/75 EURO 3/4/5																																			
size		SP 1:30																																			
scale		1 of 1																																			
sheet		1 of 1																																			
model number		Projekt 10680																																			
third angle projection																																					
drawing/issue number		1807185/00																																			
replaced by		CAD Unigraphics II																																			