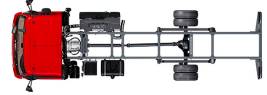


# Specification sheet

## XB 190

FA 4X2 Rigid, 08t



### ENGINES

XB NewGen 170 PX-5 (124 kW / 169 hp)
XB NewGen 190 PX-5 (139 kW / 189 hp)
XB NewGen 210 PX-5 (153 kW / 208 hp)
XB NewGen 230 PX-7 (167 kW / 227 hp)

### GVM<sup>1)</sup>

7500 kg

Max. front 3600 kg

Max. rear 5000 kg

### GCM<sup>2)</sup>

7490 kg

## CAB EXTERIOR

Day Cab with steel bumper, tinted glass and electric window openers. Main mirrors and wide angle mirrors electrically heated. Cab width 2130 mm.; Electrically adjustable mirrors; Mirror brackets, body 2.50-2.60 m; Front view mirror; Rear view camera.

### Optional

<b>02576</b> Extended Day Cab	<b>02083</b> Two hazard beacon lights LED
<b>02106</b> Sleeper Cab	<b>07343</b> Kerb view window co-driver door
<b>01173</b> Cab suspension mechanical	<b>00915</b> Side no glass / rear single glass
<b>01605</b> Cab suspension mechanical reinforced	<b>09101</b> Green tinted glass, heated
<b>09983</b> Fog lights	<b>03605</b> Mirror brackets, body 2.10-2.29 m
<b>09984</b> Fog lights and cornering lights	<b>09282</b> Mirror brackets, body 2.30-2.40 m
<b>06629</b> Two hazard beacon lights	<b>09283</b> Mirror brackets, body 2.40-2.50 m

## AERODYNAMICS

### Optional

<b>09286</b> Roof air deflector prepared	<b>07092</b> Adjustable roof air deflector low (set)
<b>06776</b> Adjustable roof air deflector	<b>09287</b> Side collars prepared
<b>07109</b> Adjustable roof air deflector high (set)	<b>07112</b> Side collars long (set)

## COLOURS

; Head lamp panel and bumper: Stone Grey; Cab steps and wing Stone Grey; Chassis colour grey..

### Optional

<b>06485</b> Head lamp panel and bumper: cab colour	<b>16153</b> Cab and chassis colours
<b>01109</b> Cab steps and wing in cab colour	

## CAB INTERIOR

Right-hand drive (RHD); Mechanically adjustable steering column; Driver seat: air suspended; Co-driver seat: fixed velour; Storage box on engine tunnel.

### Optional

<b>01846</b> Left-hand drive (LHD)	<b>04346</b> Lower bunk, normal level
<b>09271</b> Steering wheel, leather, colour black	<b>03703</b> Auxiliary cab heater Air Top 2000
<b>03516</b> Pneumatically adjustable steering column	<b>04246</b> Roof hatch, manual control
<b>00967</b> Seat belts red	<b>04258</b> Roof hatch, electric control
<b>16158</b> Seat types	

## COMMUNICATION AND DRIVING MANAGEMENT

FMS connector, prepared; Tachograph digital, Stoneridge version G2V2A; Driver Performance Assistant.

### Optional

<b>16155</b> Audio equipment, makes and types
---

## SAFETY AND SECURITY

Speed limit recognition; DAF drowsiness detection; Drive-off Assist.

### Optional

<b>08631</b> Air bag (driver) and 2 seat belt tensioners	<b>01723</b> No reverse warning
<b>07414</b> Reverse warning with self-adjusting volume	<b>16156</b> EC-ADR packages

## SUSPENSION AND AXLES

Front axle type 36N. Parabolic leaf suspension with shock absorbers and stabiliser. Max. load 3.6 tonnes.; Single reduction driven rear axle type SR5.13 with parabolic leaf suspension, including shock absorbers and stabiliser. Max. load 5.00 tonnes..

### Optional

<b>01736</b> Front: 3.60 t, parabolic HD, 36N	<b>00787</b> Rear: 5.00 t, raised parabolic HD, SR5.13
<b>01730</b> Front: 3.60 t, parabolic raised HD, 36N	<b>00764</b> Rear: 5.00 t, air suspension, SR5.13
<b>01927</b> Front springs parabolic raised, Heavy Duty	<b>01372</b> Rear springs air
<b>07368</b> Front springs parabolic, Heavy Duty	<b>01983</b> Rear springs parabolic raised, Heavy Duty
<b>00817</b> Rear: 5.00 t, parabolic Heavy Duty, SR5.13	<b>00369</b> Rear springs parabolic, asymmetric
<b>00783</b> Rear: 5.00 t, raised parabolic, SR5.13	<b>08031</b> Rear springs parabolic, Heavy Duty
<b>00754</b> Rear: 5.00 t, asymmetric parabolic, SR5.13	<b>01959</b> Rear springs parabolic, raised

## WHEELS AND TYRES

Front axle(s): 215/75R17.5; Driven rear axle(s): 215/75R17.5; Goodyear; Wheel protection rings silvergrey.

### Optional

<b>06764</b> Wheel protection rings black	<b>16152</b> Tyre makes and types
---	-----------------------------------

## DRIVELINE

Engine PX-5, 4 cylinder diesel engine, 4.5 litres. Output 139 kW (189 hp) at 2300 rpm. Max. torque 745 Nm at 1200-1700 rpm.; Exhaust emission Euro 6; Automatic gearbox PowerLine, 8-speed; Gearbox ratio 4.89-0.64; Rear axle ratio 3.31.

### Optional

<b>08827</b> Manual gearbox, 6 speeds	<b>02800</b> Rear axle ratio 4.10
<b>01879</b> Rear axle ratio 3.73	<b>02843</b> Mechanical differential lock

## BRAKE SYSTEM

Exhaust brake.

### Optional

<b>06195</b> Park brake control with test position	<b>09525</b> Park brake ctl with test pos and spoken warning
<b>09524</b> Park brake control with spoken warning	

## CHASSIS

Wheelbase 3.55 m / rear overhang 1.98 m; Side member height 210 mm; EAS unit right, discharge right rearward; Battery box left, no spare wheel carrier; Plastic fuel tank 110 l; Tank for AdBlue® 30 l, right-hand side chassis; Spray suppression.

### Optional

<b>04426</b> Batteries left, spare wheel carrier in re overhang	<b>02011</b> Spare wheel carrier in rear overhang
<b>04439</b> Battery box left, spare wheel carrier right	<b>07071</b> Spare wheel carrier right-hand side
<b>01623</b> Rear underrun protection	<b>03323</b> Rear light with LEDs

## DRAWBAR AND TRAILER EQUIPMENT

Closing member D-value = 0kN.

### Optional

- |  |  |
|--|--|
| <b>06779</b> Cross member D85-Dc70 -V25, no coupling, mounted    | <b>01185</b> Cross member D85-Dc70 -V25, ball coupling D85, mntd |
| <b>02371</b> Cross member D85-Dc70 -V25, coupling D85 A, mounted | <b>04661</b> D-value cross member D= 8.5                         |
| <b>06657</b> Cross member D85-Dc70 -V25, coupling D85 B, mounted |  |

## BODIES AND PREPARATIONS FOR BODYING

Application connector chassis; Standard body attachment hole pattern.

### Optional

- |  |   |
|--|---|
| <b>02950</b> Application connector for hydraulic platform      | <b>00126</b> Body attachment BAM 1, consoles type B       |
| <b>09240</b> Application connector for refuse coll. (EN1501-1) | <b>07487</b> Body attachment BAM 1, loose consoles supply |
| <b>01502</b> No side marker lights                             | <b>07488</b> Body attachment BAM 3, loose consoles supply |

## POWER TAKE-OFF (PTO)

### Optional

- |  |   |
|--|---|
| <b>06624</b> Indirect front engine PTO                       | <b>02234</b> Rear eng PTO 13h, pump drive, wo cntr. max 30 kW |
| <b>06785</b> Front engine PTO, generator preparation 22.5 kW | <b>16148</b> PTO types and positions                          |
| <b>06282</b> Rear eng PTO 13h, permanent, pump drive         |   |

## 24V POWER SUPPLY

Alternator 100 A, batteries 2x 175 Ah..

### Optional

- |                              |                                |
|------------------------------|--------------------------------|
| <b>02544</b> Alternator 80 A | <b>01906</b> Batteries 2x125Ah |
|------------------------------|--------------------------------|

## GVM AND GCM

Chassis weight related technical GVM max 7490 kg; Driveline related technical GCM equal to GVM.

### Optional

- |   |  |
|---|--|
| <b>08643</b> Chassis weight related technical GVM max 7500 kg | <b>00054</b> Driveline related max GCM 18000 kg            |
| <b>08644</b> Chassis weight related technical GVM max 8300 kg | <b>03700</b> Driveline related technical GCM = GVM+3500 kg |
| <b>03428</b> Driveline related max GCM 16000 kg               |  |

## APPLICATION CONDITIONS

Moisture separator, unheated; Air intake low.

### Optional

- |   |   |
|---|---|
| <b>02270</b> Cold climate               | <b>09960</b> Air intake on the cab roof |
| <b>04767</b> Moisture separator, heated | <b>04793</b> Radiator protection plate  |
| <b>04482</b> Air intake high behind cab |   |

## VEHICLE DELIVERY

Standard toolkit.

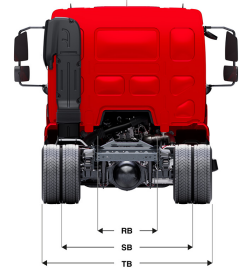
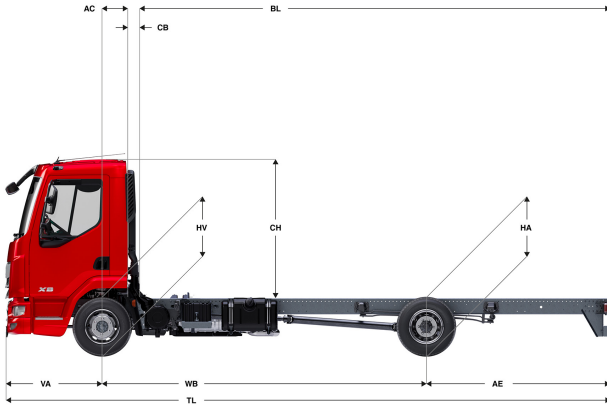
### Optional

**06491** Toolkit Eastern Europe

Go to [DAF.com](https://www.daf.com) to configure your own perfect DAF.

# XB 190

FA 4X2 Rigid, 08t



	Wheelbase - AE		Unladen weight <sup>9)</sup>			Gross Carrying Capacity			Variable dimensions									
	WB	AE <sup>5)</sup>	Front	Rear	Total	Front	Rear	Total	AC	CB <sup>6)</sup>	CH <sup>7)</sup>	BL <sup>8)</sup>	BL	TL	HA <sup>9)</sup>	HA <sup>10)</sup>	TK <sup>11)</sup>	TW <sup>12)</sup>
DAY CAB	3,15	1,32	2504	1123	3627	1096	3877	3873	0,33	0,12	1,84	3,63	5,43	5,76	1,04	0,95	10,81	12,17
	3,55	1,98	2560	922	3482	1040	4078	4019	0,33	0,12	1,84	4,38	6,33	6,82	1,01	0,90	11,78	13,16
	3,90	2,23	2566	932	3498	1034	4068	4002	0,33	0,12	1,84	4,89	7,06	7,42	1,01	0,90	12,63	14,03
	4,30	2,43	2579	946	3525	1021	4054	3975	0,33	0,12	1,84	5,50	7,90	8,02	1,01	0,90	13,61	15,03
	4,65	2,75	2582	961	3543	1018	4039	3957	0,33	0,12	1,84	6,02	8,62	8,69	1,01	0,90	14,46	15,90
	5,00	2,83	2600	972	3572	1000	4028	3928	0,33	0,12	1,84	6,56	9,39	9,12	1,01	0,90	15,32	16,77
	5,40	2,43	2625	960	3585	975	4040	3915	0,33	0,12	1,84	7,21	10,28	9,12	1,01	0,91	16,31	17,77
SLEEPER CAB	WB	AE <sup>5)</sup>	Front	Rear	Total	Front	Rear	Total	AC	CB <sup>6)</sup>	CH <sup>7)</sup>	BL <sup>8)</sup>	BL	TL	HA <sup>9)</sup>	HA <sup>10)</sup>	TK <sup>11)</sup>	TW <sup>12)</sup>
	3,55	1,98	2667	939	3606	933	4061	3895	0,73	0,07	1,87	3,81	5,83	6,82	1,01	0,89	11,78	13,16
	3,90	2,23	2675	948	3622	925	4052	3878	0,73	0,07	1,87	4,35	6,58	7,42	1,01	0,89	12,63	14,03
	4,30	2,43	2688	960	3649	912	4040	3851	0,73	0,07	1,87	4,98	7,45	8,02	1,01	0,90	13,61	15,03
	4,65	2,75	2693	974	3667	907	4026	3833	0,73	0,07	1,87	5,51	8,20	8,69	1,01	0,89	14,46	15,90
	5,00	2,83	2711	984	3696	889	4016	3804	0,73	0,07	1,87	6,07	8,99	9,12	1,01	0,90	15,32	16,77
	5,40	2,43	2737	971	3709	863	4029	3791	0,73	0,07	1,87	6,75	9,92	9,12	1,01	0,91	16,31	17,77

OTHER DIMENSIONS VA: 1,29 HV<sup>13)</sup>: 0,89 HV<sup>14)</sup>: 0,85 RB: 0,86 SB: 1,75 TB<sup>15)</sup>: 2,29

1) GVM in conformity with registration documents.  
 2) GCM in conformity with registration documents.  
 3) Axle load with standard tyre size.  
 4) Chassis and cab weight calculated with: Standard specification items only with 110 litres of fuel, 30 litres of AdBlue® and driver of 80 kg, tolerance ± 3%. Changing of the specification can have major impact on vehicle weight.  
 5) Other AE dimensions may be available for shown WB. Modify rear overhang to the calculated body length.  
 6) CB is based on standard air intake and/or exhaust.  
 7) Cab height is measured from frame member to closed cabin roof hatch.

8) Calculate customer specific body length with TOPEC. Body lengths shown based on evenly distributed load at max axle load.  
 9) Unladen height at centre of driven axle(s).  
 10) Laden height at centre of driven axle(s).  
 11) TK = turning circle between kerbs.  
 12) TW = turning circle between walls.  
 13) Unladen height at centre of front axle(s).  
 14) Laden height at centre of front axle(s).  
 15) TB is overall width at rear. (At centre of front axle 255).

Depending on the vehicle configuration a specific option may not be possible. The availability and specification of this vehicle may differ per country. For further information please contact the DAF organisation. Pictures and technical illustrations are not binding in detail and can differ from the standard specification. Subject to modification without prior notice.