

Specification sheet

CF 230

FA 4X2 Rigid



ENGINES

- CF 230 PX-7 (172 kW / 234 hp)
- CF 260 PX-7 (194 kW / 264 hp)
- CF 290 PX-7 (217 kW / 295 hp)
- CF 320 PX-7 (239 kW / 325 hp)

GVM¹⁾

- 19000 kg
- Max. front 7500 kg
- Max. rear 11500 kg

GCM²⁾

- 19000 kg

991F6606AAAA - 202345D - 21-08-2023

DAF Trucks N.V., The Netherlands, www.daf.com

CAB EXTERIOR

Day Cab with galvanised steel bumper, tinted glass and electric window openers. Main mirrors and wide angle mirrors electrically heated. Cab width 2300 mm.; LED daytime running lights; Electrically adjustable mirrors; Front view mirror.

Optional

02106 Sleeper Cab	06593 Skylights
01137 Space Cab	06628 One hazard beacon light at co-driver side
01174 External sun visor green translucent	06627 One hazard beacon light at driver side
09983 Fog lights	06629 Two hazard beacon lights
09984 Fog lights and cornering lights	

AERODYNAMICS

Optional

04906 Side collars

COLOURS

Cab colour H3279 Brilliant White; Head lamp panel and bumper: Brilliant White; Chassis colour grey..

Optional

06485 Head lamp panel and bumper: cab colour	07245 Mirror covers Brilliant White
09933 Head lamp panel and bumper: Stone Grey	04198 Mirror covers in cab colour
06442 Mirror covers grey	16153 Cab and chassis colours

CAB INTERIOR

Driver seat: Comfort Air; Co-driver seat: basic; Automatic Temperature Control and airco; Pollen filter; Roof hatch glass, manual control.

Optional

09271 Steering wheel, leather, colour black	07741 Co-driver seat: Comfort Air
07240 Steering wheel, leather, Exclusive	07743 Co-driver seat: Luxury Air
07152 Cab interior trim colour Exclusive	07746 Co-driver seat: Super Air
07592 Cab interior decoration Argenta	07748 Co-driver seat: Xtra Leather Air
07591 Cab interior decoration Rustica	00967 Seat belts red
07733 Driver seat: Luxury Air	02117 Third seat
07736 Driver seat: Super Air	06539 Refrigerator
07737 Driver seat: Xtra Leather Air	06599 Auxiliary cab heater (air)

COMMUNICATION AND DRIVING MANAGEMENT

Tachograph digital, Stoneridge 1C version G2V2; Speed limiter setting 85 km/h absolute; Antennas: radio, 2x cellular, GNSS; Adaptive Cruise Control with FCW and AEBS-3.

Optional

16155 Audio equipment, makes and types

SAFETY AND SECURITY

Vehicle Stability Control (VSC); Basic engine immobiliser system.

Optional

01725 Reverse warning	16156 EC-ADR packages
07414 Reverse warning with self-adjusting volume	

SUSPENSION AND AXLES

Front axle load 7.50 t; Rear: 11.50 t, air suspension, SR1132.

Optional

01800 Rear axle SR1344	01778 Rear axle load 13.00 t
01603 Rear springs parabolic	

WHEELS AND TYRES

Front axle(s): 315/70R22.5; Driven rear axle(s): 315/70R22.5; Disc wheels steel, silvergrey; Wheel protection rings silvergrey.

Optional

16152 Tyre makes and types

DRIVELINE

Engine PX-7, 6 cylinder diesel engine, 6.7 litres. Output 172 kW (234 hp) at 2300 rpm. Max. torque 900 Nm at 1000-1700 rpm.; Exhaust emission Euro 6; Engine idle shutdown, 5 minutes; Manual gearbox, 6 speeds; Gearbox ratio 6.75-0.78; Rear axle ratio 4.56.

Optional

04393 Manual gearbox, 9 speeds	04500 AS Tronic gearbox, 12 speeds
08834 AS Tronic gearbox, 6 speeds	02843 Mechanical differential lock

CHASSIS

Wheelbase 5.10 m / rear overhang 2.30 m; Side member height 270 mm; Plastic fuel tank 200 l; Tank for AdBlue® 25 l, right-hand side chassis; Front underrun protection (FUP); Spray suppression.

Optional

16157 Fuel tanks, material and sizes	07071 Spare wheel carrier right-hand side
---	--

DRAWBAR AND TRAILER EQUIPMENT

Closing member.

Optional

04661 D-value cross member D= 8.5	01948 D-value cross member D=10
--	--

BODIES AND PREPARATIONS FOR BODYING

Application connector on the cab front.

POWER TAKE-OFF (PTO)

Optional

16148 PTO types and positions

24V POWER SUPPLY

Alternator 80 A, batteries 2x 125 Ah..

Optional

01897 Alternator 100 A	08797 Batteries 2x175Ah
-------------------------------	--------------------------------

GVM AND GCM

Chassis weight related technical GVM max 19000 kg; Driveline related max GCM 19000 kg.

Optional

- | | |
|---|---|
| 00064 Driveline related max GCM 22500 kg | 00620 Driveline related max GCM 28000 kg |
| 02658 Driveline related max GCM 26000 kg | 03027 Driveline related max GCM 32000 kg class 3 |

APPLICATION CONDITIONS

Moisture separator, unheated; Air intake on the cab roof.

Optional

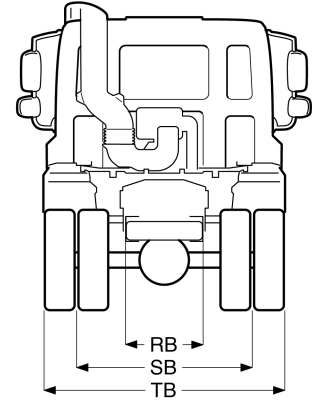
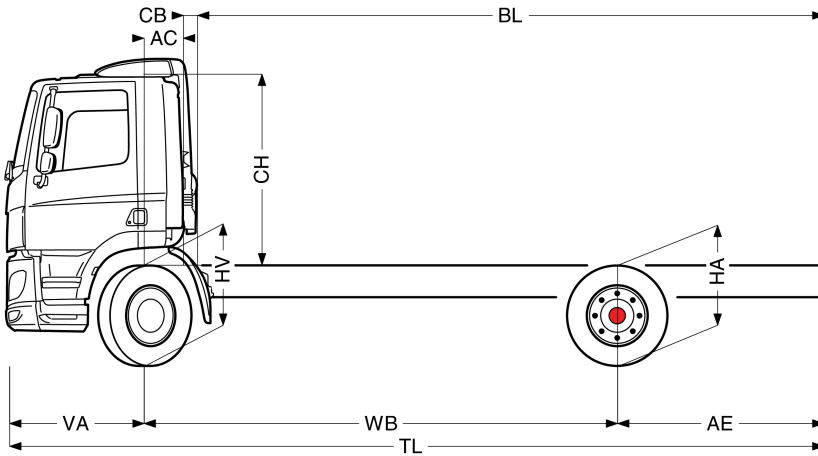
- | | |
|---|---------------------------------|
| 02270 Cold climate | 04987 Radiator flyscreen |
| 09961 Cyclonic air intake behind the cab | |



Go to [DAF.com](https://www.daf.com) to configure your own perfect DAF.

CF 230

FA 4X2 Rigid



	Wheelbase - AE		Unladen weight ¹⁾			Gross Carrying Capacity			Variable dimensions									
	WB	AE ⁵⁾	Front	Rear	Total	Front	Rear	Total	AC	CB ⁶⁾	CH ⁷⁾	BL ⁸⁾	BL	TL	HA ⁹⁾	HA ¹⁰⁾	TK ¹¹⁾	TW ¹²⁾
DAY CAB	4,00	1,70	3941	2244	6185	3559	9256	12815	0,39	0,18	1,98	4,64	4,64	7,07	1,00	0,97	14,46	15,86
	4,15	1,85	3941	2259	6199	3559	9241	12801	0,39	0,18	1,98	4,86	4,86	7,37	1,00	0,97	14,87	16,28
	4,45	2,00	3953	2283	6236	3547	9217	12764	0,39	0,18	1,98	5,29	5,29	7,82	1,00	0,97	15,69	17,11
	4,75	2,00	3963	2288	6251	3537	9212	12749	0,39	0,18	1,98	5,73	5,73	8,12	1,00	0,97	16,51	17,94
	4,90	2,15	3963	2302	6266	3537	9198	12734	0,39	0,18	1,98	5,94	5,94	8,42	1,00	0,97	16,92	18,36
	5,10	2,30	3976	2328	6304	3524	9172	12696	0,39	0,18	1,98	6,24	6,24	8,77	1,00	0,97	17,47	18,91
	5,40	2,40	4003	2371	6374	3497	9129	12626	0,39	0,18	1,98	6,67	6,67	9,17	1,00	0,97	18,30	19,74
	5,70	2,65	4012	2409	6421	3488	9091	12579	0,39	0,18	1,98	7,10	7,10	9,72	1,00	0,97	19,12	20,58
	6,10	2,80	4023	2430	6454	3477	9070	12546	0,39	0,18	1,98	7,69	7,69	10,27	1,00	0,97	20,22	21,69
	6,60	2,85	4050	2454	6504	3450	9046	12496	0,39	0,18	1,98	8,43	8,43	10,82	1,00	0,97	21,60	23,08
6,90	3,00	4070	2494	6564	3430	9006	12436	0,39	0,18	1,98	8,85	8,85	11,27	1,00	0,97	22,43	23,91	
7,30	3,30	4075	2529	6604	3425	8971	12396	0,39	0,18	1,98	9,44	9,44	11,97	1,00	0,97	23,54	25,02	
SLEEPER CAB	4,00	1,70	3986	2253	6239	3514	9247	12761	0,82	0,16	1,98	3,84	3,84	7,07	1,00	0,96	14,46	15,86
	4,15	1,85	3986	2267	6253	3514	9233	12747	0,82	0,16	1,98	4,05	4,05	7,37	1,00	0,96	14,87	16,28
	4,45	2,00	3999	2291	6290	3501	9209	12710	0,82	0,16	1,98	4,49	4,49	7,82	1,00	0,96	15,69	17,11
	4,75	2,00	4010	2295	6305	3490	9205	12695	0,82	0,16	1,98	4,93	4,93	8,12	1,00	0,96	16,51	17,94
	4,90	2,15	4010	2309	6320	3490	9191	12680	0,82	0,16	1,98	5,14	5,14	8,42	1,00	0,96	16,92	18,36
	5,10	2,30	4023	2335	6358	3477	9165	12642	0,82	0,16	1,98	5,44	5,44	8,77	1,00	0,96	17,47	18,91
	5,40	2,40	4051	2377	6428	3449	9123	12572	0,82	0,16	1,98	5,88	5,88	9,17	1,00	0,96	18,30	19,74
	5,70	2,65	4060	2415	6475	3440	9085	12525	0,82	0,16	1,98	6,32	6,32	9,72	1,00	0,96	19,12	20,58
	6,10	2,80	4072	2436	6508	3428	9064	12492	0,82	0,16	1,98	6,90	6,90	10,27	1,00	0,96	20,22	21,69
	6,60	2,85	4099	2459	6558	3401	9041	12442	0,82	0,16	1,98	7,63	7,63	10,82	1,00	0,97	21,60	23,08
6,90	3,00	4119	2499	6618	3381	9001	12382	0,82	0,16	1,98	8,07	8,07	11,27	1,00	0,97	22,43	23,91	
7,30	3,30	4124	2534	6658	3376	8966	12342	0,82	0,16	1,98	8,65	8,65	11,97	1,00	0,97	23,54	25,02	
SPACE CAB	4,00	1,70	4099	2254	6352	3401	9246	12648	0,82	0,16	2,66	3,89	3,89	7,07	1,00	0,96	14,46	15,86
	4,15	1,85	4099	2268	6366	3401	9232	12634	0,82	0,16	2,66	4,11	4,11	7,37	1,00	0,96	14,87	16,28
	4,45	2,00	4112	2291	6403	3388	9209	12597	0,82	0,16	2,66	4,54	4,54	7,82	1,00	0,96	15,69	17,11
	4,75	2,00	4123	2296	6419	3377	9204	12581	0,82	0,16	2,66	4,99	4,99	8,12	1,00	0,96	16,51	17,94
	4,90	2,15	4123	2310	6433	3377	9190	12567	0,82	0,16	2,66	5,21	5,21	8,42	1,00	0,96	16,92	18,36
	5,10	2,30	4136	2335	6471	3364	9165	12529	0,82	0,16	2,66	5,50	5,50	8,77	1,00	0,96	17,47	18,91
	5,40	2,40	4164	2378	6541	3336	9122	12459	0,82	0,16	2,66	5,95	5,95	9,17	1,00	0,96	18,30	19,74
	5,70	2,65	4173	2415	6588	3327	9085	12412	0,82	0,16	2,66	6,39	6,39	9,72	1,00	0,96	19,12	20,58
	6,10	2,80	4185	2436	6621	3315	9064	12379	0,82	0,16	2,66	6,98	6,98	10,27	1,00	0,97	20,22	21,69
	6,60	2,85	4212	2460	6671	3288	9040	12329	0,82	0,16	2,66	7,72	7,72	10,82	1,00	0,97	21,60	23,08
6,90	3,00	4232	2500	6731	3268	9000	12269	0,82	0,16	2,66	8,16	8,16	11,27	1,00	0,97	22,43	23,91	
7,30	3,30	4237	2534	6771	3263	8966	12229	0,82	0,16	2,66	8,74	8,74	11,97	1,00	0,97	23,54	25,02	

OTHER DIMENSIONS

VA: 1,37 HV¹³⁾: 1,03 HV¹⁴⁾: 1,02 RB: 0,79 SB: 1,83 TB¹⁵⁾: 2,47

- GVM in conformity with registration documents.
- GCM in conformity with registration documents.
- Axle load with standard tyre size.
- Chassis and cab weight calculated with: Standard specification items only with 0 litres of fuel, 0 litres of AdBlue® and driver of 0 kg, tolerance ± 3%. Changing of the specification can have major impact on vehicle weight.
- Other AE dimensions may be available for shown WB. Modify rear overhang to the calculated body length.
- CB is based on standard air intake and/or exhaust.
- Cab height is measured from frame member to closed cabin roof hatch.

- Calculate customer specific body length with TOPEC. Body lengths shown based on evenly distributed load at max axle load.
- Unladen height at centre of driven axle(s).
- Laden height at centre of driven axle(s).
- TK = turning circle between kerbs.
- TW = turning circle between walls.
- Unladen height at centre of front axle(s).
- Laden height at centre of front axle(s).
- TB is overall width at rear. (At lower cab step 255).

Depending on the vehicle configuration a specific option may not be possible. The availability and specification of this vehicle may differ per country. For further information please contact the DAF organisation. Pictures and technical illustrations are not binding in detail and can differ from the standard specification. Subject to modification without prior notice.