

Situatie Zonder bandenlier
Version Without spare wheel winch

Situatie 100L. AdBluetank
Version 100L. AdBluetank

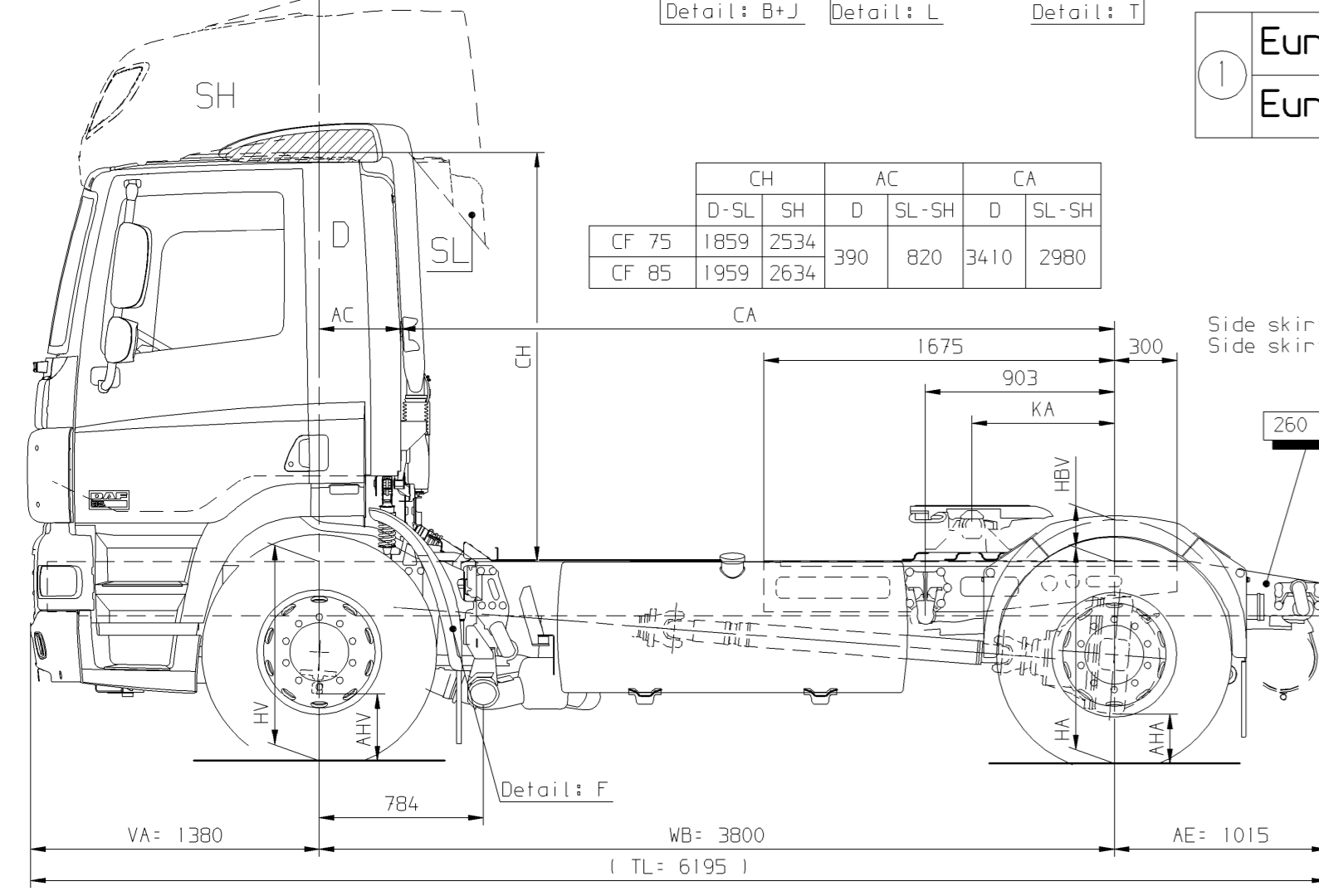
①	Euro 3	Zonder AdBluetank + EAS brandstofleidingen Without AdBluetank + EAS fuelpiping
	Euro 4/5	Met AdBluetank + EAS brandstofleidingen With AdBluetank + EAS fuelpiping

AdBlue	
50L.	Met bandenlier With spare wheel winch
75L.	Zie situatie Zonder bandenlier See version without spare wheel winch
100L.	Zie situatie 100L. AdBluetank See version 100L. AdBluetank

	CH	AC	CA
D-SL SH	D	SL-SH	D SL-SH
CF 75	1859 2534	390 820	3410 2980
CF 85	1959 2634		

Side skirts zie, detail: S.
Side skirts see, detail: S.

Getekende situatie CF85 Euro 4/5.
Drawing represents CF85 Euro 4/5.
Le plan se rapporte au CF85 Euro 4/5.
Situation auf Zeichnung CF85 Euro 4/5. — LHD D-cab.



GEEN MATEN VAN TEKENING OPMETEN.
WIJZIGINGEN ZONDER VOORAFGAANDE KENNISGEVING VOORBEHOUDEN.
VOOR UITVOERING VAN HET VOERTUIG RAADPLEGE MEN DE ORDERBEVESTIGING.
DO NOT SCALE DRAWING.
SUBJECT TO MODIFICATION WITHOUT PRIOR NOTICE.
PLEASE SEE NOTE FOR DEFINITE VEHICLE EXECUTION.
NE RIEN RELEVER DU DESSIN.
SOUS RESERVE DE MODIFICATIONS SANS AVIS PREALABLE.
VEUILLEZ CONSULTER LE BON DE COMMANDE POUR L'EQUIPEMENT DU VEHICULE CONCERNE.
KEINE ZEICHNUNGSMASSE AUFMESSEN.
AENDERUNGEN OHNE VORANKUNDIGUNG VORBEHALTEN.
DIE AUSFUHRUNG DES BETREFFENDEN FAHRZEUGS ENTNEHME MAN DER AUFTRAGSBESTAETIGUNG.

Details A t/m C	Drawing Number	For chassis height FRONT - REAR see	Drawing Number
Details D t/m F	1668101	For cabins see	1668111
Details G	1668102	For suspensions REAR see	1668119
Details H + K	1668103	For Tyres and wheels see	1668120
Details J	1668104		1260799
Details L	1668105		
Details M	1668106		
Details N t/m T	1668107		
Details U	1668108		
Details R/V/W	1668109		
	1668110		

Versn.bak gew. Ecosplit4-int.3+100L. AdBluetank toeg.(pr.10840)		090420	RBO		10663	02
Ureumtank 75L. was 50L. m.u.v. met bandenlier(Inq. N0962A)		070913	RBO		10663	01
Spiegels gewijzigd.(D.M.R.'s 18144+18233)						
Opmerking Euro 3/4/5 toegevoegd.(Layout)						
Topsleeper met sky lights toegevoegd.(Pr. 10847)						
modification description		date	drawn by	auth. by	mod.no.	issue
general tolerances	tolerance principle	title				
for drawing interpretation, see DAF standards	material	FT CF 75/85 EURO 3/4/5				
surfaces/corners	heat/surface treatment	WB 380 LHD/RHD				
	/	LEAF SUSPENS. FRONT + REAR				
		Proj.10680 - 10840				
authorised by	date	paint specification	size	scale	sheet	model number
			SP	1:30	1 of 1	
drawn by	date	prod.grp spec. spec. indicat.	third angle projection		This drawing is the property of DAF-Trucks N.V. Eindhoven, the Netherlands and may not be copied in whole or in part without the prior written consent of the owner.	
R. Bosmans	060106				drawing/issue number	
source	replacement for	replaced by	1668022/02			
			CAD Unigraphics II			