

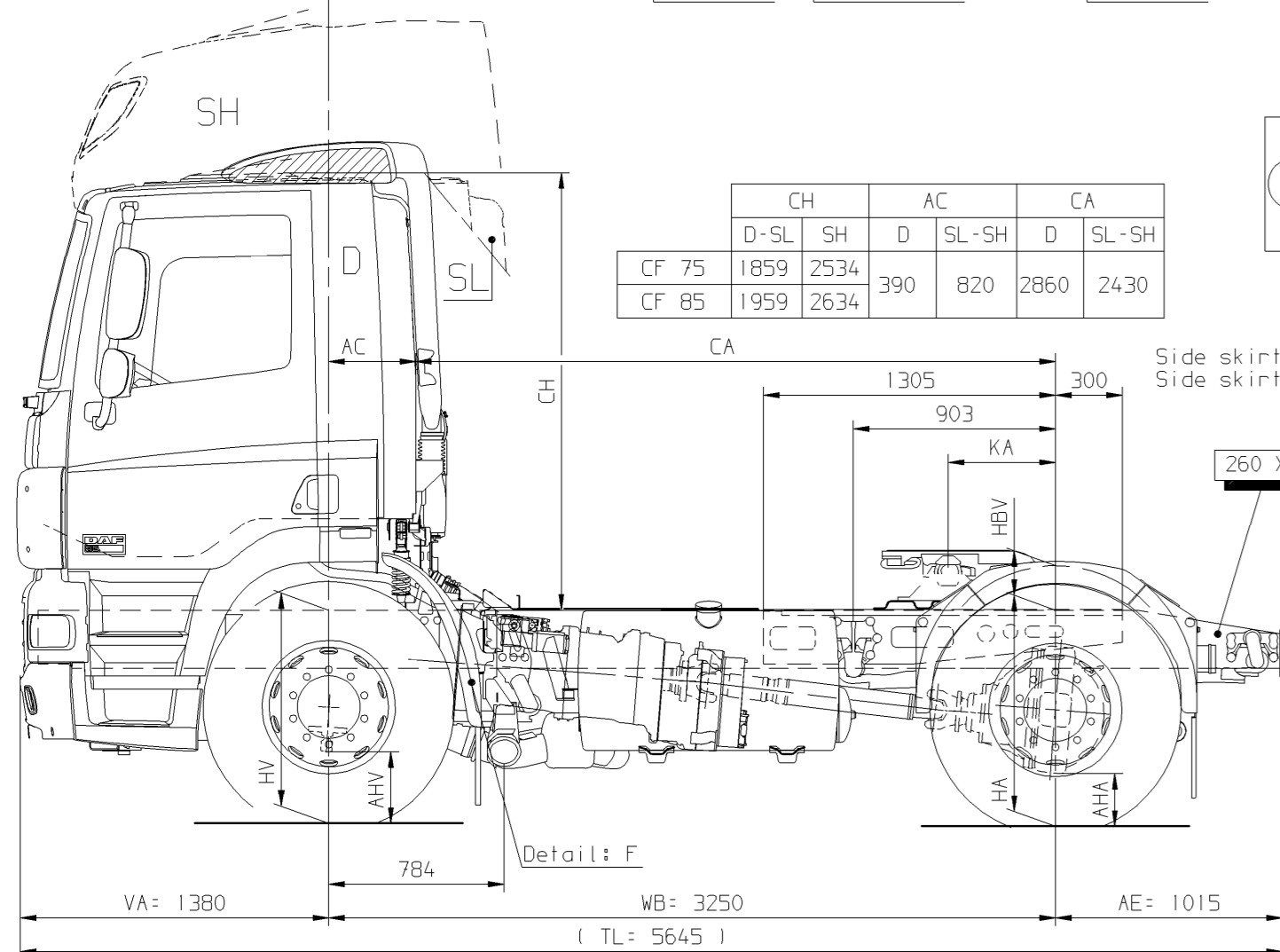
Situatie 100L. AdBluetank
Version 100L. AdBluetank

①	Euro 3	Zonder AdBluetank + EAS brandstofleidingen Without AdBluetank + EAS fuelpiping
	Euro 4/5	Met AdBluetank + EAS brandstofleidingen With AdBluetank + EAS fuelpiping

	CH		AC		CA	
	D-SL	SH	D	SL-SH	D	SL-SH
CF 75	1859	2534	390	820	2860	2430
CF 85	1959	2634				

Side skirts zie, detail: S.
Side skirts see, detail: S.

260 X 75 X 7



GEEN MATEN VAN TEKENING OPMETEN.
WIJZIGINGEN ZONDER VOORAFGAANDE KENNISGEVING VOORBEHOUDEN.
VOOR UITVOERING VAN HET VOERTUIG RAADPLEGE MEN DE ORDERBEVESTIGING.

DO NOT SCALE DRAWING.
SUBJECT TO MODIFICATION WITHOUT PRIOR NOTICE.
PLEASE SEE NOTE FOR DEFINITE VEHICLE EXECUTION.

NE RIEN RELEVER DU DESSIN.
SOUS RESERVE DE MODIFICATIONS SANS AVIS PREALABLE.
VEUILLEZ CONSULTER LE BON DE COMMANDE POUR L'EQUIPEMENT DU VEHICULE CONCERNE.

KEINE ZEICHNUNGSMASSE AUFMESSEN.
ÄNDERUNGEN OHNE VORANKUNDIGUNG VORBEHALTEN.
DIE AUSFUHRUNG DES BETREFFENDEN FAHRZEUGS ENTNEHME MAN DER AUFTRAGSBESTÄTIGUNG.

Getekende situatie CF85 Euro 4/5.
Drawing represents CF85 Euro 4/5.
Le plan se rapporte au CF85 Euro 4/5.
Situation auf Zeichnung CF85 Euro 4/5. — LHD D-cab.

Details	Drawing Number
Details A t/m C	1668101
Details D t/m F	1668102
Details G	1668103
Details H + K	1668104
Details J	1668105
Details L	1668106
Details M	1668107
Details N t/m T	1668108
Details U	1668109
Details R/V/W	1668110

	Drawing Number
For chassis height FRONT - REAR see	1668111
For kabines see	1668119
For suspensions REAR see	1668120
For Tyres and wheels see	1260799

Versn.bak gew. Ecosplit4-int.3+100L. AdBluetank toeg.(pr.10840)	090420	RBO		10663	02
Luchtkefel 20L. AE verplaatst onder chassis.(DMR 18625b)					
Ureumtank 75L. was 50L.(Inq. N0962A)	070913	RBO		10663	01
Spiegels gewijzigd.(D.M.R.'s 18144+18233)					
Opmerking Euro 3/4/5 toegevoegd.(Layout)					
Topsleeper met sky lights toegevoegd.(Pr. 10847)					
modification description					
general tolerances		tolerance principle	title		
for drawing interpretation, see DAF standards		material	FT CF 75/85 EURO 3/4/5		
surfaces/corners		heat/surface treatment	WB 325 LHD/RHD		
		/	LEAF SUSPENS. FRONT + REAR		
			size	scale	sheet
			SP	1:30	1 of 1
authorised by		date	paint specification	third angle projection	This drawing is the property of DAF-Trucks N.V. Eindhoven, the Netherlands and may not be copied in whole or in part without the prior written consent of the owner.
R. Bosmans		060106			
drawn by		date	prod.grp spec.	spec. indicat.	drawing/issue number
					1668017/02
source		replacement for		replaced by	
				CAD Unigraphics II	