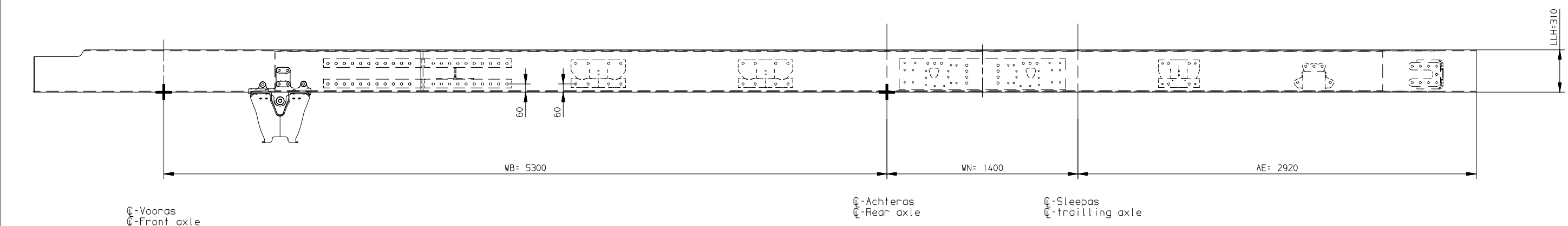
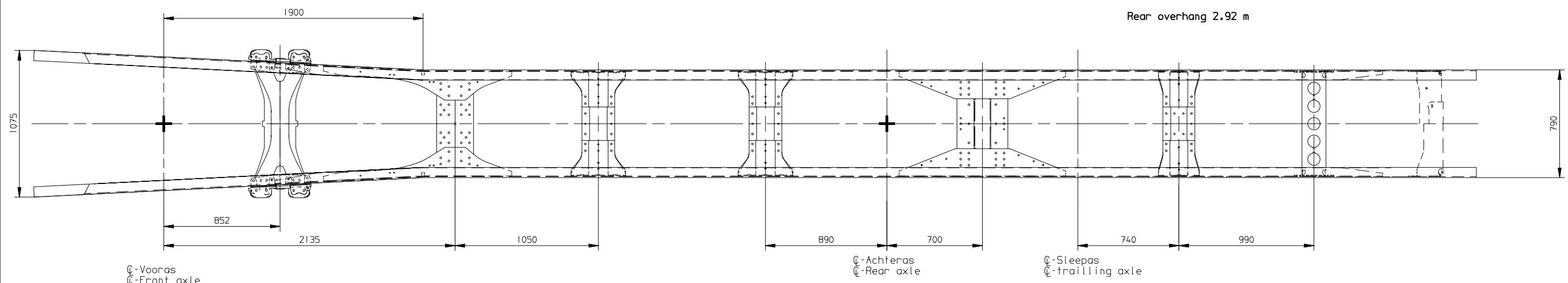
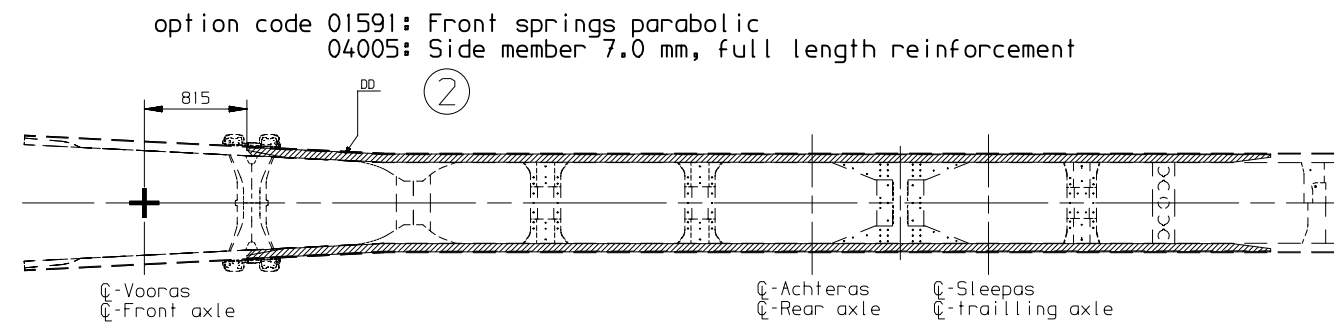


Details Chassis Frame
Scale 1:30.



Details internal reinforcements
Scale 1:60.



Chassis Frames / internal reinforcements dimensions

Front springs	Front axle load	LLH	DD
Parabolic	9 ton	310	8125x295x65x5 ②

GEEN MATEN VAN TEKENING OPMETEN.
WIJZIGINGEN ZONDER VOORAFGAANDE KENNISGEVING VOORBEHOUDEN.
VOOR UITVOERING VAN HET VOERTUIG RAADPLEGE
MEN DE ORDERBEVESTIGING.
VOOR AFMETINGEN VAN DE LANGSLIGGERS ZIE DETAIL:B.

DO NOT SCALE DRAWING.
SUBJECT TO MODIFICATION WITHOUT PRIOR NOTICE.
PLEASE SEE NOTE FOR DEFINITE VEHICLE LAY-OUT.
FOR THE SECTIONAL DIMENSIONS OF THE MAIN GIRDERS,
SEE DETAIL:B.

NE RIEN RELEVER DU DESSIN.
SOUS RESERVE DE MODIFICATIONS SANS AVIS PREALABLE.
VEUILLEZ CONSULTER LE BON DE COMMANDE
POUR L'EQUIPEMENT DU VEHICULE CONCERNE.
EN CE QUI CONCERNE LA SECTION DES LONGERONS VOIR DETAIL:B.

KEINE ZEICHNUNGSMASSE AUFMESSEN.
ANDERUNGEN OHNE VORANKUNDIGUNG VORBEHALTEN.
DIE AUSFUHRUNG DES BETREFFENDEN FAHRZUEGS
ENTNEHME MAN DER AUFTRAGSBESTATIGUNG.
FUR DIE SCHNITTMASSE DER LANGSTRAGER SIEHE DETAIL:B.

"D" = DAGKABINE SLAAPKABINE SLAAPHOOGKABINE
DAY KAB SLEEPER KAB HIGH-ROOF SLEEPER KAB
CABINE COURTE "SL" = CABINE PROFONDE "SH" = CABINE PROFONDE SURELEVEE
NORMALFAHRERHAUS FERNFAHRERHAUS GROBRaumFERNFAHRERHAUS

Q-V-AS = Q-VOORAS Q-A-AS = Q-ACHTERAS Q-KAB = Q-KABINE
-FRONT AXLE -REAR AXLE -KAB
-ESSIEU AVANT -ESSIEU ARRIERE -CABINE
-VORDERACHSE -HINTERACHSE -FAHRERHAUS

1) = BLADVERING - VOOR + ACHTER
LEAF SUSPENSION - FRONT + REAR
SUSPENSION A LAMES - AVANT + ARRIERE
BLATTFEDERUNG - VORN + HINTER

2) = BLADVERING - VOOR + LUCHTVERING - ACHTER
LEAF SUSPENSION - FRONT + AIR SUSPENSION - REAR
SUSPENSION A LAMES - AVANT + SUSPENSION PNEUMATIQUE - ARRIERE
BLATTFEDERUNG - VORN + LUFTFEDERUNG - HINTER

3) = LUCHTVERING - VOOR + ACHTER
AIR SUSPENSION - FRONT + REAR
SUSPENSION PNEUMATIQUE - AVANT + ARRIERE
LUFTFEDERUNG - VORN + HINTEN

DETAILS CHASSIS FRAMES.

Wheelbase 5.30 m i.c.w. 1344/1347 Single reduction rear axle.
Front springs parabolic - Rear springs air.

modification description	tolerance principle	title	date	mod.by	issue
general tolerances	①	CF FAS E6 K8729A (TAIWAN)			
TKB 00801-050		DETAILS CHASSIS FRAMES WB530			
surfaces/corners	heat/surface treatment	size	scale	sheet	model number
	/	SP	1:30	1 of 1	
authorised by	date	paint specification	third angle projection	This drawing is the property of DAF-Trucks N.V., Eindhoven, the Netherlands and may not be copied in whole or in part without the prior written consent of the owner.	
drawn by	date	prod.grp spec. spec. indicat.		drawing/issue number	
V.Patil	190403			1941171/00	
source	replacement for	replaced by	CAD Unigraphics II		