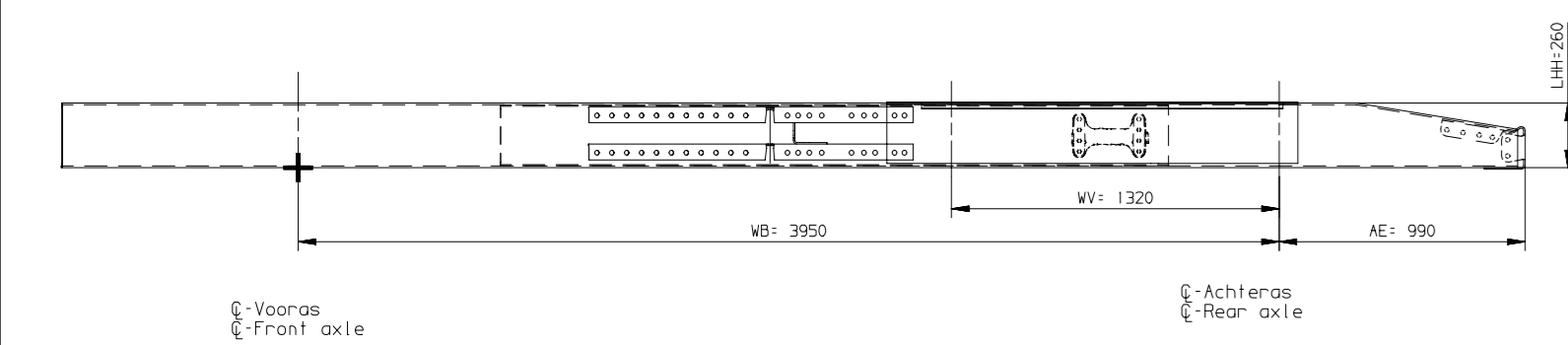
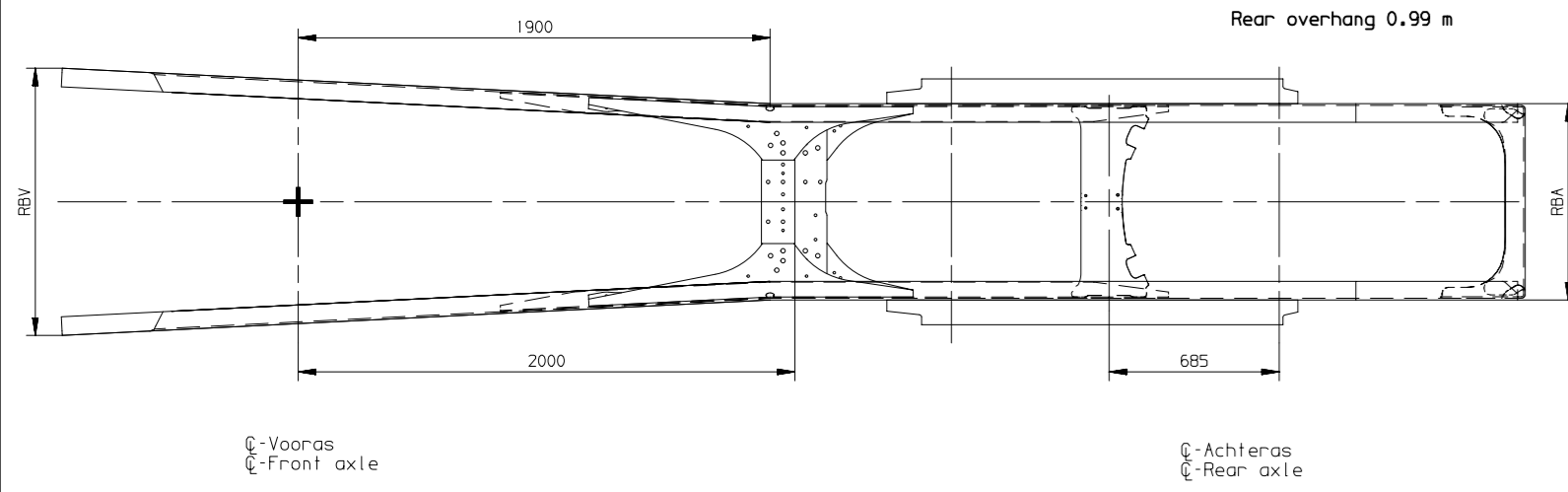
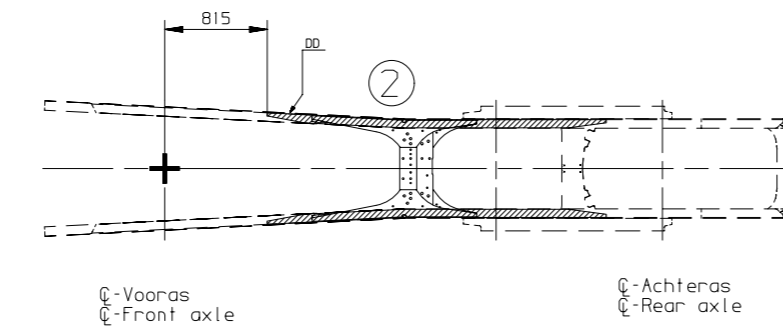


Details Chassis Frame
Scale 1:30.



Option code 00220: Front springs leaf
04002: Side member 7.0 mm, front reinforcement



Chassis Frames / internal reinforcements dimensions

Front springs	Front axle load	LLH	RBV	RBA	DD
Leaf	8 ton	260x75x7	1075	790	2690x245x65x5

GEEN MATEN VAN TEKENING OPMETEN.
WIJZIGINGEN ZONDER VOORAFGAANDE KENNISGEVING VOORBEHOUDEN.
VOOR UITVOERING VAN HET VOERTUIG RAADPLEGE
MEN DE ORDERBEVESTIGING.
VOOR AFMETINGEN VAN DE LANGSLIGGERS ZIE DETAIL:B.

DO NOT SCALE DRAWING.
SUBJECT TO MODIFICATION WITHOUT PRIOR NOTICE.
PLEASE SEE NOTE FOR DEFINITE VEHICLE LAY-OUT.
FOR THE SECTIONAL DIMENSIONS OF THE MAIN GIRDERS,
SEE DETAIL:B.

NE RIEN RELEVER DU DESSIN.
SOUS RESERVE DE MODIFICATIONS SANS AVIS PREALABLE.
VEUILLEZ CONSULTER LE BON DE COMMANDE
POUR L'EQUIPEMENT DU VEHICULE CONCERNE.
EN CE QUI CONCERNE LA SECTION DES LONGERONS VOIR DETAIL:B.

KEINE ZEICHNUNGSMASSE AUFMESSEN.
ANDERUNGEN OHNE VORANKUNDIGUNG VORBEHALTEN.
DIE AUSFUHRUNG DES BETREFFENDEN FAHRZUEGS
ENTNEHME MAN DER AUFTRAGSBESTATIGUNG.
FUR DIE SCHNITTMASSE DER LANGSTRAGER SIEHE DETAIL:B.

"D" = DAGCABINE SLAAPCABINE SLAAPHOOGCABINE
DAY CAB SLEEPER CAB HIGH-ROOF SLEEPER CAB
CABINE COURTE "SL" = CABINE PROFONDE "SH" = CABINE PROFONDE SURELEVEE
NORMALFAHRERHAUS FERNFAHRERHAUS GROBRUAUMFERNFAHRERHAUS

Q-V-AS = Q-VOORAS Q-ACHTERAS Q-CABINE
-FRONT AXLE -REAR AXLE -CAB
-ESSIEU AVANT -ESSIEU ARRIERE -CABINE
-VORDERACHSE -HINTERACHSE -FAHRERHAUS

1) = BLADVERING - VOOR + ACHTER
LEAF SUSPENSION - FRONT + REAR
SUSPENSION A LAMES - AVANT + ARRIERE
BLATTFEDERUNG - VORN + HINTER

2) = BLADVERING - VOOR + LUCHTVERING - ACHTER
LEAF SUSPENSION - FRONT + AIR SUSPENSION - REAR
SUSPENSION A LAMES - AVANT + SUSPENSION PNEUMATIQUE - ARRIERE
BLATTFEDERUNG - VORN + LUFTFEDERUNG - HINTER

3) = LUCHTVERING - VOOR + ACHTER
AIR SUSPENSION - FRONT + REAR
SUSPENSION PNEUMATIQUE - AVANT + ARRIERE
LUFTFEDERUNG - VORN + HINTER

DETAILS CHASSIS FRAMES.

Wheelbase 3.95 m i.c.w. 1344/1347 Single reduction rear axle.
Front springs parabolic - Rear springs air.

modification description	tolerance principle	title	date	mod.by	issue
general tolerances	①	CF FTG E6 L8769G (TAIWAN)			
for drawing interpretation, see DAF standards	material	DETAILS CHASSIS FRAMES WB395			
surfaces/corners	heat/surface treatment	size	scale	sheet	model number
	/	SP	1:30	1 of 1	
authorised by	date	paint specification	third angle projection	This drawing is the property of DAF-Trucks N.V., Eindhoven, the Netherlands and may not be copied in whole or in part without the prior written consent of the owner.	
			☉		
drawn by	date	prod.grp spec. spec. indicat.	drawing/issue number		
V.Patil	190403		1930995/00		
source	replacement for	replaced by	CAD Unigraphics II		