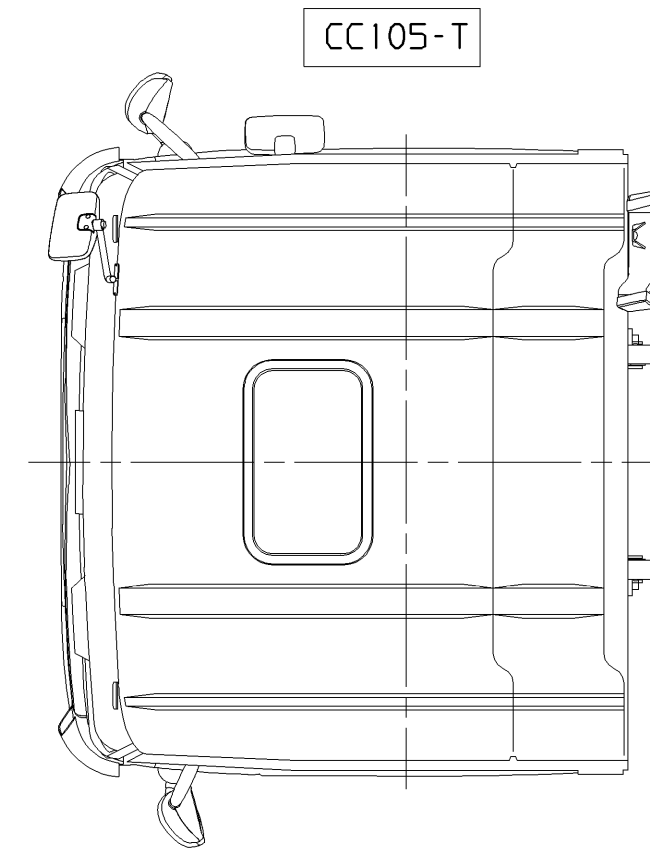
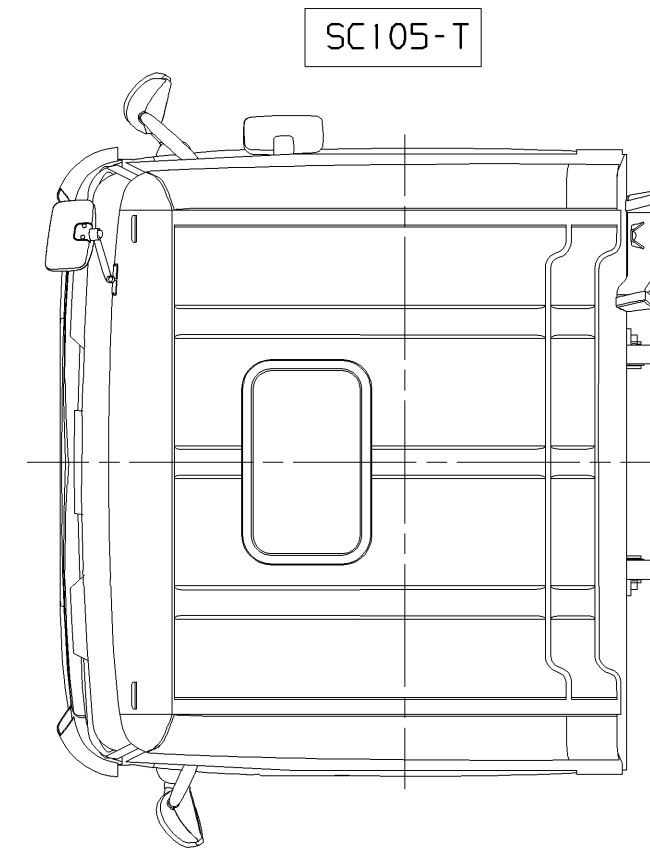


"XL"
XF 95 COMFORT CAB



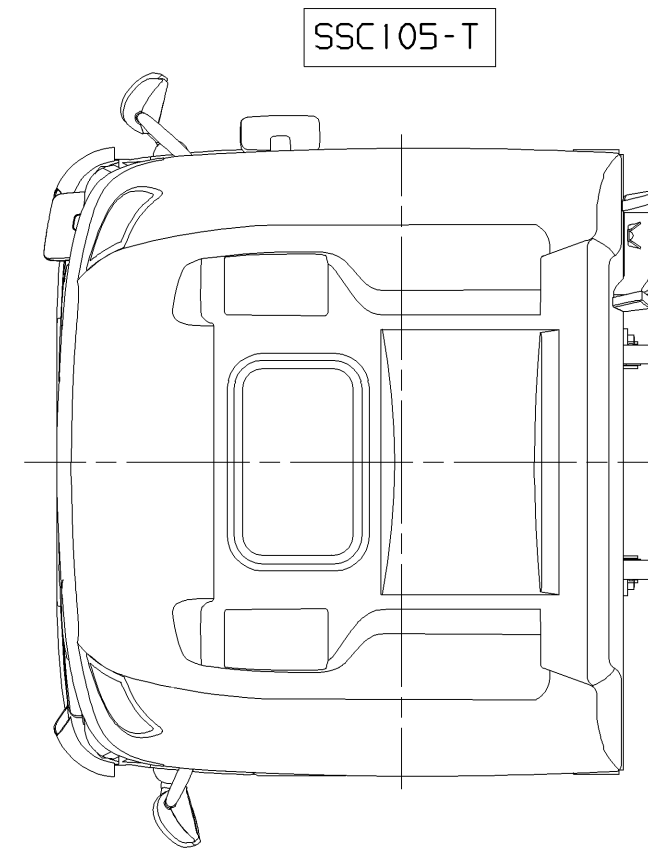
CC105-T

"XH"
XF 105 SPACE CAB



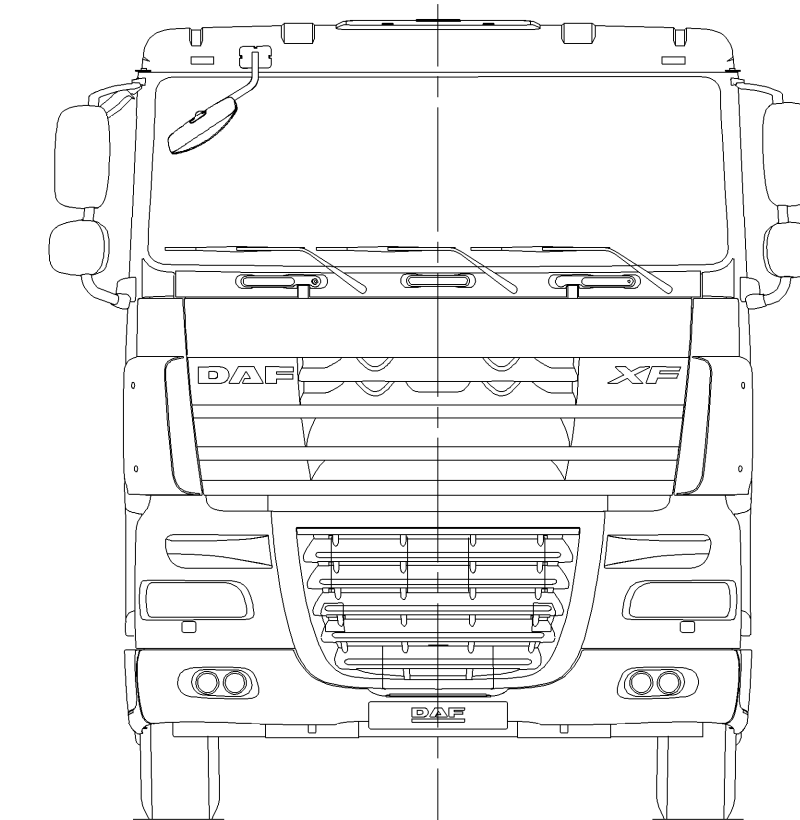
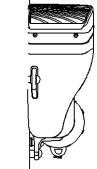
SC105-T

"XC"
XF 105 SUPER SPACE CAB

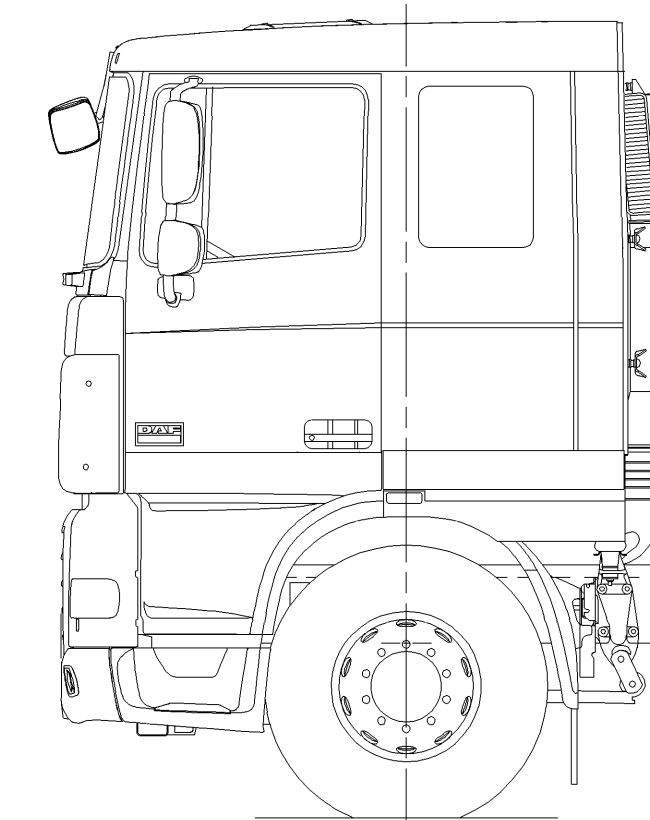


SSC105-T

SSC105-T-cyclone



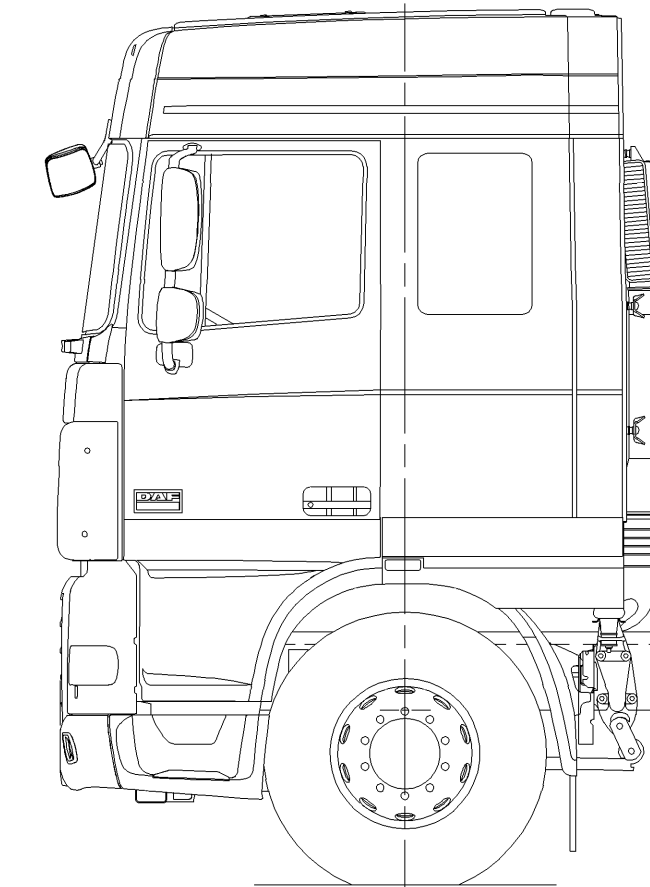
CC105-F



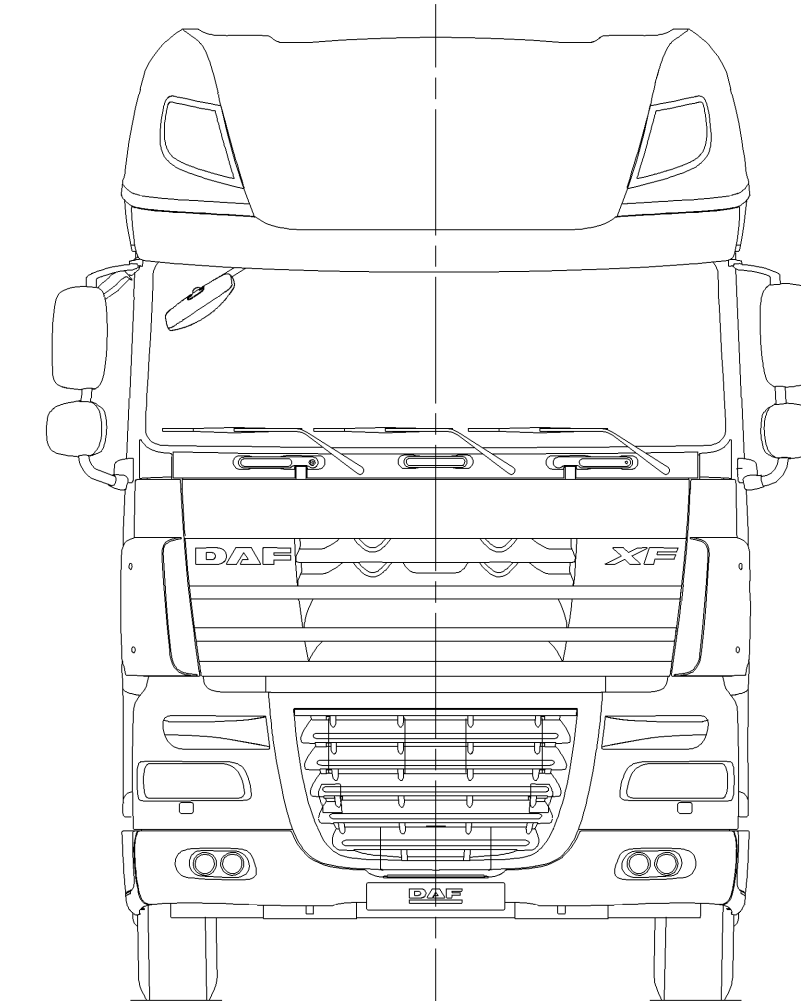
CC105-S



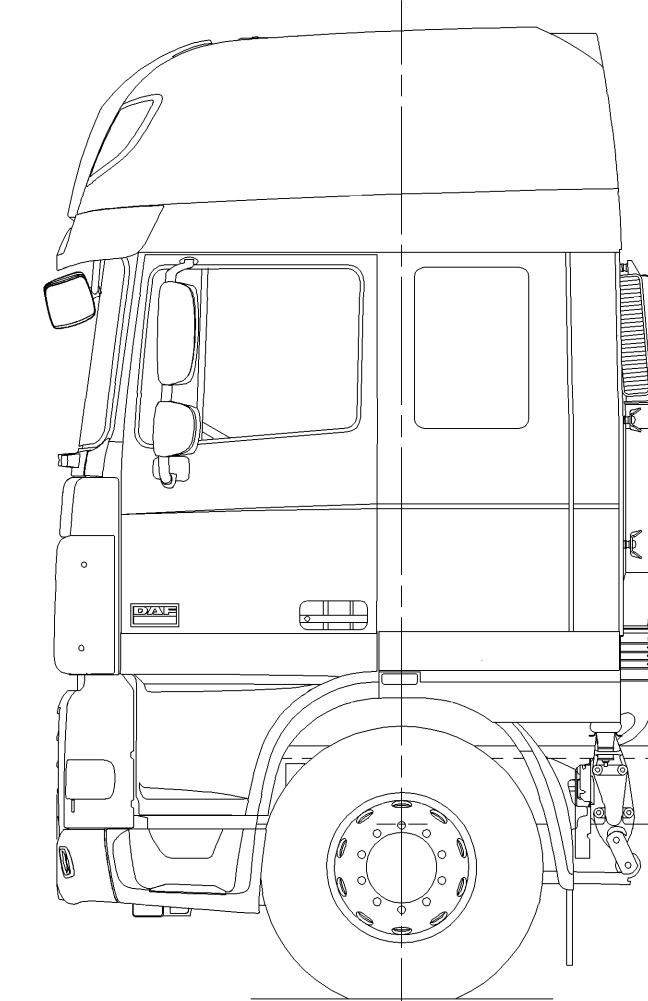
SC105-F



SC105-S

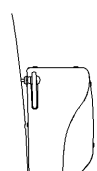


SSC105-F



SSC105-S

SSC105-S-cyclone



GEEN MATEN VAN TEKENING OPMETEN.
WIJZIGINGEN ZONDER VOORAFGAANDE KENNISGEVING VOORBEHOUDEN.
VOOR UITVOERING VAN HET VOERTUIG RAADPLEGE
MEN DE ORDERBEVESTIGING.

DO NOT SCALE DRAWING.
SUBJECT TO MODIFICATION WITHOUT PRIOR NOTICE.
PLEASE SEE NOTE FOR DEFINITE VEHICLE LAY-OUT.
FOR THE SECTIONAL DIMENSIONS OF THE MAIN GIRDERS.

NE RIEN RELEVER DU DESSIN.
SOUS RESERVE DE MODIFICATIONS SANS AVIS PREALABLE.
VEUILLEZ CONSULTER LE BON DE COMMANDE
POUR L'EQUIPEMENT DU VEHICULE CONCERNE.

KEINE ZEICHNUNGSMASSE AUFMESSEN.
ANDERUNGEN OHNE VORANKUNDIGUNG VORBEHALTEN.
DIE AUSFUHRUNG DES BETREFFENDEN FAHRZEUGS
ENTNEHME MAN DER AUFTRAGSBESTATIGUNG.

modification description	date	drawn by	auth. by	mod.no.	issue
general tolerances					
for drawing interpretation, see DAF standards					
surfaces/corners	heat/surface treatment	size	scale	sheet	model number
authorised by	date	point specification	third angle projection	This drawing is the property of DAF-Trucks N.V., Eindhoven, the Netherlands and may not be copied in whole or in part without the prior written consent of the owner.	
drawn by	date	prod.grp spec. spec. indicat.		drawing/issue number	
source	replacement for	replaced by	CAD Unigraphics II		

OVERZICHT KABINE'S
XF 105 EURO 3/4/5

Project 10860

SP 1:30 1 of 1

1807187/00