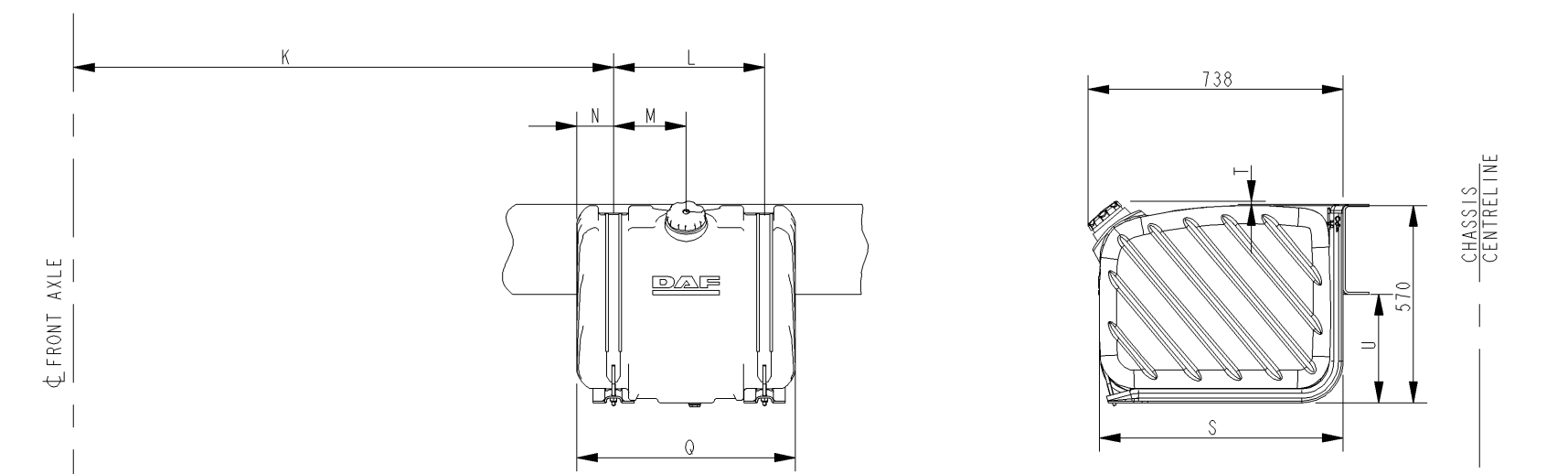


DETAIL 'L' COMPOSITE FUEL TANKS



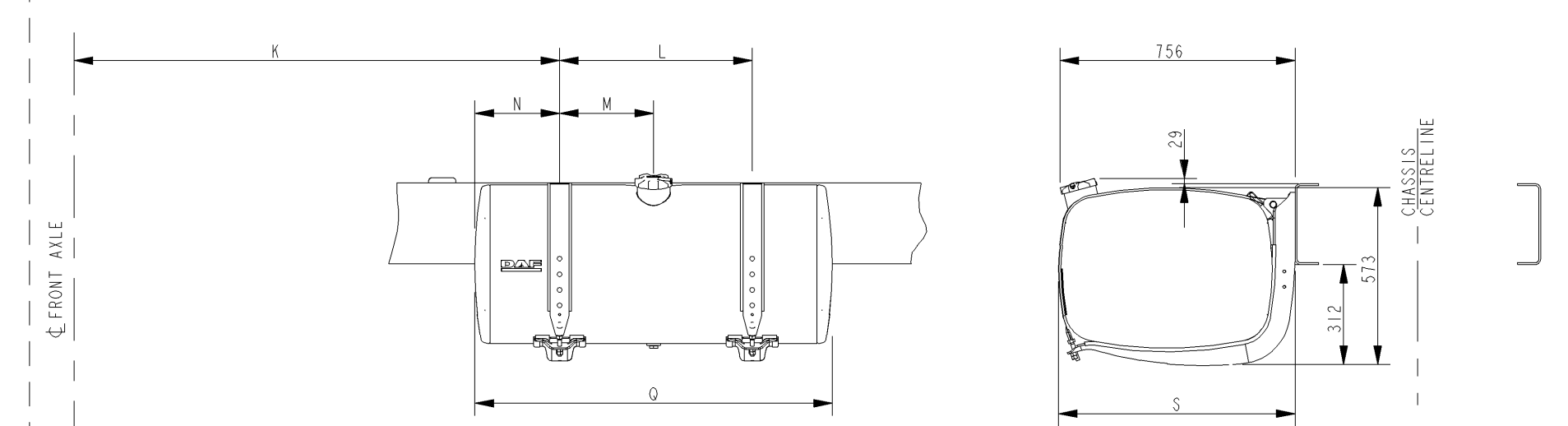
150 LITRE & 200 LITRE FUEL TANK STANDARD POSITION

OIL TANKS POSITIONS FOR 26 LITER UREA TANK HAULAGE/TIPPER - DIM'N IN "mm"											
TANK CAPACITY	WHEEL BASE	EXHAUST DISCHARGE	PACKER OF FRAME	DIM 'K'	DIM 'L'	DIM 'M'	DIM 'N'	DIM 'O'	DIM 'S'	DIM 'T'	DIM 'U'
150 LITRE	3250 & 3500	CENTRE, LH (REAR OF TANK)	-	1562.5	437	210	107	633	706	9	313
150 LITRE	3250 & 3500	LH (FORWARD OF TANK), VERTICAL	40	1562.5	437	210	107	633	746	9	313
150 LITRE	3800 & 6300	CENTRE, LH (REAR OF TANK)	-	1745.5	437	210	107	633	706	9	313
150 LITRE	3800 & 6300	LH (FORWARD OF TANK), VERTICAL	40	1745.5	437	210	107	633	746	9	313
200 LITRE	3250 & 3500	CENTRE, LH (REAR OF TANK)	-	1562.5	437	218.5	155	747	706	9	313
200 LITRE	3250 & 3500	LH (FORWARD OF TANK), VERTICAL	40	1562.5	437	218.5	155	747	746	9	313
200 LITRE	3800 & 6300	CENTRE, LH (REAR OF TANK)	-	1745.5	437	218.5	155	747	706	9	313
200 LITRE	3800 & 6300	LH (FORWARD OF TANK), VERTICAL	40	1745.5	437	218.5	155	747	746	9	313

OIL TANKS POSITIONS FOR 70 LITER UREA TANK HAULAGE/TIPPER - DIM'N IN "mm"											
TANK CAPACITY	WHEEL BASE	EXHAUST DISCHARGE	PACKER OF FRAME	DIM 'K'	DIM 'L'	DIM 'M'	DIM 'N'	DIM 'O'	DIM 'S'	DIM 'T'	DIM 'U'
150 LITRE	3800 & 6300	CENTRE, LH (REAR OF TANK)	-	1745.5	437	210	107	633	706	9	313
150 LITRE	3800 & 6300	LH (FORWARD OF TANK), VERTICAL	40	1745.5	437	210	107	633	746	9	313
200 LITRE	3800 & 6300	CENTRE, LH (REAR OF TANK)	-	1745.5	437	218.5	155	747	706	9	313
200 LITRE	3800 & 6300	LH (FORWARD OF TANK), VERTICAL	40	1745.5	437	218.5	155	747	746	9	313

OIL TANKS POSITIONS FOR 26 LITER UREA TANK TRACTOR - DIM'N IN "mm"											
TANK CAPACITY	WHEEL BASE	EXHAUST DISCHARGE	PACKER OF FRAME	DIM 'K'	DIM 'L'	DIM 'M'	DIM 'N'	DIM 'O'	DIM 'S'	DIM 'T'	DIM 'U'
150 LITRE	3130 AIR	CENTRE, LH (REAR OF TANK)	-	1712	403.5	202	115	633	712	28.5	294
150 LITRE	3500 AIR	CENTRE, LH (REAR OF TANK)	-	1931	437	210	107	633	712	27	295.5
200 LITRE	3500 AIR	CENTRE, LH (REAR OF TANK)	-	1931	437	218.5	155	747	712	27	295.5

DETAIL 'L' FRAME MOUNTED - REAR OF F/TANK ON SIDE MEMBER

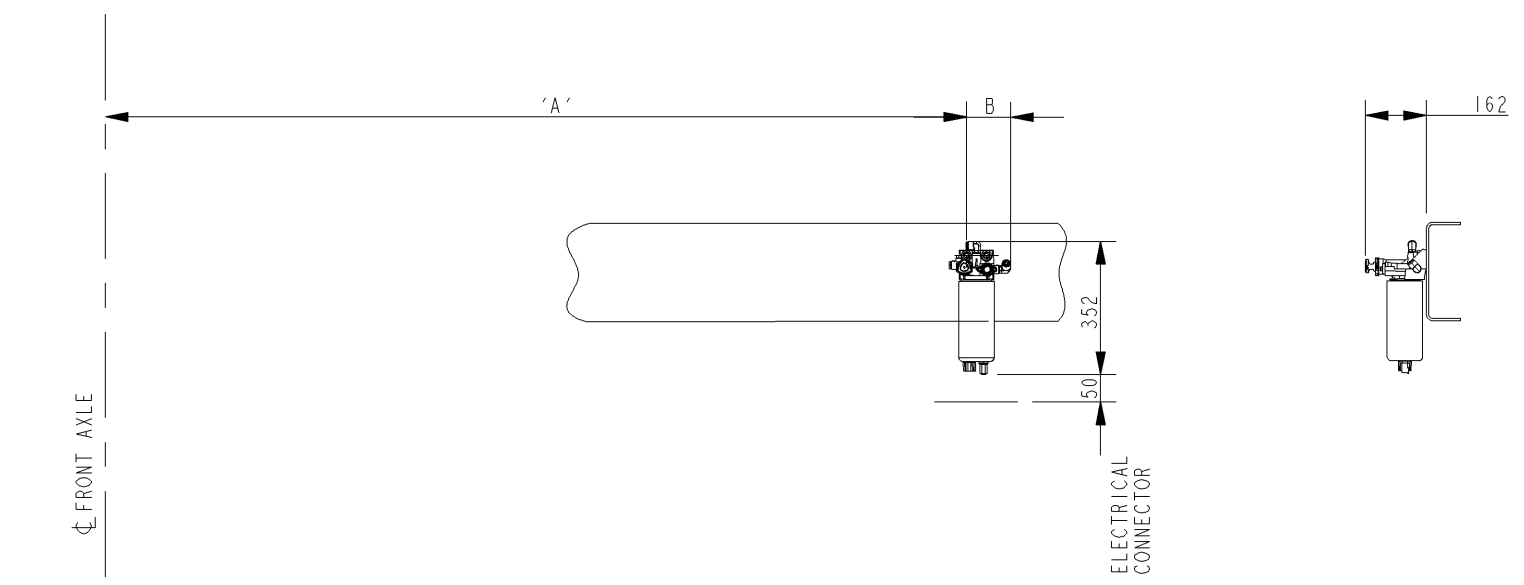


340 LITRE FUEL TANK STANDARD POSITION

OIL TANKS POSITIONS FOR 26 LITER UREA TANK HAULAGE/TIPPER - DIM'N IN "mm"											
TANK CAPACITY	WHEEL BASE	EXHAUST DISCHARGE	PACKER OF FRAME	DIM 'K'	DIM 'L'	DIM 'M'	DIM 'N'	DIM 'O'	DIM 'S'	DIM 'T'	DIM 'U'
340 LITRE	3500 AIR, 3800 TO 6300	CENTRE, LH (REAR OF TANK)	-	1562.5	620	302.5	272.5	1150	762		
340 LITRE	3500 AIR, 3800 TO 6300	LH (FORWARD OF TANK), VERTICAL	20	1562.5	620	302.5	272.5	1150	782		

OIL TANKS POSITIONS FOR 70 LITER UREA TANK HAULAGE/TIPPER - DIM'N IN "mm"											
TANK CAPACITY	WHEEL BASE	EXHAUST DISCHARGE	PACKER OF FRAME	DIM 'K'	DIM 'L'	DIM 'M'	DIM 'N'	DIM 'O'	DIM 'S'	DIM 'T'	DIM 'U'
340 LITRE	4200 TO 5350	CENTRE, LH (REAR OF TANK)	-	2182.5	620	302.5	272.5	1150	762		
340 LITRE	4200 TO 5350	LH (FORWARD OF TANK), VERTICAL	20	2182.5	620	302.5	272.5	1150	782		
340 LITRE	5900 TO 6300	CENTRE, LH (REAR OF TANK)	-	2272.5	620	302.5	272.5	1150	762		
340 LITRE	5900 TO 6300	LH (FORWARD OF TANK), VERTICAL	20	2272.5	620	302.5	272.5	1150	782		

DETAIL 'L' FRAME MOUNTED - REAR OF F/TANK ON SIDE MEMBER

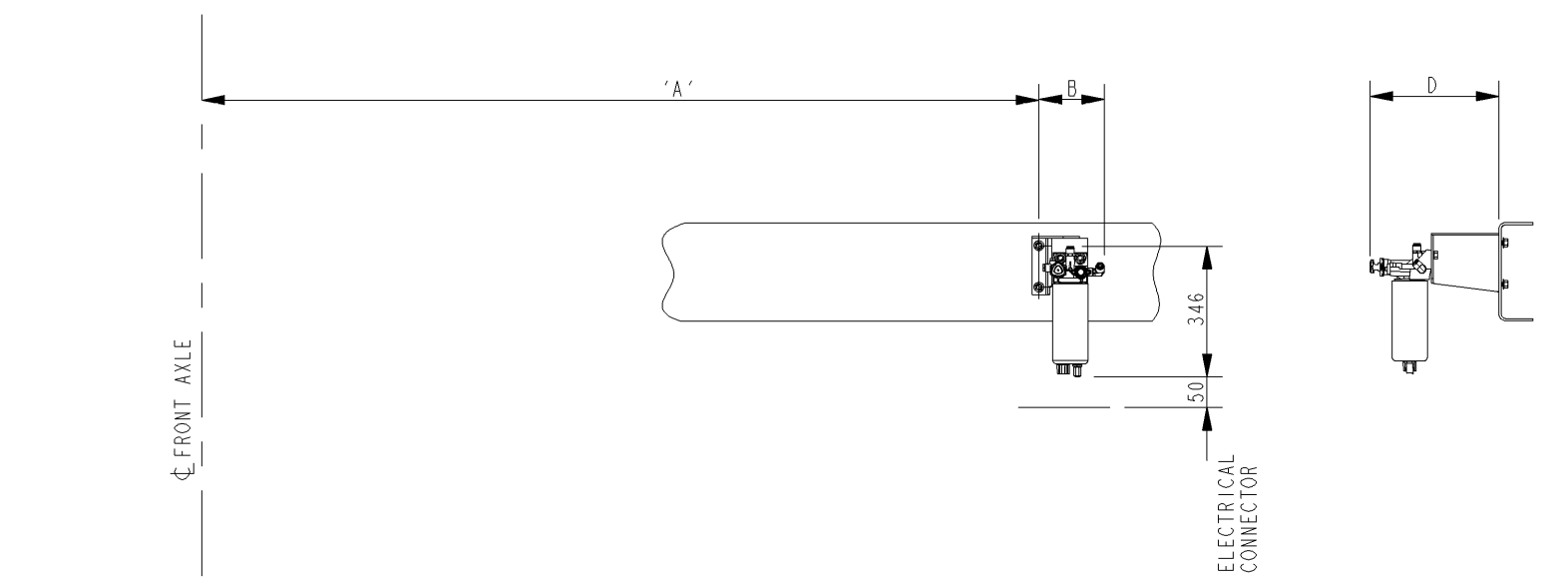


X = OPTION NOT APPLICABLE
Y = OPTION NOT APPLICABLE
SEE OPTION SPACED

W/BASE 'mm'	UREA/FUEL TANK COMBINATIONS HAULAGE/TIPPER - DIM'N 'A' IN mm					B IN 'mm'
3500 AIR	26/150	70/150	26/200	70/200	26/340	117
3800 STEEL/AIR	Y	X	Y	X	2559	
4200 STEEL/AIR					2559	
4500 STEEL/AIR					2911	
4800 STEEL/AIR					2559	
5350 STEEL/AIR						
5900 STEEL/AIR						
6300 STEEL/AIR						

W/BASE 'mm'	UREA/FUEL TANK COMBINATIONS HAULAGE/TIPPER					B IN 'mm'
4200 & ABOVE	R/SUSP	U/TANK	F/TANK	DIM'N 'A' IN 'mm'		108
	STEEL /AIR	70L	340L ALUM	1700.5		

DETAIL 'L' FRAME MOUNTED - REAR OF F/TANK SPACED



W/BASE 'mm'	UREA/FUEL TANK COMBINATIONS HAULAGE/TIPPER				B IN 'mm'	D IN 'mm'
	R/SUSP	U/TANK	F/TANK	DIM'N 'A' IN 'mm'		
3250	STEEL	26L	150/200L	2159	173	342
	AIR			2339.6	199	348
3500	STEEL			2159	173	342
	AIR			2230		

W/BASE 'mm'	UREA/FUEL TANK COMBINATIONS TRACTOR				B IN 'mm'	D IN 'mm'
	R/SUSP	U/TANK	F/TANK	DIM'N 'A' IN 'mm'		
3130	AIR	26L	150L	2219.6	199	348
3500			150/200L	2589.6		

modification description		date	drawn by	auth by	mod.no.	issue
general tolerances	tolerance principle	DETAILS - L & P FA LF 55 Euro 4/5 12-15T				
for drawing interpretation, see DAF standard.	material					
surfaces/corners	heat/surface treatment	size	scale	sheet	model number	
authorised by	date	paint specification	third angle projection	This drawing is the property of DAF - Trucks N.V. Eindhoven. The Netherlands and may not be copied in whole or in part without the prior written consent of the owner.		
drawn by	date	prod. grp. spec.	spec. indicat.	drawing/issue number		
source	replacement for	replaced by		CAD Pro/ENGINEER		