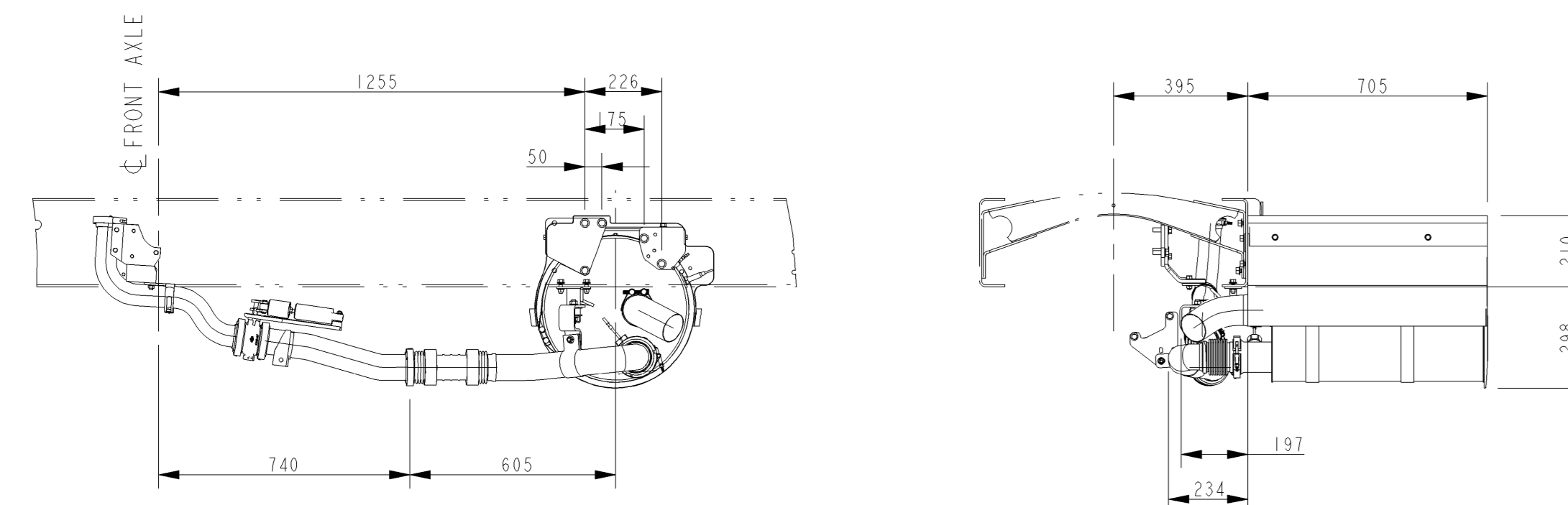
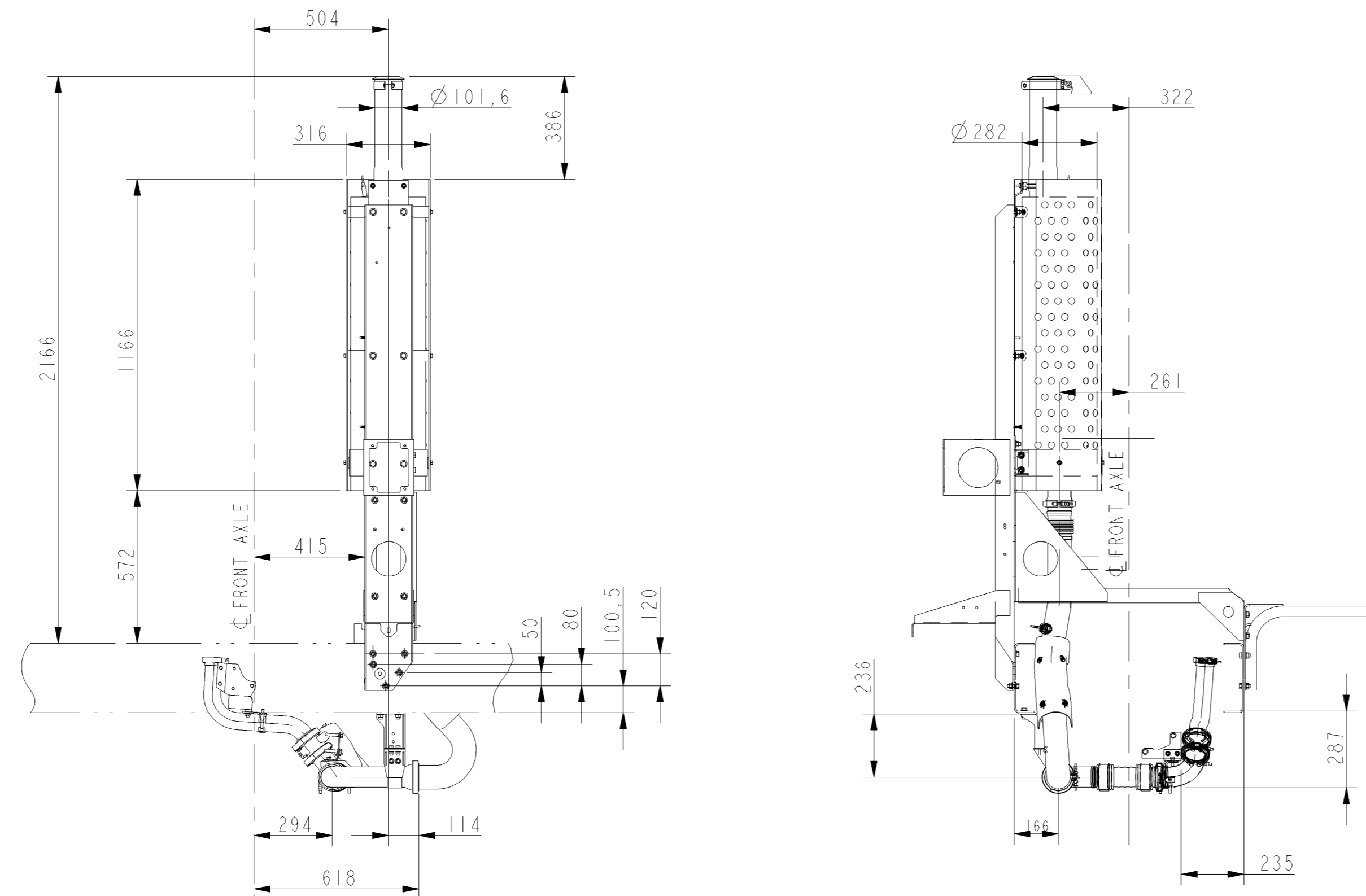


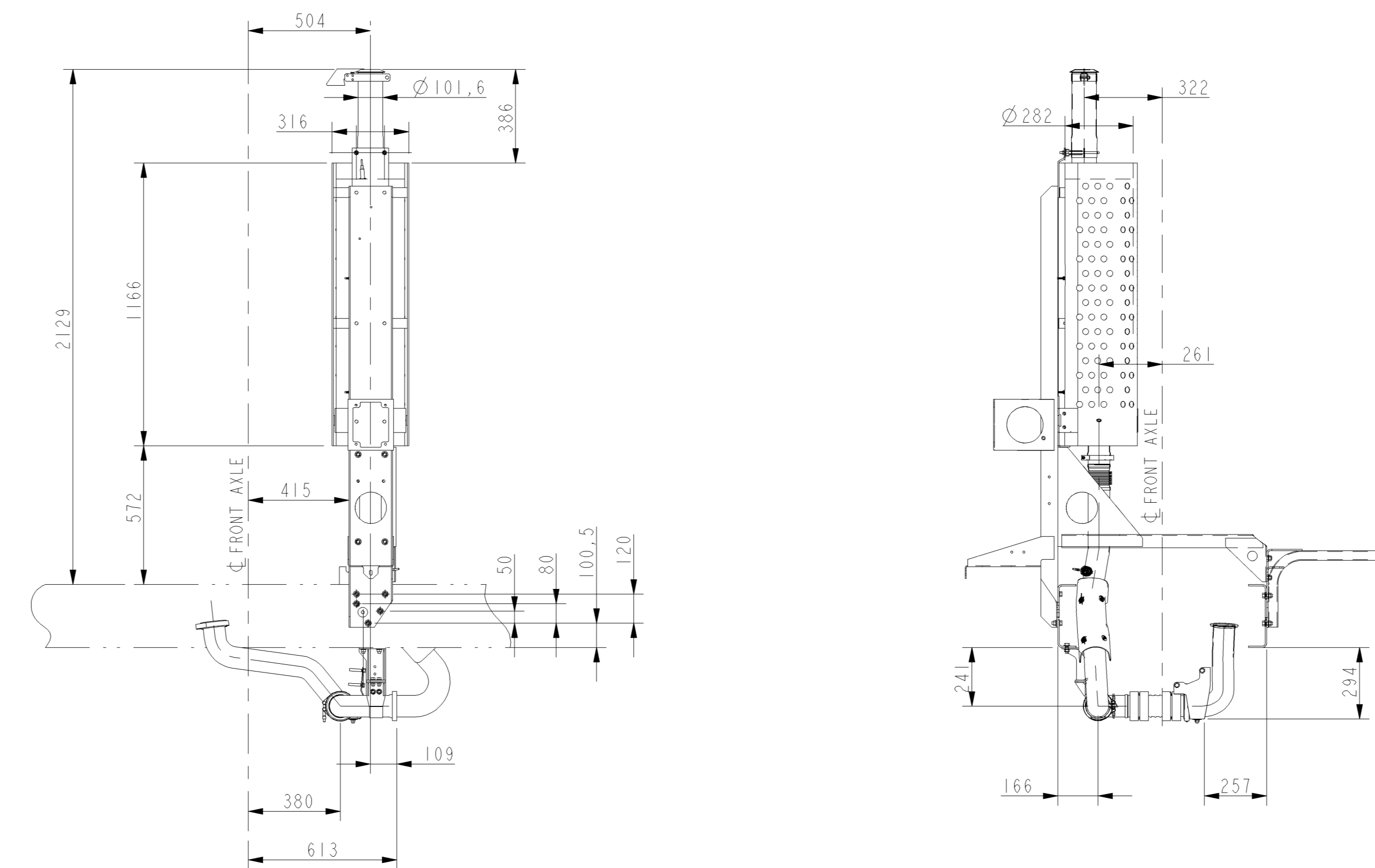
4 CYL ENGINE - DRUM EGP - EXHAUST BRAKE - CENTRE DISCHARGE  
SIDE CRANK REMOVED FOR CLARITY



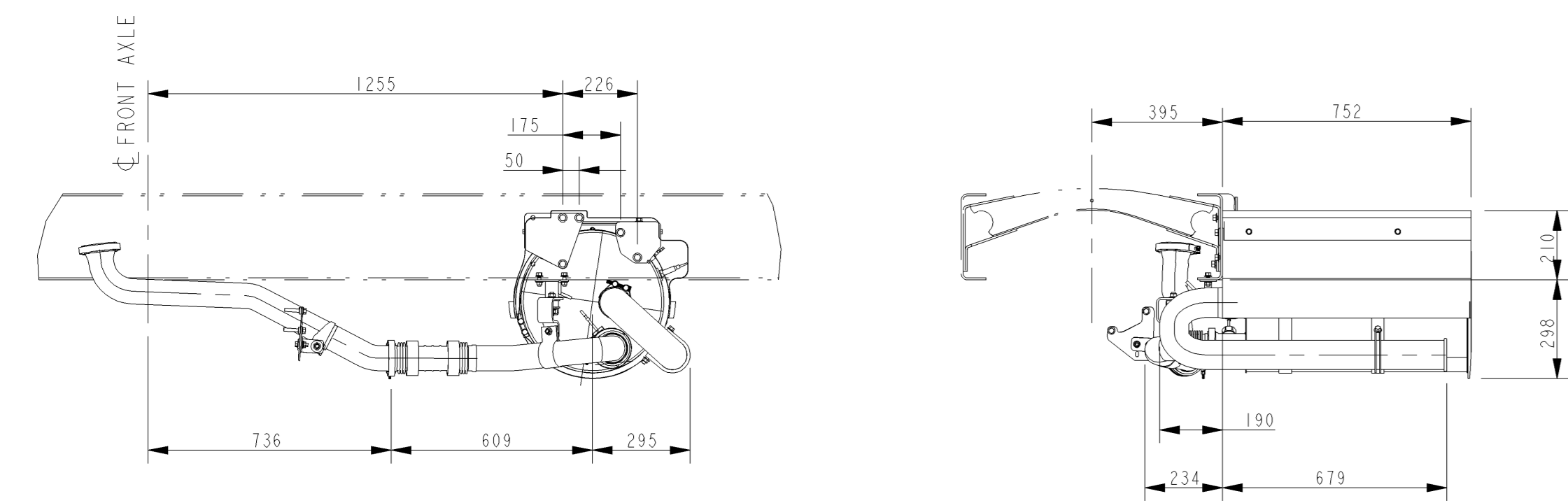
4 CYL ENGINE - VERTICAL SILENCER



6 CYL ENGINE - VERTICAL SILENCER



6 CYL ENGINE - DRUM EGP - EXHAUST BRAKE - CENTRE DISCHARGE  
SIDE CRANK REMOVED FOR CLARITY



\*EURO5 EGP SYSTEMS\*

NOTES:

GEEN MATEN VAN TEKENING OPMETEN.  
WIJZIGINGEN ZONDER VOORAFGAANDE KENNISGEVING VOORBEHOUDEN.  
VOOR UITVOERING VAN HET VOERTUIG RAADPLEEG  
MEN DE ORDERBEVESTIGING.

DO NOT SCALE DRAWING.  
SUBJECT TO MODIFICATION WITHOUT PRIOR NOTICE.  
PLEASE SEE NOTE FOR DEFINITIVE VEHICLE LAY-OUT.

NE RIEN RELEVIER DU DESSIN.  
SOUS RESERVE DE MODIFICATIONS SANS AVIS PREALABLE.  
VEUILLEZ CONSULTER LE BON DE COMMANDE  
POUR LE EQUIPEMENT DU VEHICULE CONCERNE.

KEINE ZEICHNUNGSMASSE AUFMESSEN.  
ÄNDERUNGEN OHNE VORANKÜNDIGUNG VORBEHALTEN.  
DIE AUSFÜHRUNG DES BETREFFENDEN FAHRZEUGS  
ENTNEHME MAN DER AUFTRAGSBESTÄTIGUNG.

EGP length dimension added to details	26/06/09	DA	BG	5710475	D
Euro5 model up-dates added as sheets 3 and 4 Sheets 1 and 2 Euro4 details only	05/05/09	DA	BG	5710400	C
ALL THE VIEWS HAVE BEEN UPDATED WITH THE NOx SENSOR.	10/03/08	MKJ	BG	5700743	B
ADDED DETAILS OF VERTICAL SILENCER FOR 4 & 6 CYL ON SHEET 2	01/10/07	KRD	AH	5700450	A
modification description	date	drawn by	auth by	mod.no.	issue

general tolerances	tolerance principle	title			
for drawing interpretation, see DAF standard.	material	<b>DETAIL - G</b> <b>FA LF 55 Euro 5 12-15T</b>			
surfaces/corners	heat/surface treatment				
authorised by	date	size	scale	sheet	model number
B. Gowans		SP	1:204	4 of 4	
drawn by	date	third angle projection	This drawing is the property of DAF - Trucks N.V. Eindhoven, The Netherlands and may not be copied in whole or in part without the prior written consent of the owner.		
D. Adamson	12/03/09		drawing/issue number		
source	replacement for	prod.gpp.spec.	spec. indicat.	replaced by	
		DAF		NSEA324/D	
				CAD Pro/ENGINEER	