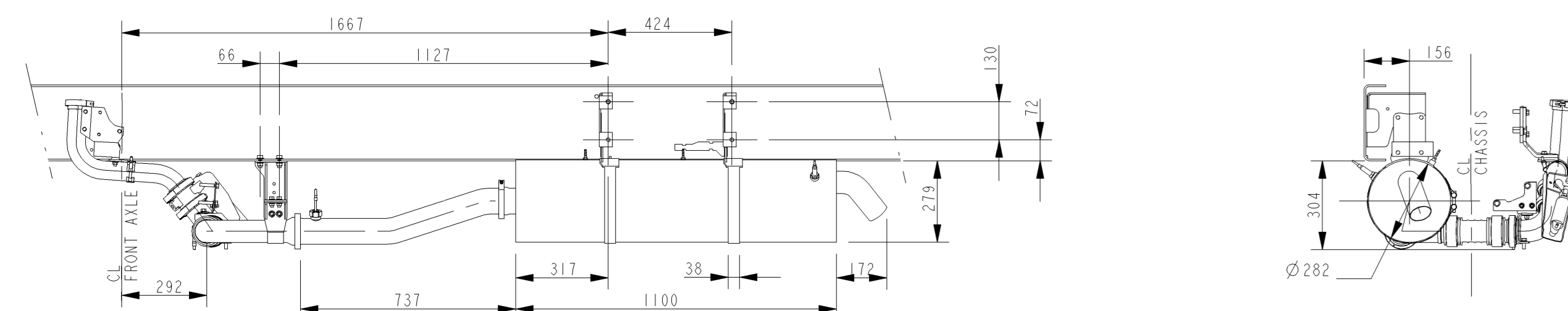
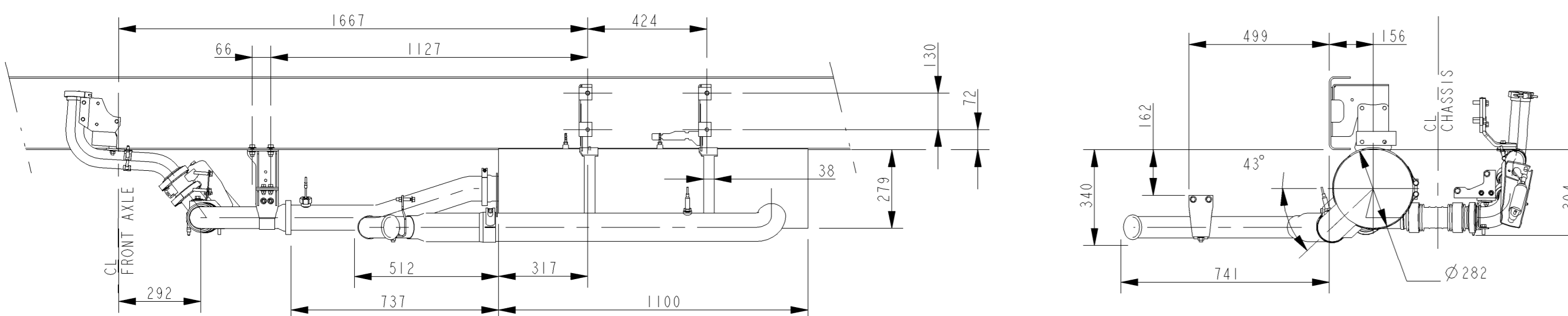


DETAIL 'G'

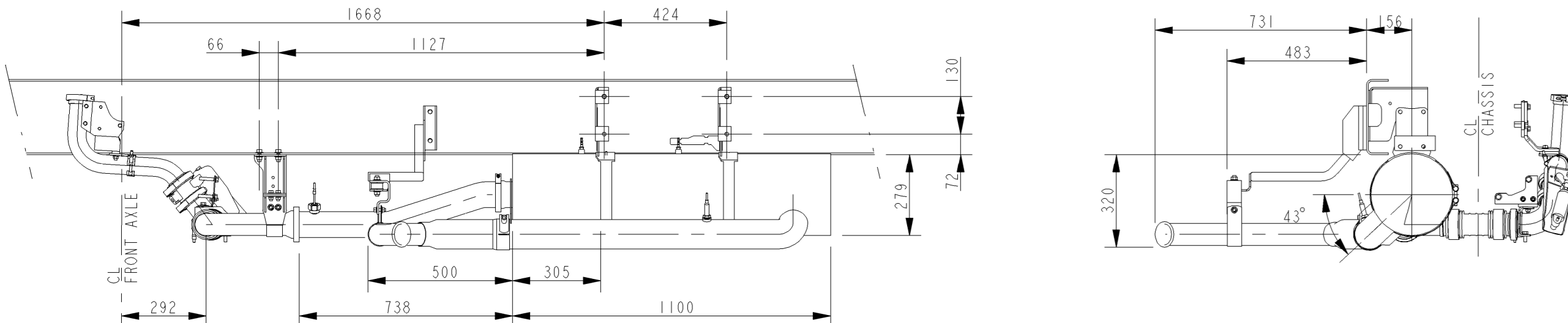
4 CYL ENGINE - EXHAUST BRAKE - CENTRE DISCHARGE
SIDE CRANK REMOVED FOR CLARITY



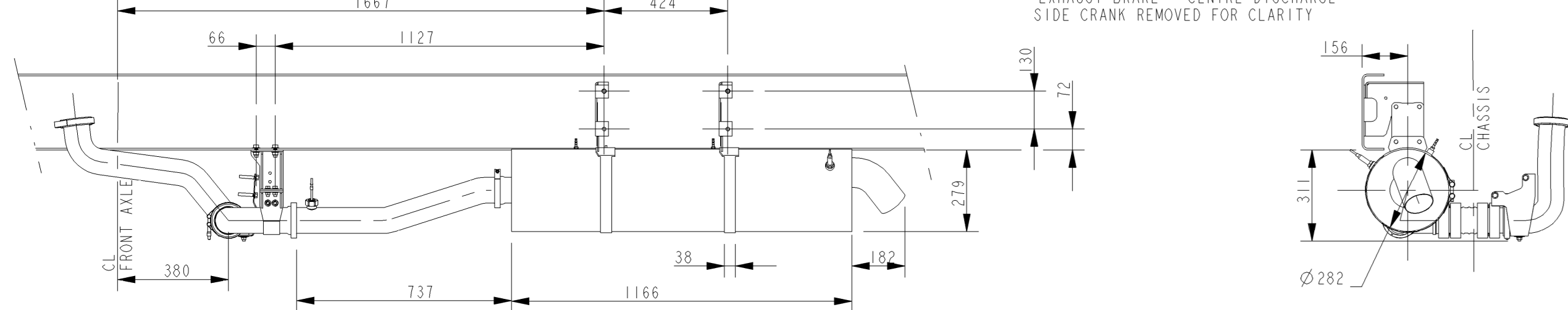
26L UREA - 4 CYL ENGINE - EXHAUST BRAKE - FORWARD LH DISCHARGE
SIDE CRANK REMOVED FOR CLARITY



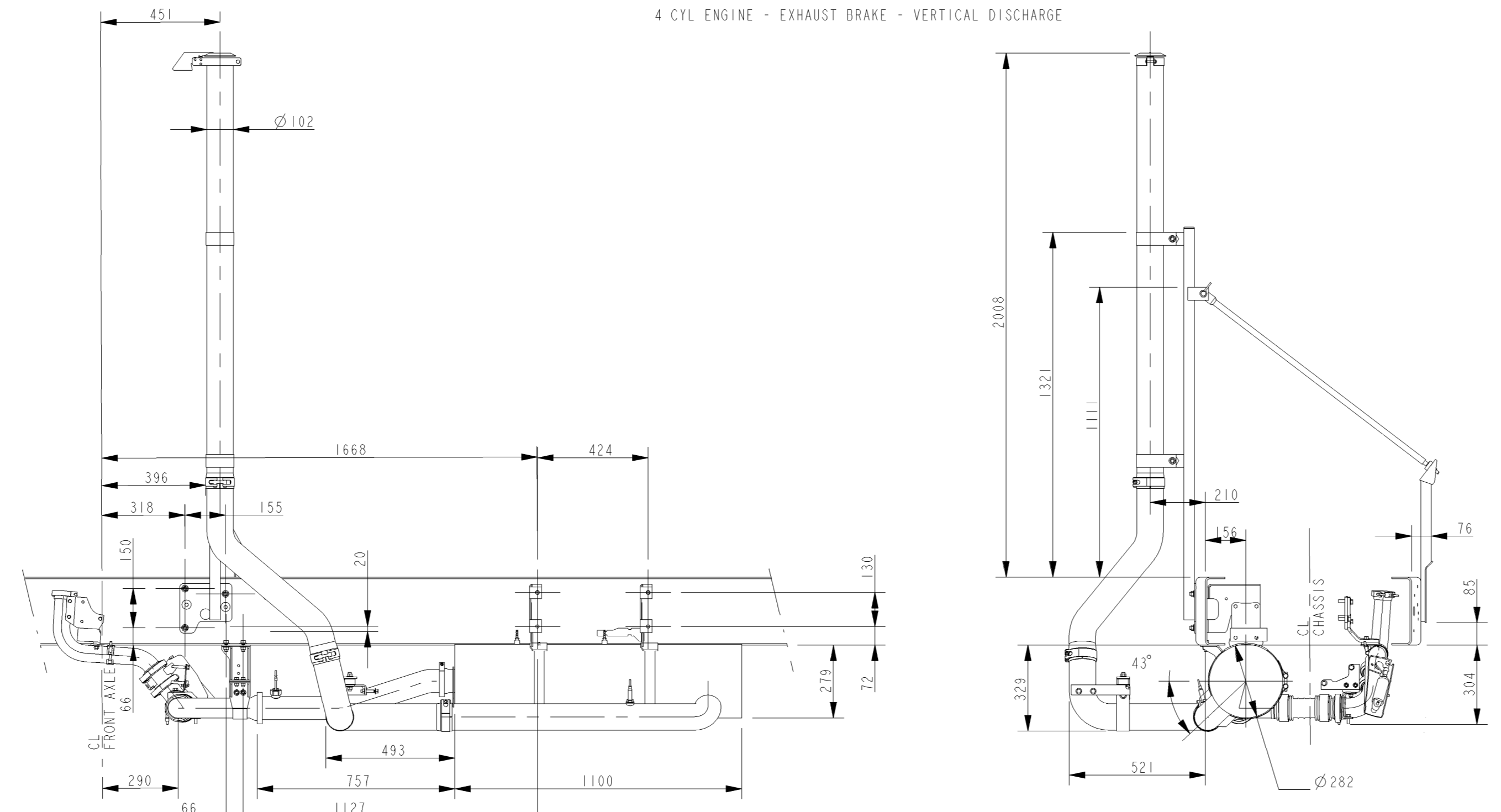
70L UREA - 4 CYL ENGINE - EXHAUST BRAKE - FORWARD LH DISCHARGE
SIDE CRANK REMOVED FOR CLARITY



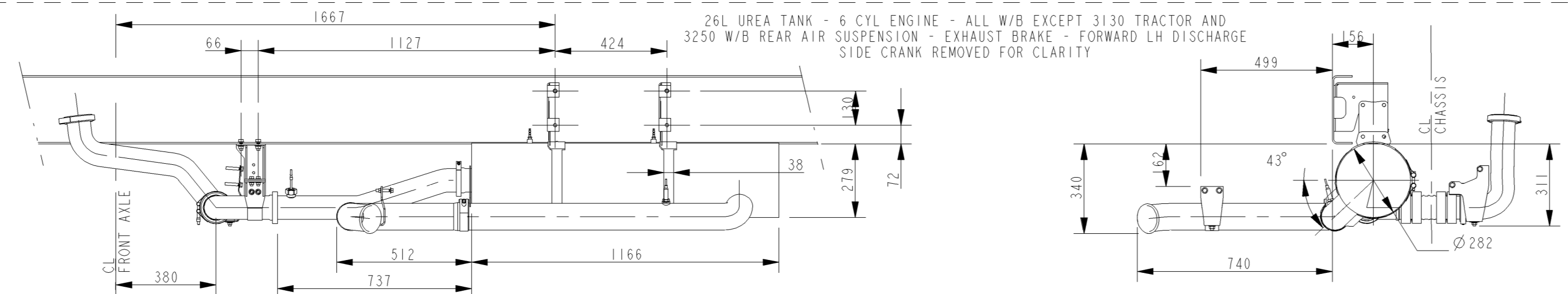
6 CYL ENGINE - ALL W/B EXCEPT 3130 TRACTOR AND 3250 W/B REAR AIR SUSPENSION
EXHAUST BRAKE - CENTRE DISCHARGE
SIDE CRANK REMOVED FOR CLARITY



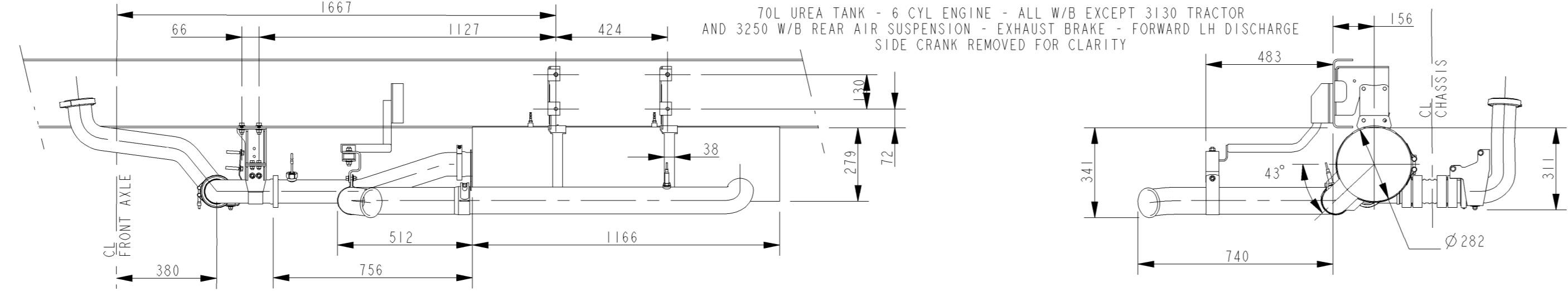
4 CYL ENGINE - EXHAUST BRAKE - VERTICAL DISCHARGE



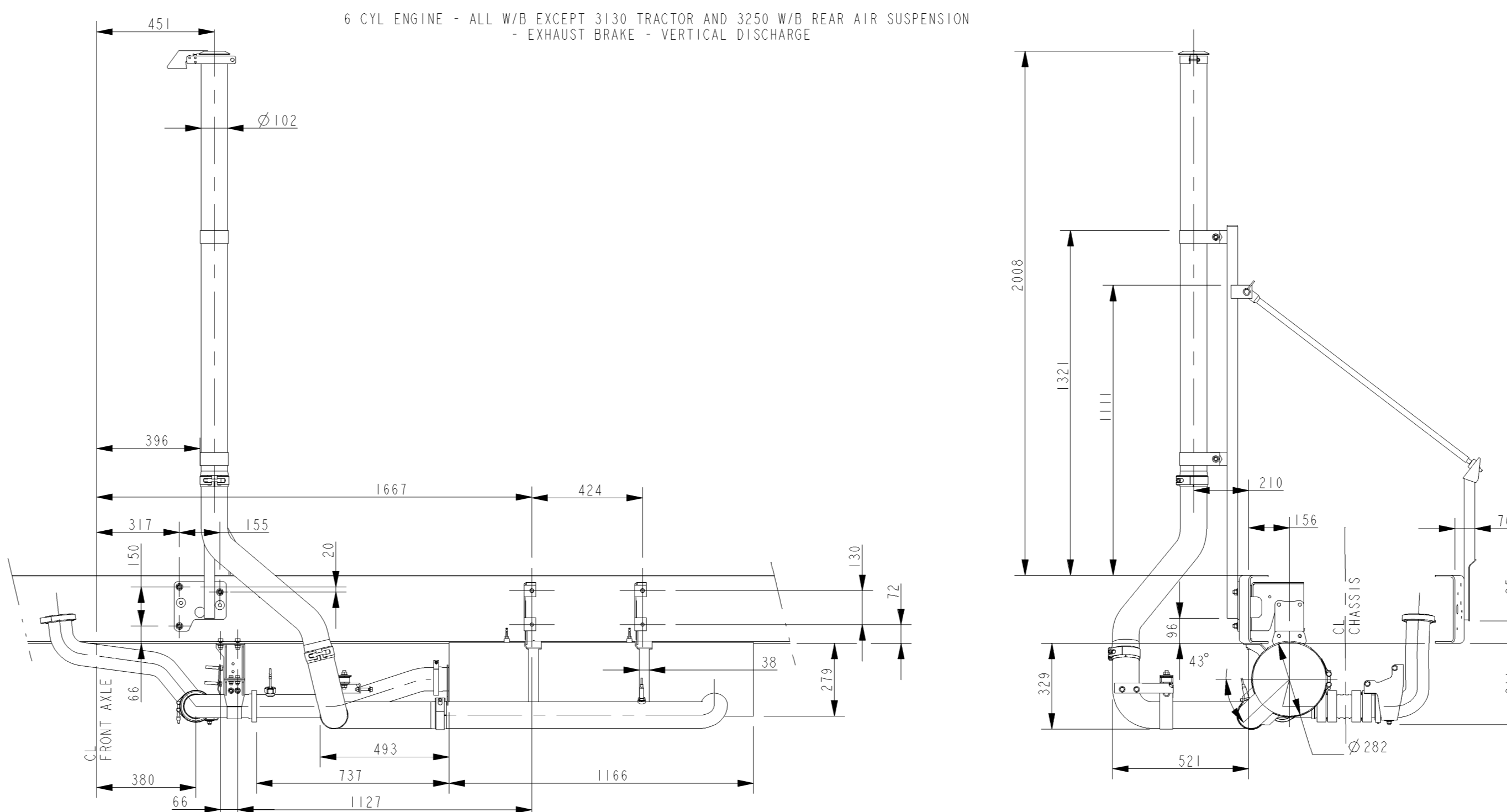
26L UREA TANK - 6 CYL ENGINE - ALL W/B EXCEPT 3130 TRACTOR AND 3250 W/B REAR AIR SUSPENSION - EXHAUST BRAKE - FORWARD LH DISCHARGE
SIDE CRANK REMOVED FOR CLARITY



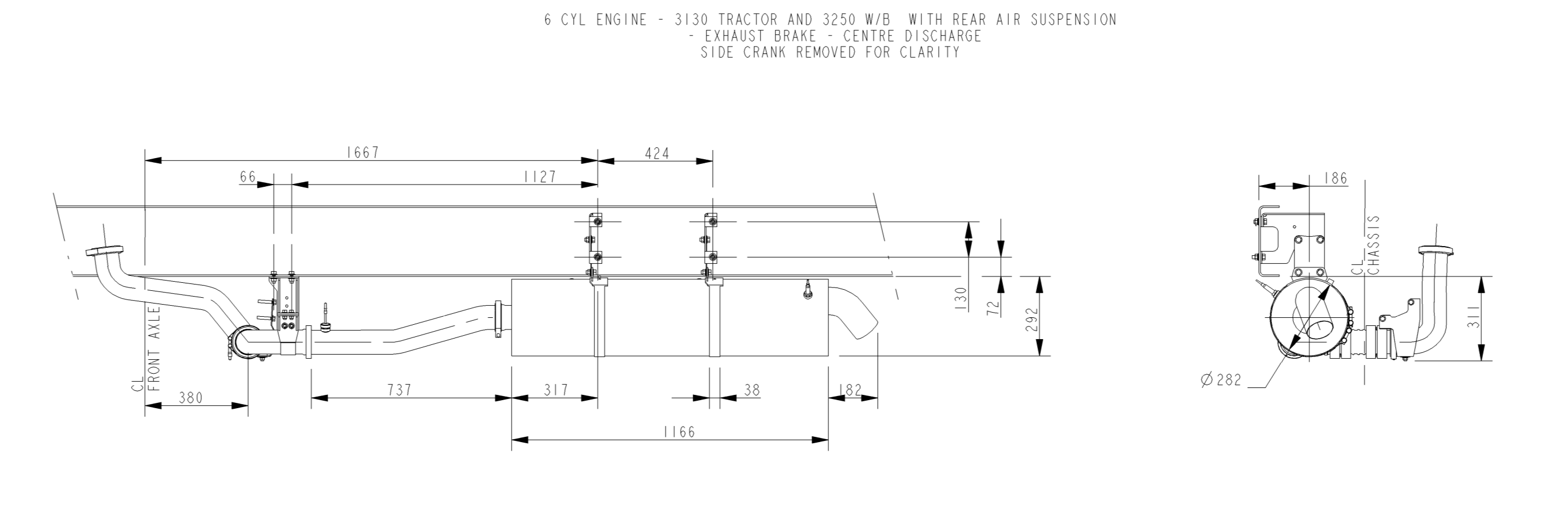
70L UREA TANK - 6 CYL ENGINE - ALL W/B EXCEPT 3130 TRACTOR AND 3250 W/B REAR AIR SUSPENSION - EXHAUST BRAKE - FORWARD LH DISCHARGE
SIDE CRANK REMOVED FOR CLARITY



6 CYL ENGINE - ALL W/B EXCEPT 3130 TRACTOR AND 3250 W/B REAR AIR SUSPENSION
EXHAUST BRAKE - VERTICAL DISCHARGE



6 CYL ENGINE - 3130 TRACTOR AND 3250 W/B WITH REAR AIR SUSPENSION
EXHAUST BRAKE - CENTRE DISCHARGE
SIDE CRANK REMOVED FOR CLARITY



EURO5 EGP SYSTEMS

NOTES:

GEEN MATEN VAN TEKENING OPMETEN.
WIJZIGINGEN ZONDER VOORAFGAANDE KENNISGEVING VOORBEHOUDEN.
VOOR UITVOERING VAN HET VOERTUIG RAADPLEGE
MEN DE ORDERBEVESTIGING.

DO NOT SCALE DRAWING.
SUBJECT TO MODIFICATION WITHOUT PRIOR NOTICE.
PLEASE SEE NOTE FOR DEFINITIVE VEHICLE LAY-OUT.

NE RIEN RELEVER DU DESSIN.
SOUS RESERVE DE MODIFICATIONS SANS AVIS PREALABLE.
VEUILLEZ CONSULTER LE BON DE COMMANDE
POUR LE EQUIPEMENT DU VEHICULE CONCERNE.

KEINE ZEICHNUNGSMASSE AUFMESSEN.
ÄNDERUNGEN OHNE VORANKÜNDIGUNG VORBEHALTEN.
DIE AUSFÜHRUNG DES BETREFFENDEN FAHRZUEGS
ENTNEHME MAN DER AUFTRAGSBESTÄTIGUNG.

EGP length dimension added to details	26/06/09	DA	BG	5710475	D
Euro5 model up-dates added as sheets 3 and 4 Sheets 1 and 2 Euro4 details only	05/05/09	DA	BG	5710400	C
ALL THE VIEWS HAVE BEEN UPDATED WITH THE NOx SENSOR.	10/03/08	MKJ	BG	5700743	B
ADDED DETAILS OF VERTICAL SILENCER FOR 4 & 6 CYL ON SHEET 2	01/10/07	KRD	AH	5700450	A
modification description	date	drawn by	auth by	mod.no.	issue

general tolerances	tolerance principle	title			
for drawing interpretation, see DAF standard.	material	DETAIL - G FA LF 55 Euro 5 12-15T			
surfaces/corners	heat/surface treatment				
authorised by	date	size	scale	sheet	model number
B Gowans		SP	1:20	3 of 4	
drawn by	date	third angle projection	This drawing is the property of DAF - Trucks N.V. Eindhoven, The Netherlands and may not be copied in whole or in part without the prior written consent of the owner.		
D Adamson	13/03/09		drawing/issue number		
source	replacement for	replaced by		NSEA324/D	
				CAD Pro/ENGINEER	