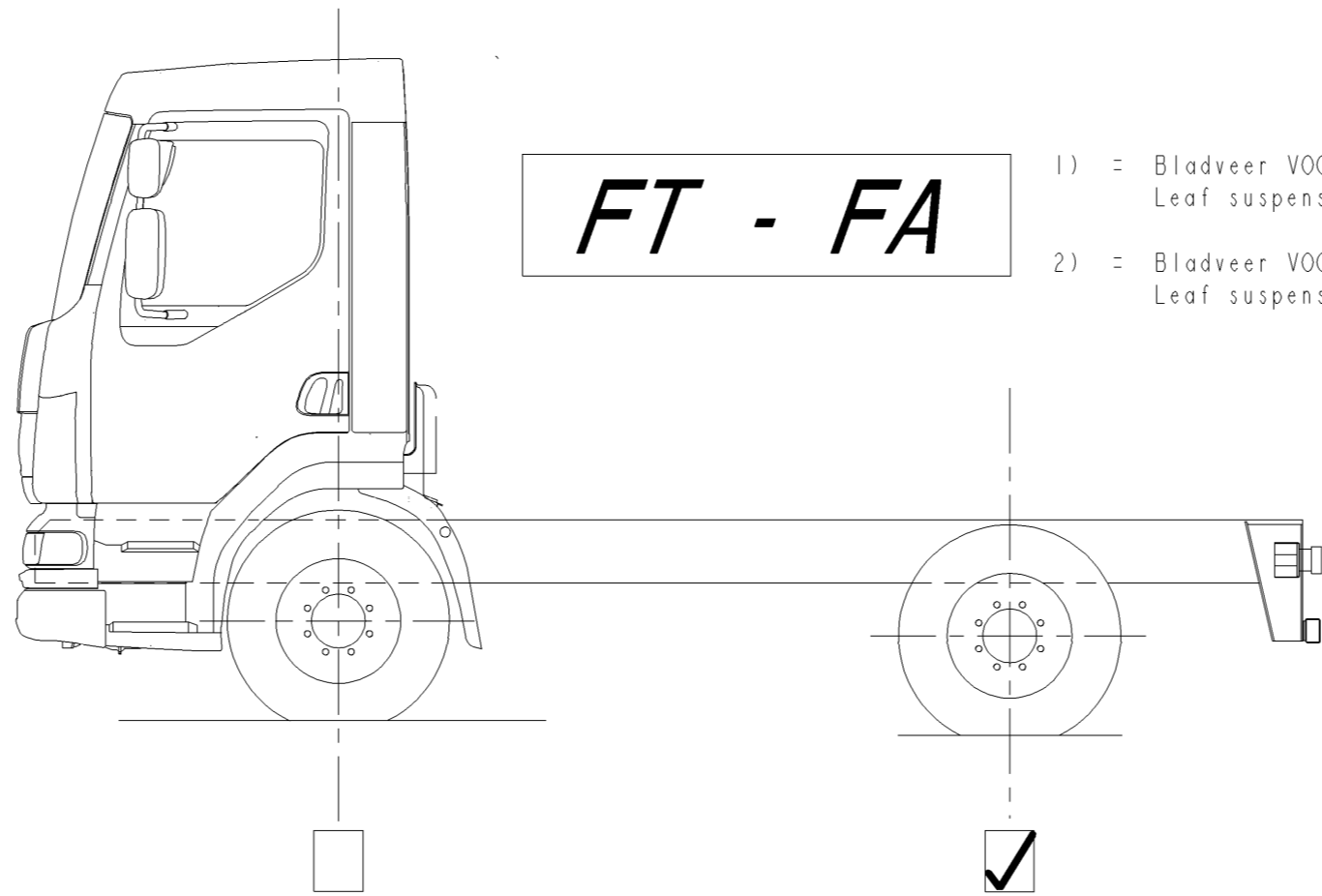


- 1) = Bladveer VOOR + ACHTER
Leaf suspension FRONT + REAR
- 2) = Bladveer VOOR + Luchtvering ACHTER
Leaf suspension FRONT + Air suspension REAR

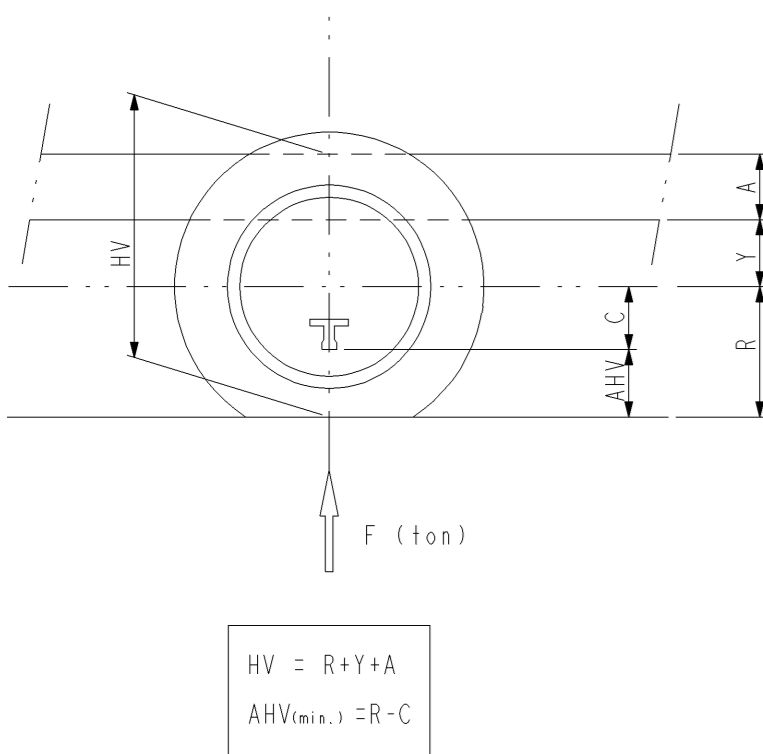


- 1) = Bladveer VOOR + ACHTER
Leaf suspension FRONT + REAR
- 2) = Bladveer VOOR + Luchtvering ACHTER
Leaf suspension FRONT + Air suspension REAR

	A	Voertuigtype Vehicle type
Langs liggerhoogte	192	LF45
Height main sidemember	260	LF55/CF65

Bladvering VOOR / Leaf Suspension FRONT			
Ophanging + Vooras Suspension + Front axle	Y (mm)	C (mm)	Voertuigtype Vehicle type
35kN leaf + F36	147+[50X(3.6-F)]	173	LF45 7.49-8.3t
44kN leaf + F36 (RAISED SUSPENSION)	239+[40.5X(3.6-F)]	173	LF45 7.49-8.3t
44kN leaf + F48	149+[40.5X(4.5-F)]	180	LF45 10-12t
44kN leaf + F48 (RAISED SUSPENSION)	169+[40.5X(4.5-F)]	180	LF45 10-12t
44kN leaf + F60 (TRACTOR)	132+[40.5X(4.5-F)]	206	LF55 FT
59kN leaf + F60	132+[33.3X(6.0-F)]	206	LF55 12-15t
59kN leaf + F60 (ROAD SWEEPER)	202+[21.74X(6.0-F)]	206	LF55 R'sweeper
74kN leaf + 152N	150+[21.74X(7.5-F)]	209	LF55 18t/CF65
74kN leaf + 156N	256+[21.74X(7.5-F)]	129	LF55 18t/CF65

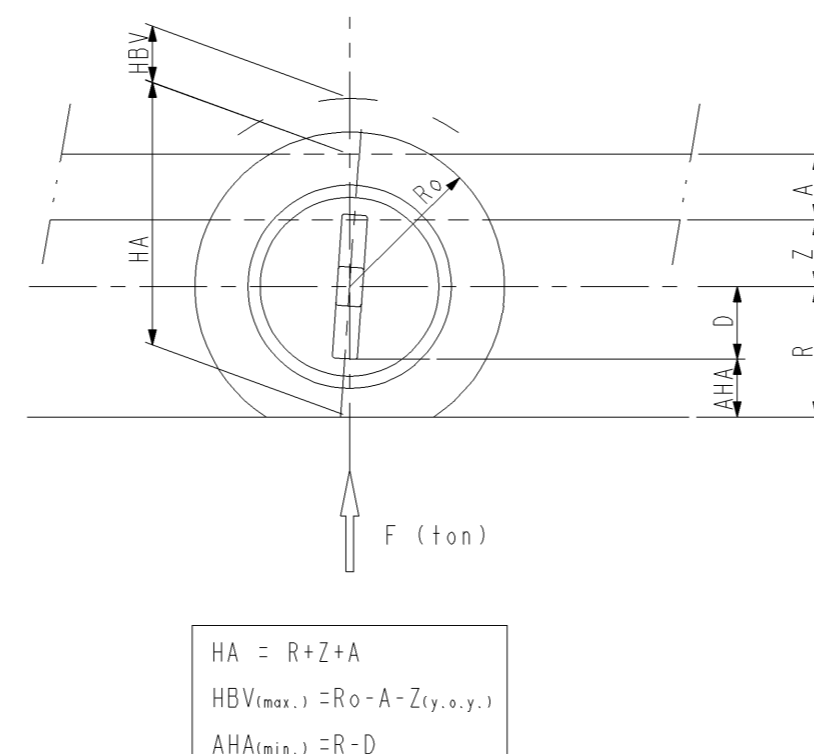
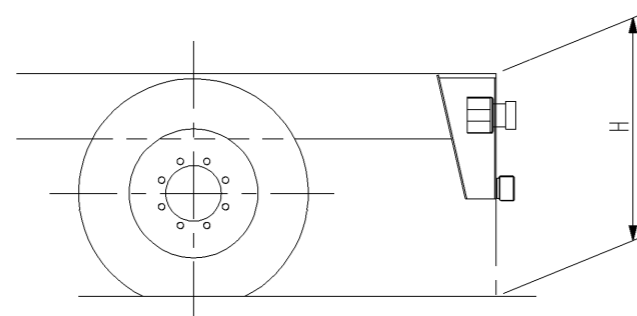
	A	Voertuigtype Vehicle type
Langs liggerhoogte	192	LF45
Height main sidemember	260	LF55/CF65



$$HV = R+Y+A$$

$$AHV_{(min.)} = R-C$$

$$H = HV + \left[(HA - HV) \times \frac{WB + AE}{WB} \right]$$



$$HA = R+Z+A$$

$$HBV_{(max.)} = R-A-Z_{(y.o.y.)}$$

$$AHA_{(min.)} = R-D$$

GEEN MATEN VAN TEKENING OPMETEN.
WIJZIGINGEN ZONDER VOORAFGAANDE KENNISGEVING VOORBEHOUDEN.
VOOR UITVOERING VAN HET VOERTUIG RAADPLEGE MEN DE ORDERBEVESTIGING.

DO NOT SCALE DRAWING.
SUBJECT TO MODIFICATION WITHOUT PRIOR NOTICE.
PLEASE SEE NOTE FOR DEFINITE VEHICLE EXECUTION.

NE RIEN RELEVER DU DESSIN.
SOUS RESERVE DE MODIFICATIONS SANS AVIS PREALABLE.
VEUILLEZ CONSULTER LE BON DE COMMANDE POUR L'EQUIPEMENT DU VEHICULE CONCERNE.

KEINE ZEICHNUNGSMASSE AUFMESSEN.
ÄNDERUNGEN OHNE VORANKUENDIGUNG VORBEHALTEN.
DIE AUSFÜHRUNG DES BETREFFENDEN FARBZEUGS ENTNEHME MAN DER AUFTRAGSBEAETIGUNG.

Voor belaste(R) - en onbelaste(Ro) bandenstralen en SV-SB-TB-BV-BB maten zie speciale tekening: NSEA383.
For rolling radius laden(R) and unladen(Ro) and SV-SB-TB-BV-BB dimensions see special drawing: NSEA383.
Pour les rayons des pneumatiques en charge(R) et a vide(Ro) et SV-SB-TB-BV-BB dimensions voir plan no: NSEA383.
Für belastete(R) and unbelastete(Ro) Reifenhalmmesser und SV-SB-TB-BV-BB Masse siehe Zeichnung: NSEA383.

Bladvering ACHTER / Leaf Suspension REAR						
Ophanging + Achteras Suspension + Rear axle	Achterasbelasting F Rear axle load (tonne)	Z (mm)	D (mm)	Z(y.o.y.) (mm)	Vooras Front axle	Voertuigtype Vehicle type
49kN leaf + 5.10 (Normal duty - 1 leaf)	F < 5.0 tonne	178+[29.41X(5.0-F)]	190	92	F36	LF45 7.49-8.3t (Tipper 7.49t)
49kN leaf + 5.14 (Normal duty - 1 leaf)			197	92		
49kN leaf + 8.22 (Normal duty - 1 leaf)			219	92		
51.5kN leaf + 5.10 (Heavy duty - 2 leaf)		204+[22.73X(5.0-F)]	190	102		
51.5kN leaf + 5.14 (Heavy duty - 2 leaf)		197	102			
51.5kN leaf + 8.22 (Heavy duty - 2 leaf)		219	102			
49 kN leaf + 5.10 (Normal duty - 1 leaf-raised)		234+[29.41X(5.0-F)]	190	147		
49kN leaf + 5.14 (Tipper) (ND haulage raised + Tipper - 1 leaf)		197	147			
49 kN leaf + 8.22 (Normal duty - leaf - raised)		219	147			
49kN asymmetric + 5.10 (2 leaf)		190	142			
49kN asymmetric + 5.14 (2 leaf)		197	142			
51.5kN leaf + 5.10 (Heavy duty - 2 leaf - raised)		190	147			
51.5kN leaf + 5.14 (Heavy duty - 2 leaf - raised)		197	147			
51.5kN leaf + 8.22 (Heavy duty - 2 leaf - raised)		219	147			
83kN leaf + 8.22 (2 leaf + helper)		F < 3.0 tonne	247+[29.41X(3.0-F)]	219		
	F > 3.0 tonne	247-[11.11X(F-3.0)]				
	F < 3.0 tonne	302+[29.41X(3.0-F)]				
83kN leaf + 8.22 (2 leaf + helper - raised)	F > 3.0 tonne	302-[11.11X(F-3.0)]	219	167	F60	LF55 12-15t
	F < 3.0 tonne	272+[21.74X(4.33-F)]				
	F > 4.33 tonne	272-[10.37X(F-4.33)]				
104kN leaf + 10.22 (2 leaf + helper)	F < 4.56 tonne	264+[9.77X(4.56-F)]	248	134	152N 156N	LF55 16-18t
104kN leaf + 10.26 (2 leaf + helper)	F > 4.56 tonne	264-[4.13X(F-4.56)]				
104kN asym. R/Sweeper + 10.22 (2 leaf + helper)	F < 5.0 tonne	240+[8.33X(5.0-F)]				
104kN asym. R/Sweeper + 10.26 (2 leaf + helper)	F > 5.0 tonne	240-[5.38X(F-5.0)]				
104kN High CofG leaf + 10.22 (2 leaf + helper)	F < 4.3 tonne	273+[21.74X(4.3-F)]				
104kN High CofG leaf + 10.26 (2 leaf + helper)	F > 4.3 tonne	273-[10.2X(F-4.3)]				
113kN leaf + 11.32 (2 leaf + helper)	F < 4.6 tonne	257+[18.33X(F-4.6)]	248	115	152N 156N	LF55 16-18t
113kN asymmetric + 11.32 (2 leaf + helper)	F > 4.6 tonne	257-[8.26X(F-4.6)]				
113kN short asymmetric + 11.32 (3 leaf) (refuse collector)	F < 11.5 tonne	203+[7.4X(11.5-F)]				

Luchtvering ACHTER / Air Suspension REAR							
Ophanging + Achteras Suspension + Rear axle	Rijstand Driving position	Z(mm) Low position	Lage stand Z(mm) Fmax / F<20kN	Hoge stand Z(mm) High position	D (mm)	Z(y.o.y.) (mm)	Voertuigtype Vehicle type
49kN Air + 5.10	210	120/145		295	190	94	LF45 7.49-8.3t
49kN Air + 5.14	210	120/145		295	197	94	
83kN Air + 8.22	210	120/145		295	219	114	
104kN Air + 10.22	230	145/170		340	248	130	LF55 12-15t
104kN Air + 10.26	230	145/170		340	248	130	
113kN Air + 11.32/13.39	212	122/142		345	248	122	LF55 16-18t

modification description	date	drawn by	auth by	mod.no.	issue
Updated Air Suspension Height Table	16/09/10	SK	BJG	5711624	F
Detail view and formula for frame height is added, title updated	26/11/07	KRD	BJG	5700572	E
Rear leaf suspension chart modified	14/03/07	KRD	BJG	5101826	D
Front leaf suspension chart modified	20/10/06	DWS	KJW	5101332	C
Low volume options added	04/07/06	STP	KJW	5100986	B
4 leaf suspension options added to chart.	11/04/06	STP	KJW	5100750	A

general tolerances		tolerance principle	title			
for drawing interpretation, see DAF standard:		material	WAGENHOOGTES LF/CF Euro 4/5 VEHICLE HEIGHTS LF/CF Euro 4/5 FT - FA			
surfaces/corners		heat/surface treatment	size	scale	sheet	model number
			SP	1:30	1 of 1	
authorised by	date	paint specification	third angle projection			
K.WILLIAMS	240206					
drawn by	date	prod.grp.spec.	spec. indicat.	drawing/issue number		
D.SMETHURST	240206			NSEA382/F		
source	replacement for	replaced by		CAD Pro/ENGINEER		