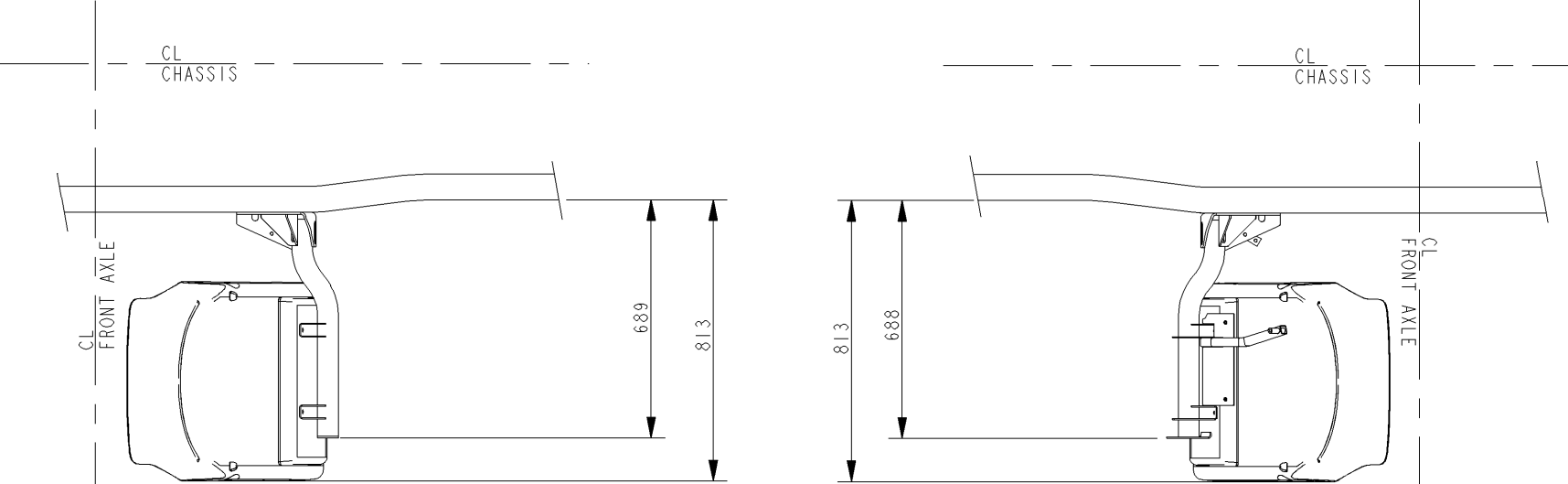
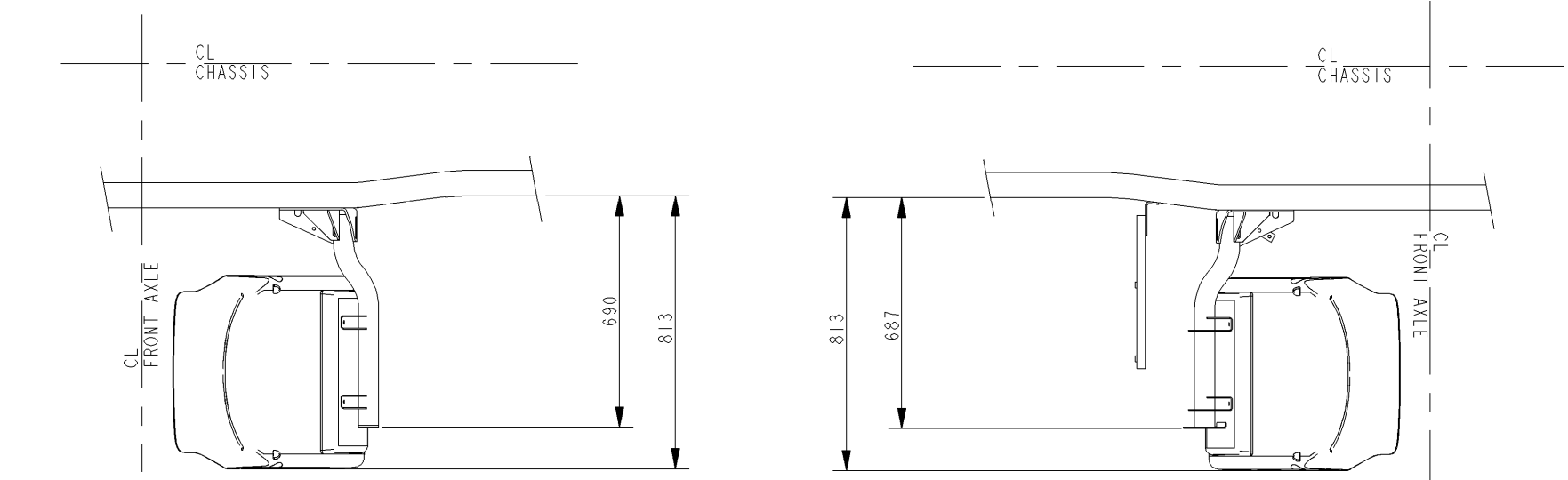


L.H.D. VEHICLE
HIGH LEVEL AIR INTAKE - DAY CAB ONLY

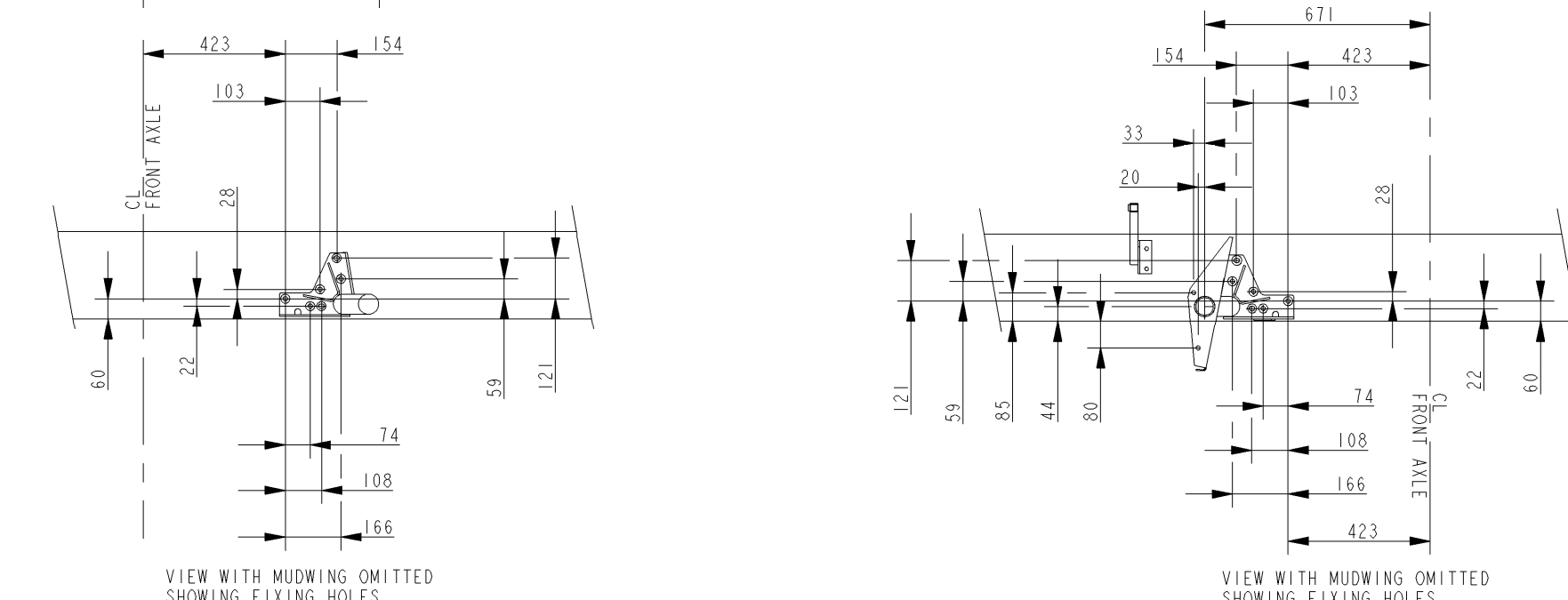
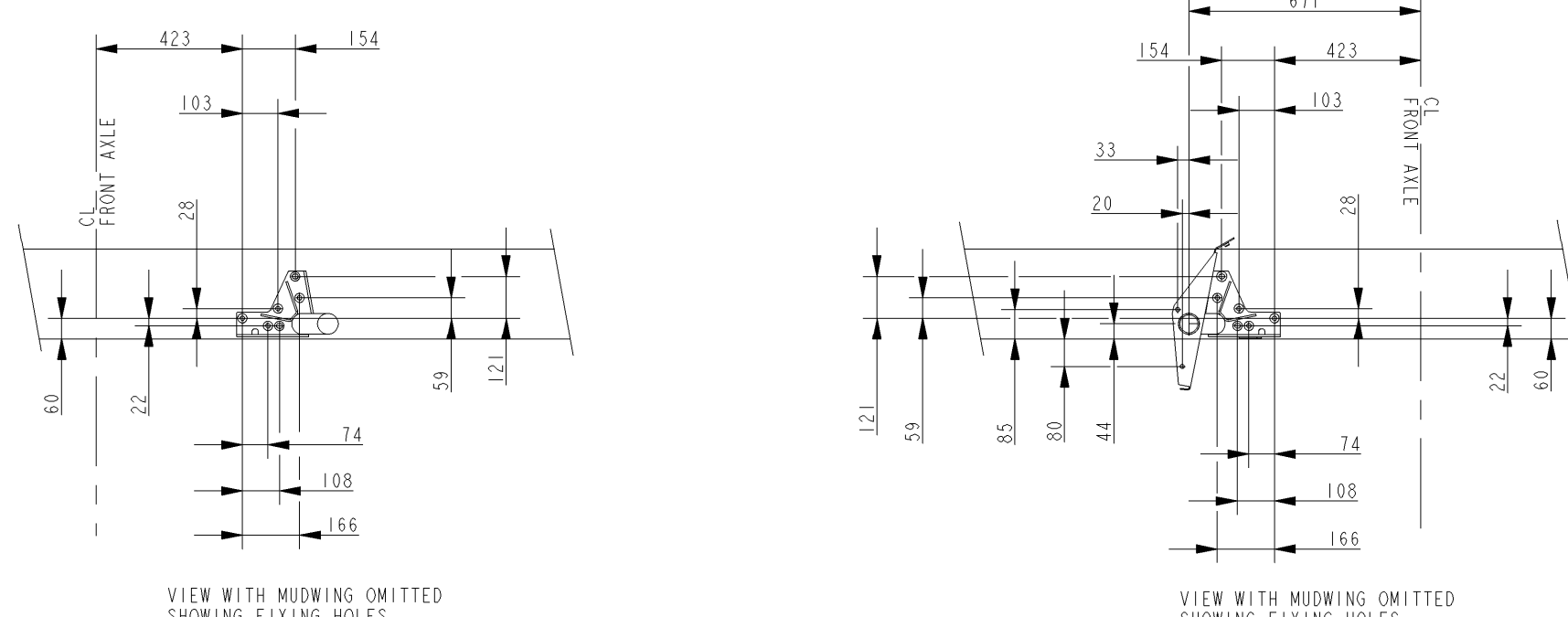
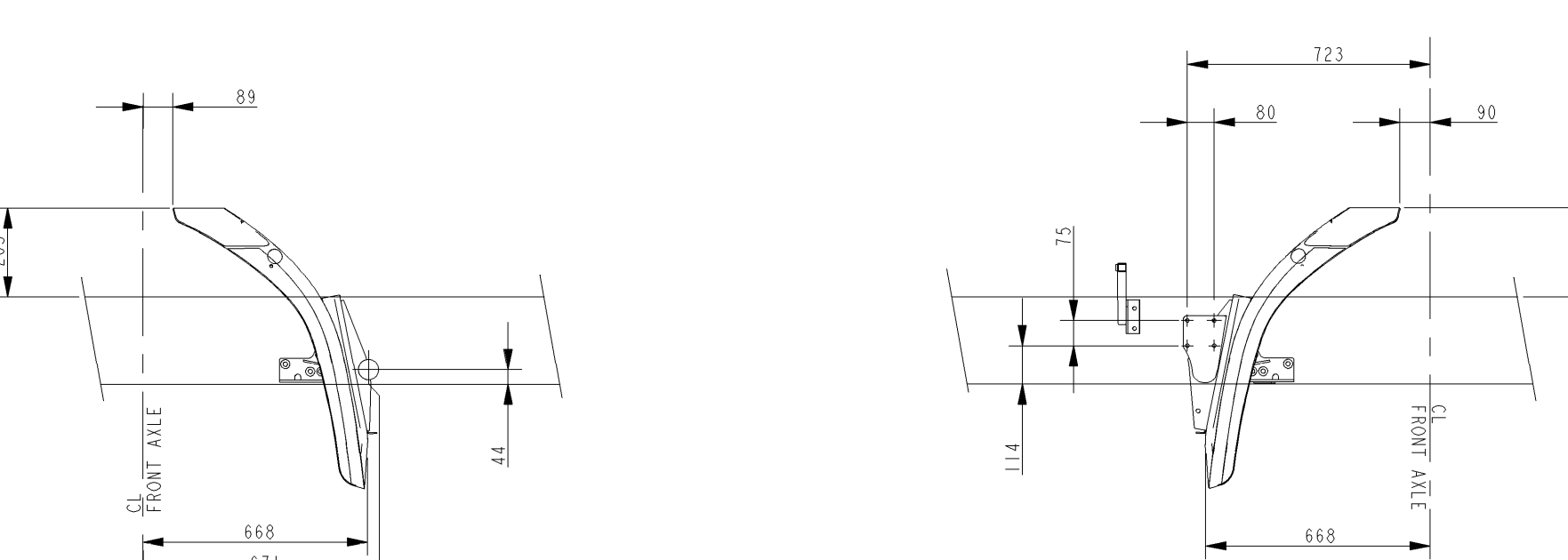
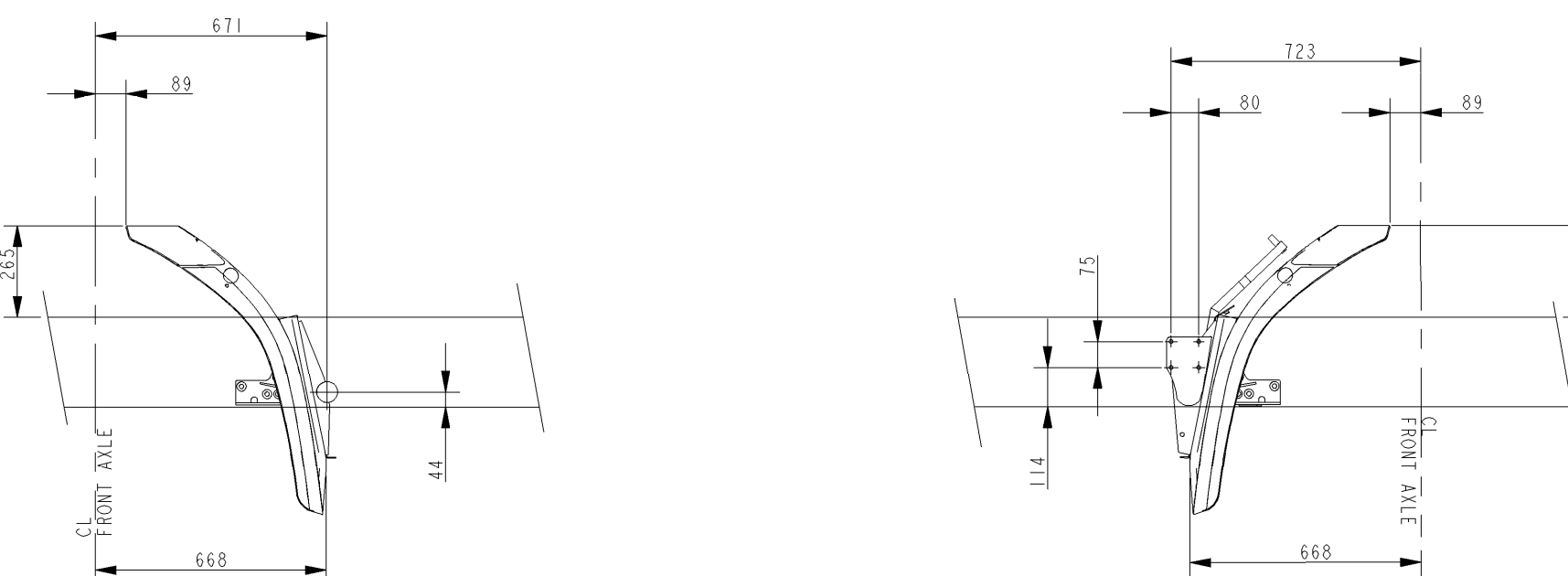


L.H.D. VEHICLE
HIGH LEVEL AIR INTAKE - SLEEPER CAB ONLY

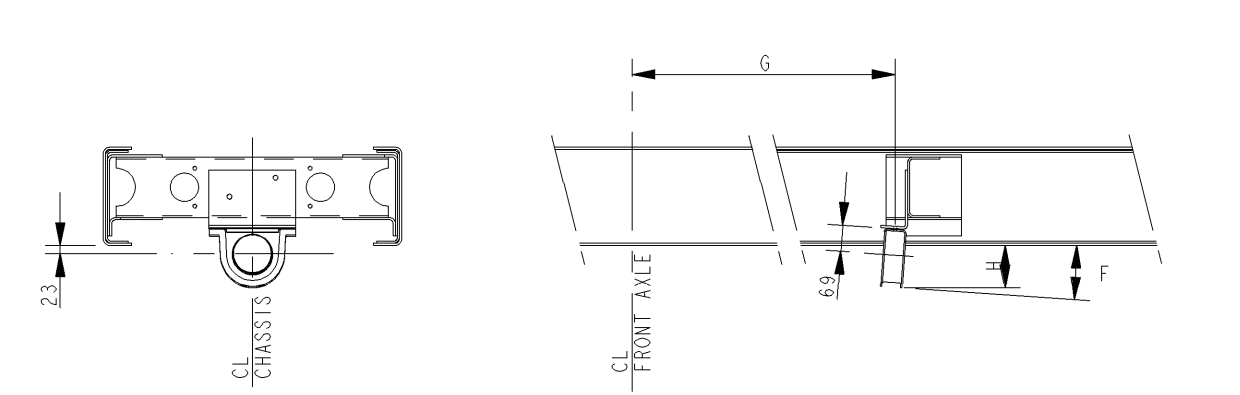


DETAIL 'E' PROP SHAFT CENTRE BEARING POSITIONS

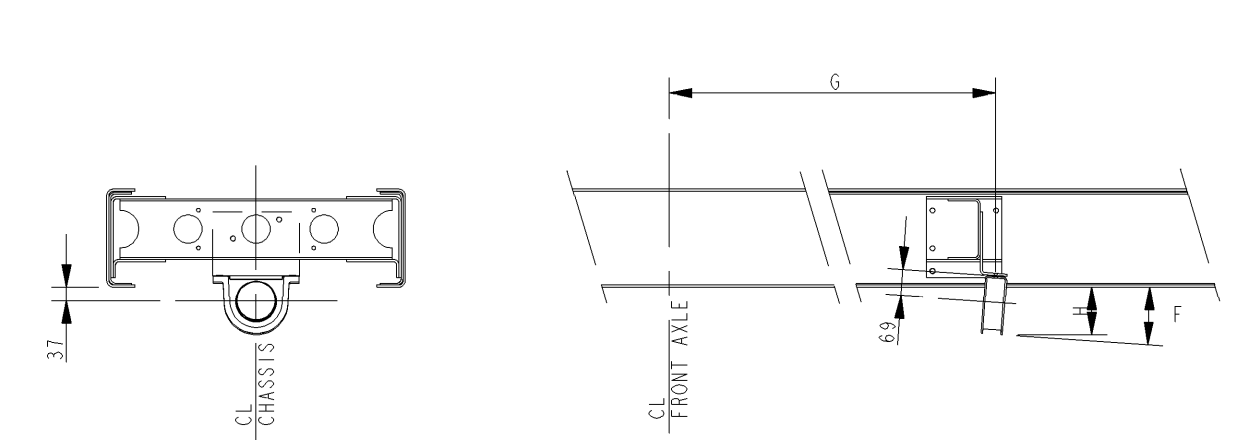
WB	BEARING POSITION	BRACKET TYPE	ANGLE 'F'	DIM 'G'	DIM 'H'
3450	-	-	-	-	-
3750	1st BRG	2	4°	1987	128
4150	1st BRG	2	4°	1987	128
4450	1st BRG	3	4°	2595	178
4750	1st BRG	3	4°	2595	178
5300	1st BRG	2	3°	1987	103
	2nd BRG	3	5°	3159	183
5850	1st BRG	1	2°	2597	111
	2nd BRG	3	3°	3709	182
6250	1st BRG	1	2°	2597	104
	2nd BRG	3	3°	4109	190



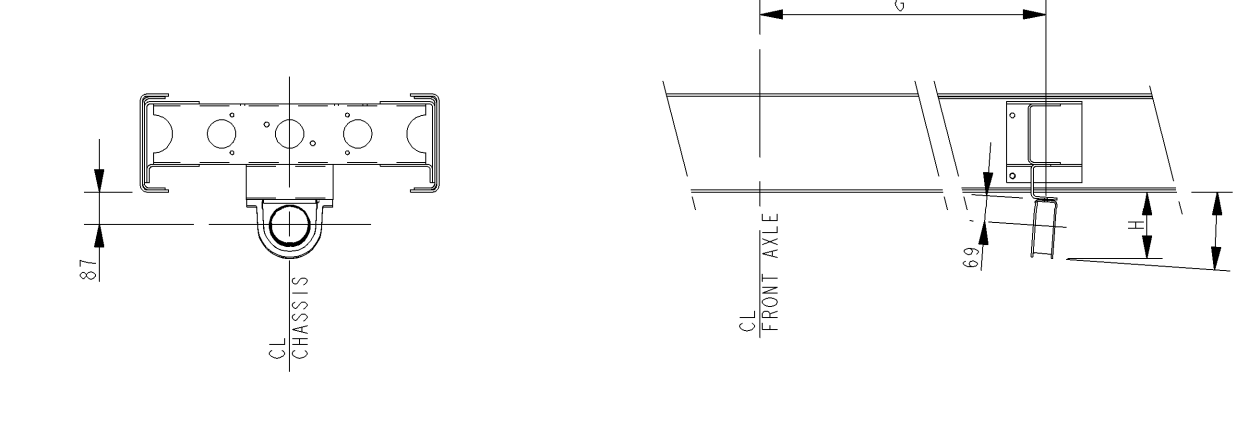
BRACKET TYPE 1



BRACKET TYPE 2



BRACKET TYPE 3



NOTES:

DETAIL E THIS SHEET
FOR HTM PUMP & BRACKET POSITION SEE DETAIL 'F' SHEET 1

GEEN MATEN VAN TEKENING OPMETEN.
WIJZIGINGEN ZONDER VOORAFGAANDE KENNISGEVING VOORBEHOUDEN.
VOOR UITVOERING VAN HET VOERTUIG RAADPLEGE
MEN DE ORDERBEVESTIGING.
VOOR AFMETINGEN VAN DE LANGSLIGGERS ZIE DETAIL:C.

DO NOT SCALE DRAWING.
SUBJECT TO MODIFICATION WITHOUT PRIOR NOTICE.
PLEASE SEE NOTE FOR DEFINITIVE VEHICLE LAY-OUT.
FOR THE SECTIONAL DIMENSIONS OF THE MAIN GIRDERS, SEE DETAIL:C.

NE RIEN RELEVER DU DESSIN.
SOUS RESERVE DE MODIFICATIONS SANS AVIS PREALABLE.
VEUILLEZ CONSULTER LE BON DE COMMANDE
POUR LE EQUIPEMENT DU VEHICULE CONCERNE
EN CE QUI CONCERNE LA SECTION DES LONGERONS VOIR DETAIL:C.

KEINE ZEICHNUNGSMASSE AUFMESSEN.
ÄNDERUNGEN OHNE VORANKÜNDIGUNG VORBEHALTEN.
DIE AUSFÜHRUNG DES BETREFFENDEN FAHRZEUGS
ENTNEHME MAN DER AUFTRAGSBESTÄTIGUNG.
FÜR DIE SCHNITTMASSE DER LANGSTRAGER SIEHE DETAIL:C.

In Title block Euro 4 is Updated to Euro 4/5		10/03/08	MKJ	BG	5700743	B
Added dimension '668' from centre line of front axle to the rear end of mud guard.		04/08/2006	MKJ	KJW	5101062	A
modification description		date	drawn by	auth by	mod.no.	issue
general tolerances	tolerance principle	title				
for drawing interpretation, see DAF standard.	material	DETAILS - E & F FA LF 55 Euro 4/5 18T				
surfaces/corners	heat/surface treatment					
authorised by	date	paint specification	size	scale	sheet	model number
KJ WILLIAMS			SP	1:20	2 of 2	
drawn by	date	prod.gp.spec.	spec. radial.	third angle projection		
MK JOSHI	21/07/06					
source	replacement for	replaced by		drawing/issue number		
				NSEA333/B		
				CAD Pro/ENGINEER		