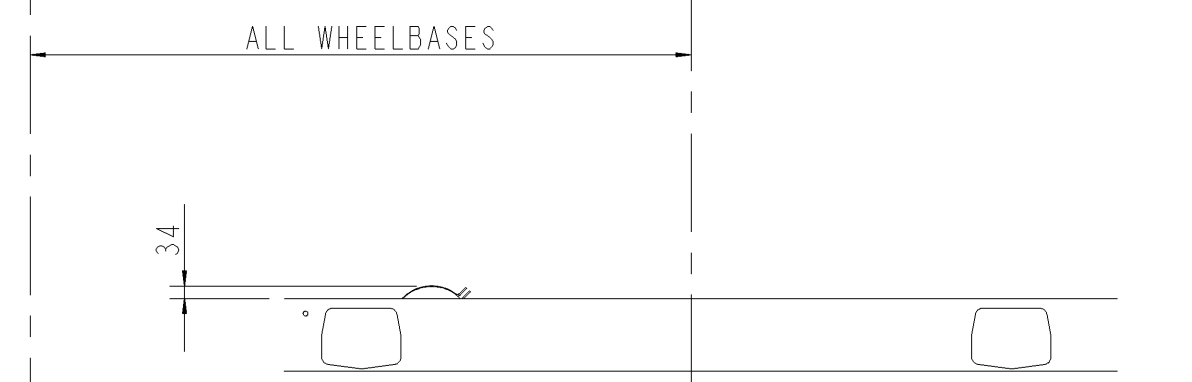
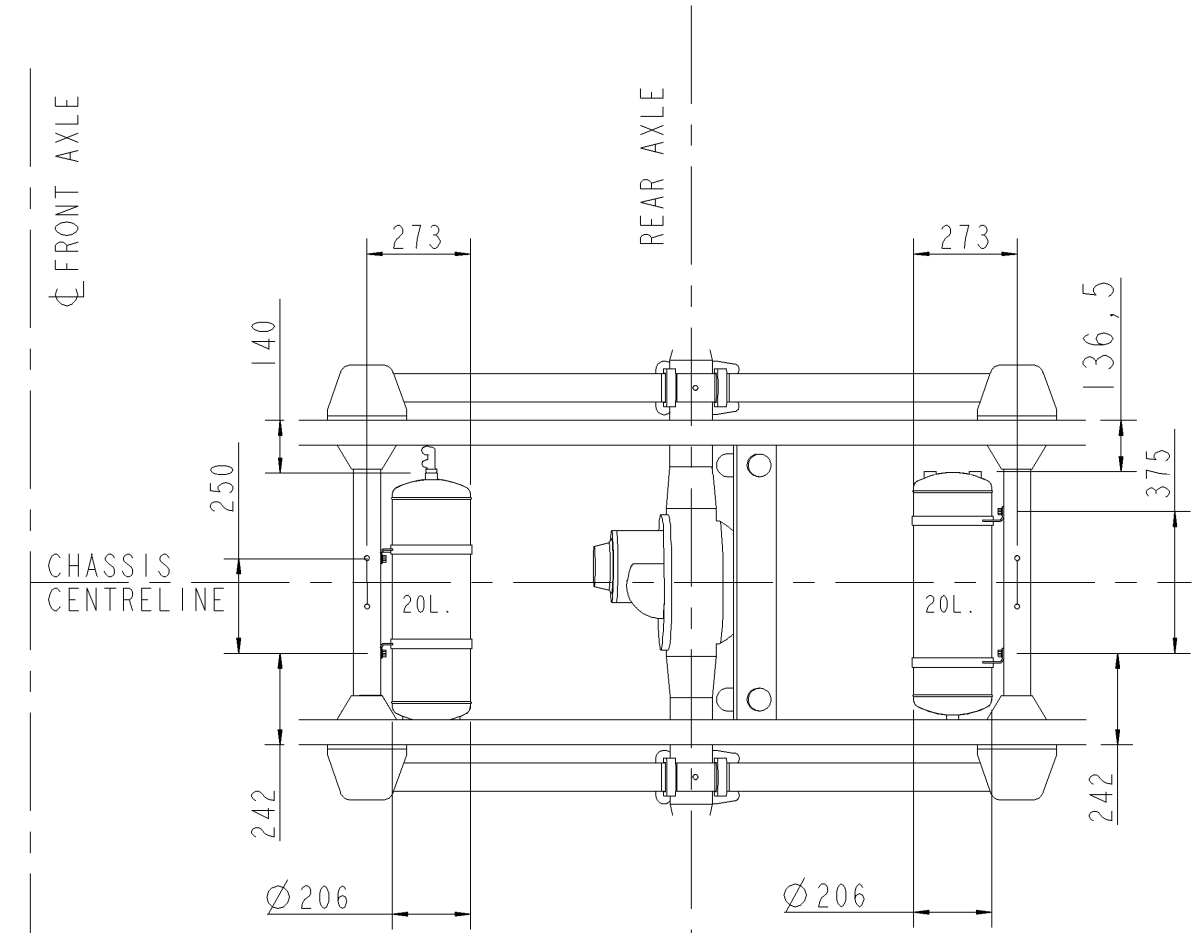
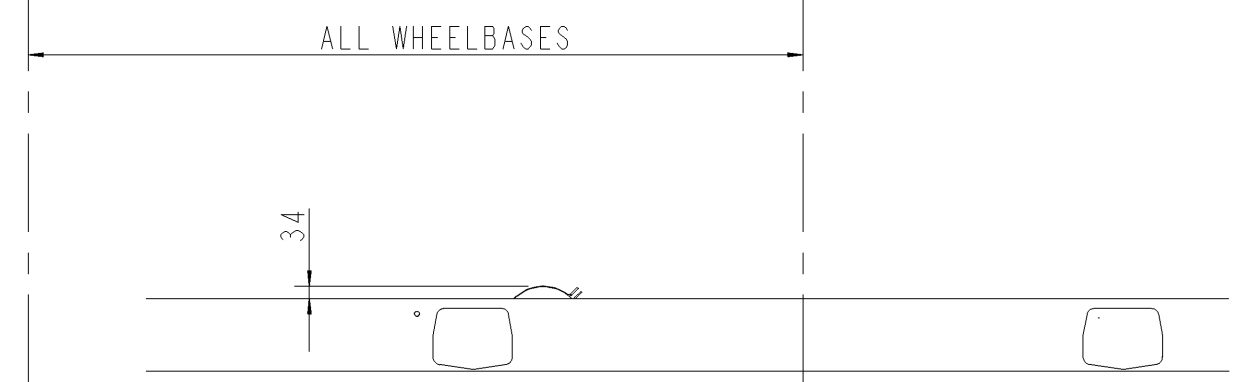
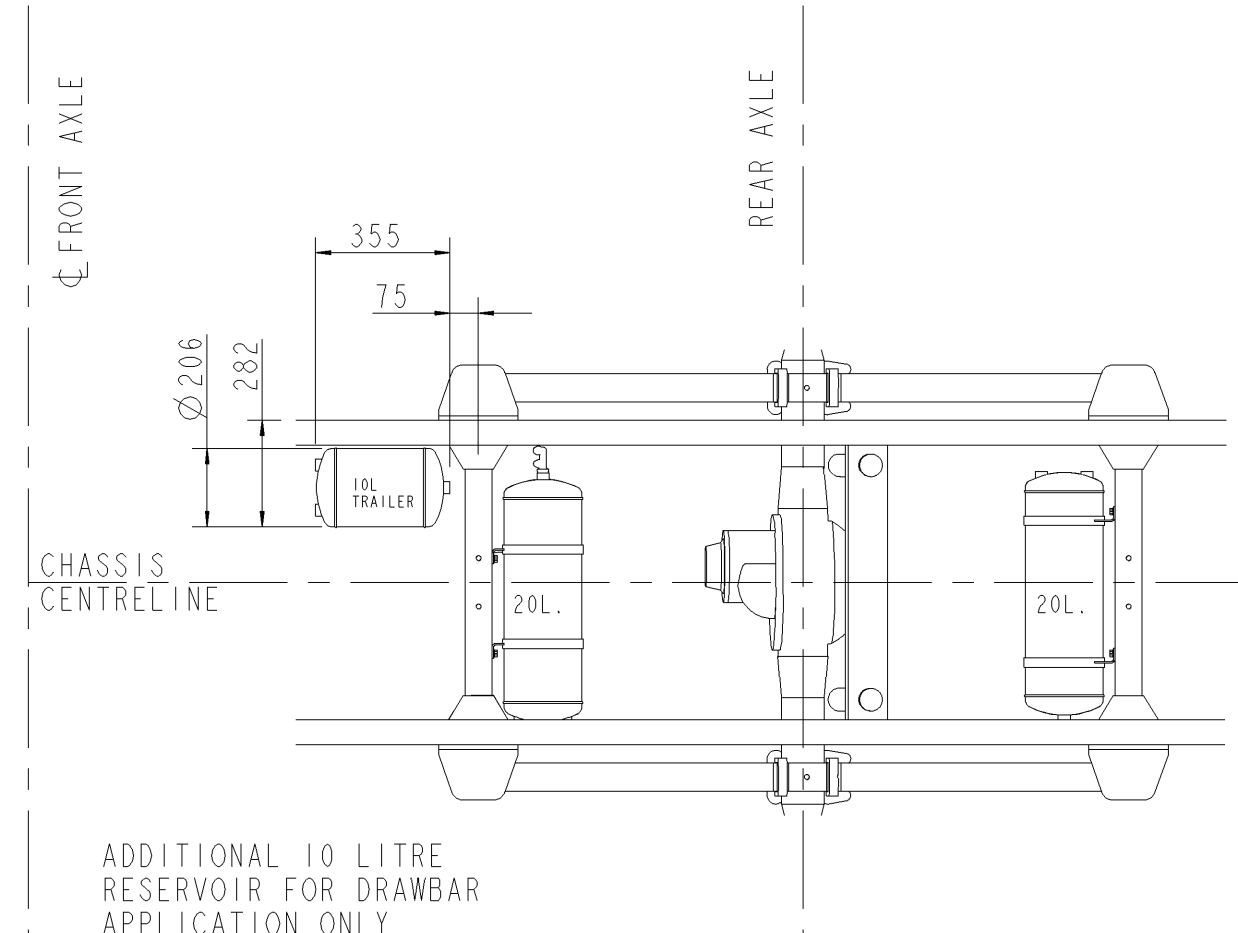


DETAIL 'J' AIR RESERVOIR
 FOR STEEL AND AIR SUSPENSIONS
 WHEELBASES 3.00M, 3.15M, 3.55M,
 3.90M, 4.30M, 4.65M, 5.00M & 5.40M.



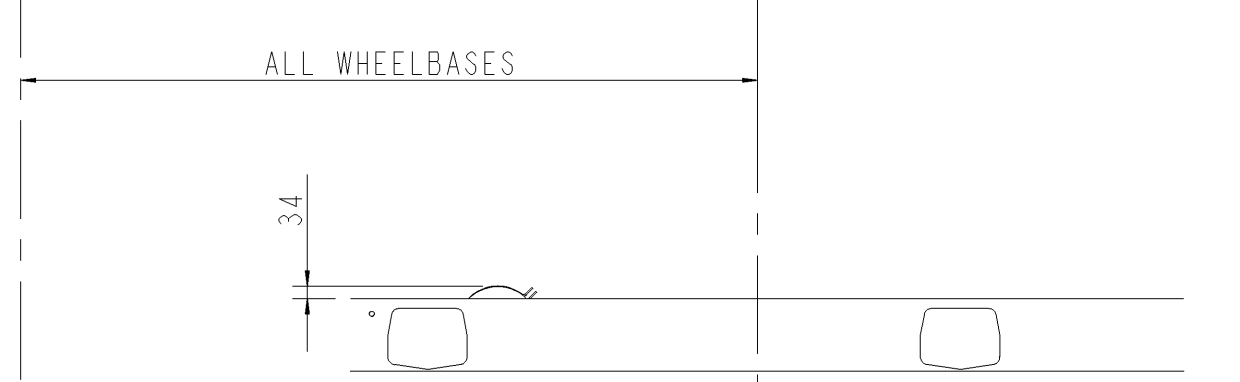
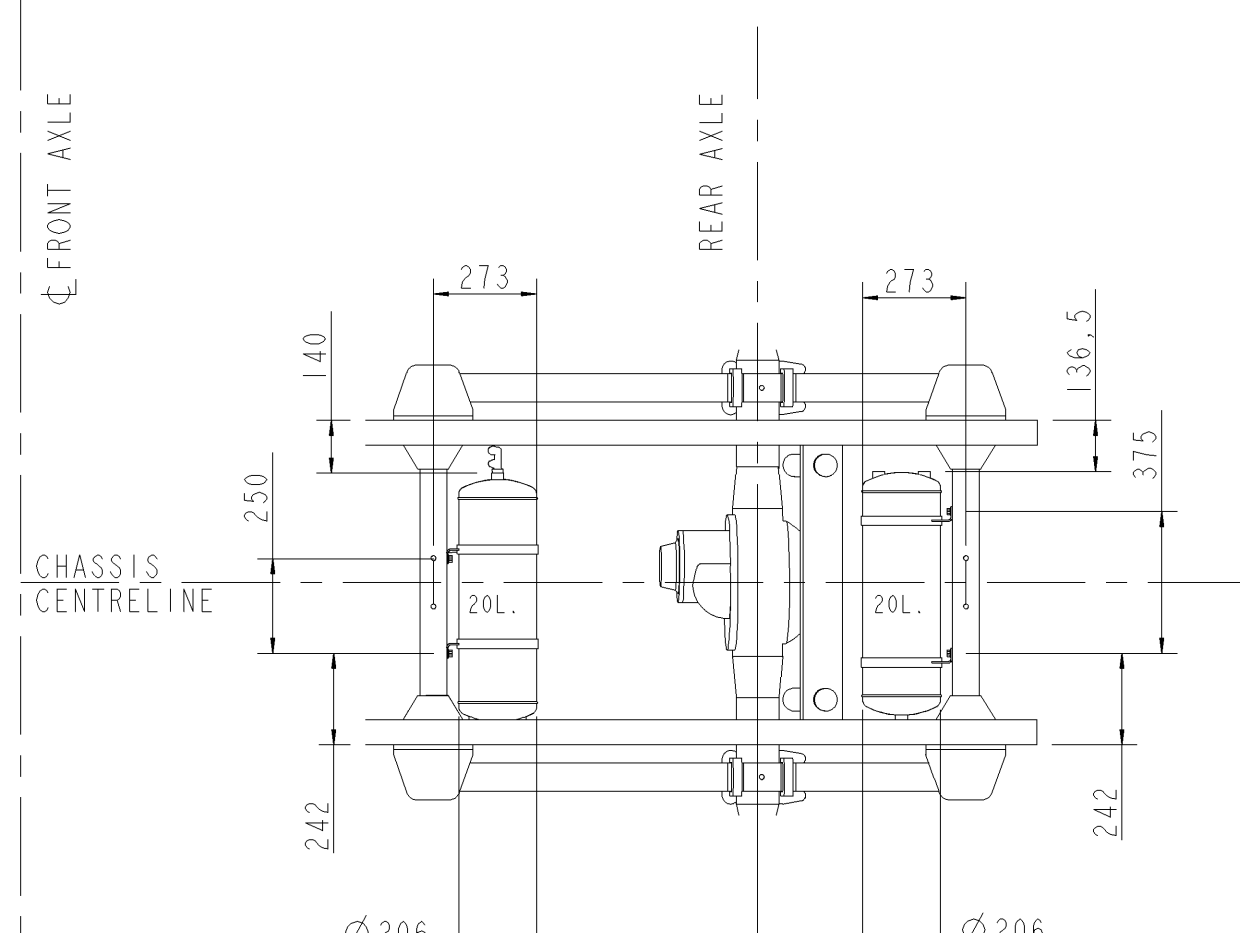
NOTE: FRONT RESERVOIR POSITION
 RAISED UP 34MM ABOVE FRAME ON
 3.00M AND 3.15M WHEELBASES ONLY

AIR RESERVOIR POSITIONS
 ALL PARABOLIC STEEL SUSPENSION
 7.5 & 10-12 TONNE HAULAGE MODELS



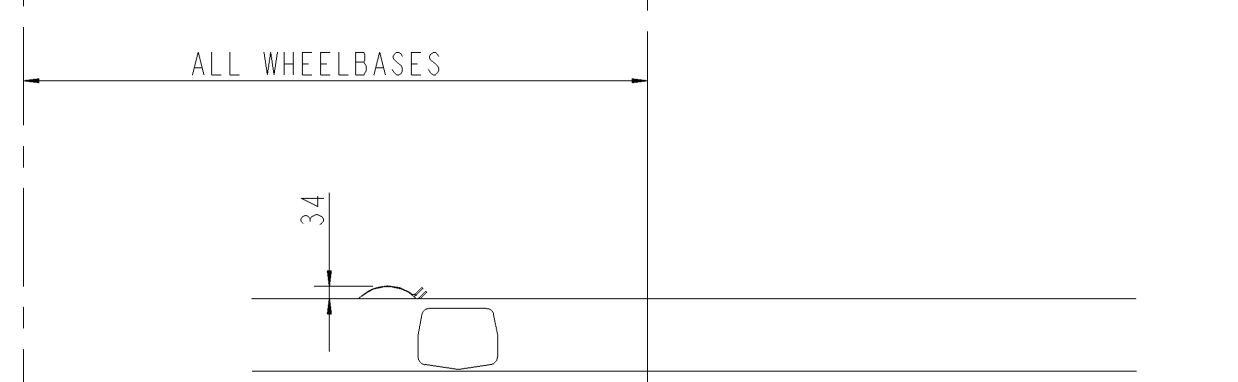
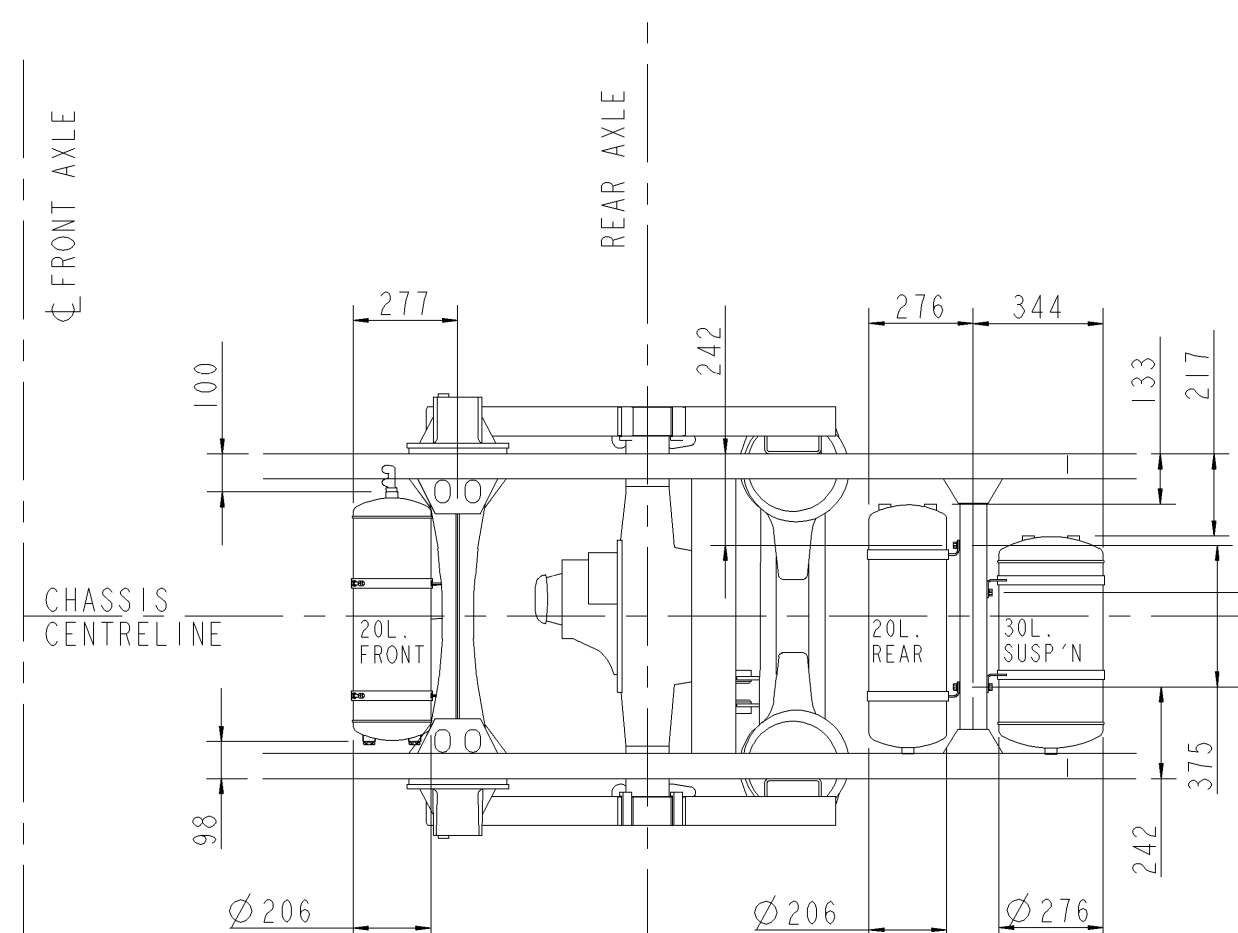
NOTE: FRONT RESERVOIR POSITION
 RAISED UP 34MM ABOVE FRAME ON
 3.00M AND 3.15M WHEELBASES ONLY

AIR RESERVOIR POSITIONS
 ALL PARABOLIC STEEL SUSPENSION
 7.5 & 10-12 TONNE DRAWBAR MODELS



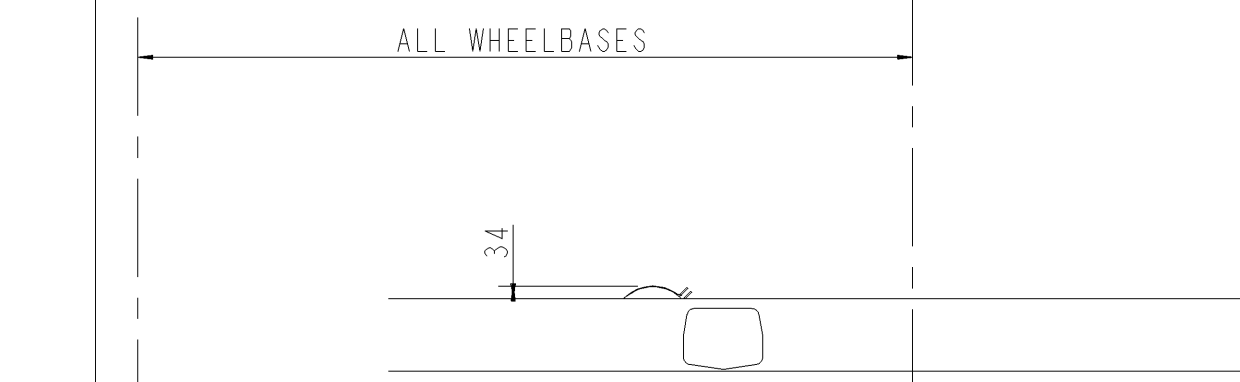
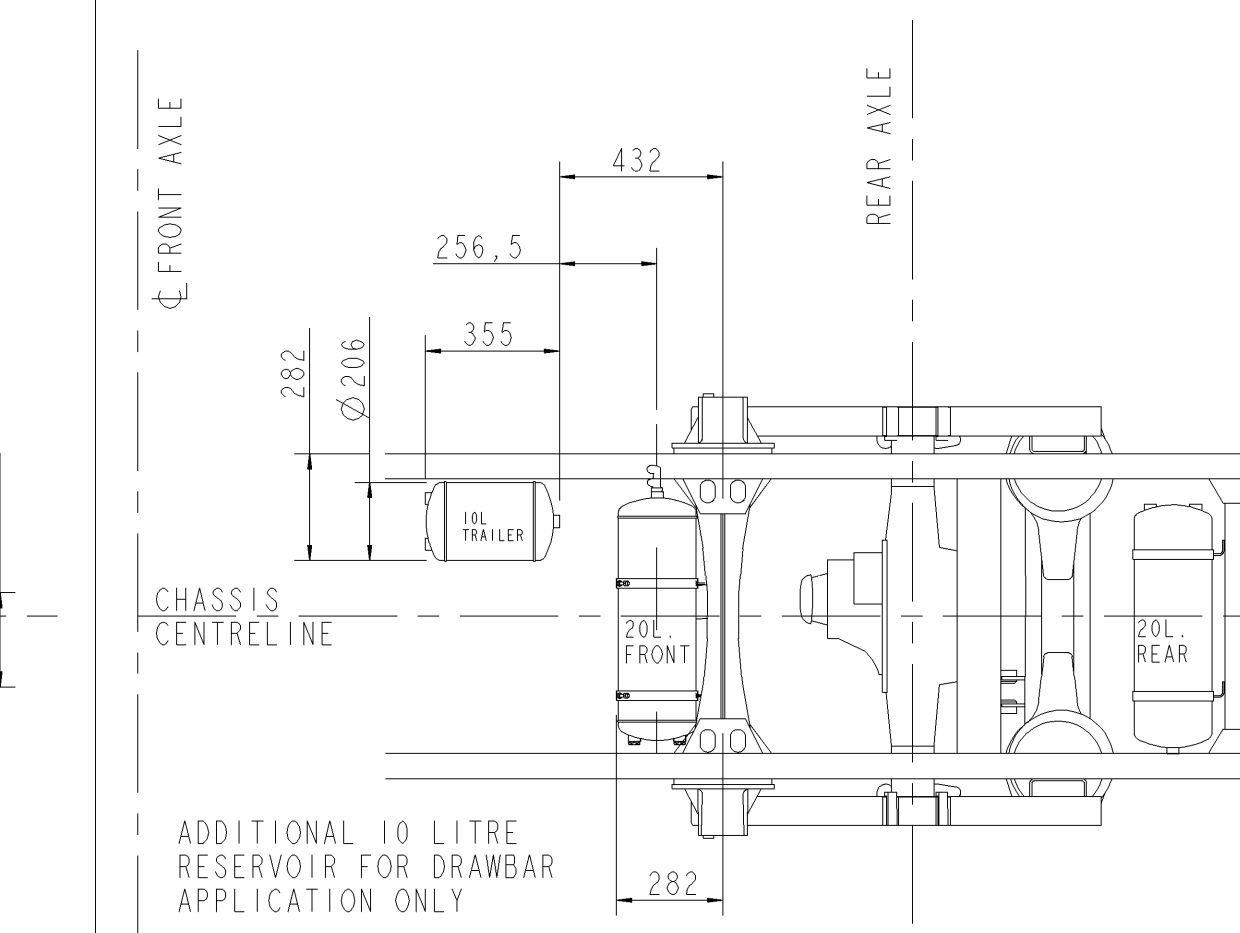
NOTE: FRONT RESERVOIR POSITION
 RAISED UP 34MM ABOVE FRAME ON
 3.00M AND 3.15M WHEELBASES ONLY

AIR RESERVOIR POSITIONS
 ALL ASYMMETRIC STEEL SUSPENSION
 7.5 & 10-12 TONNE HAULAGE MODELS



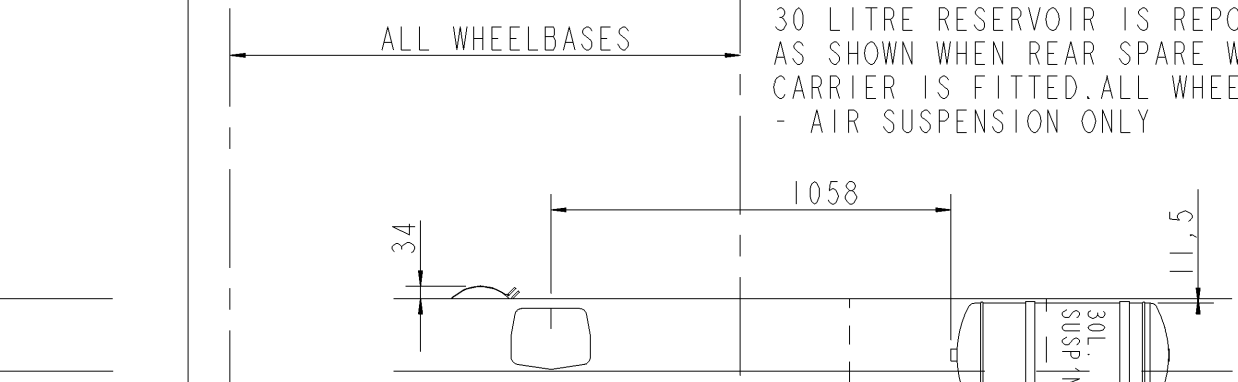
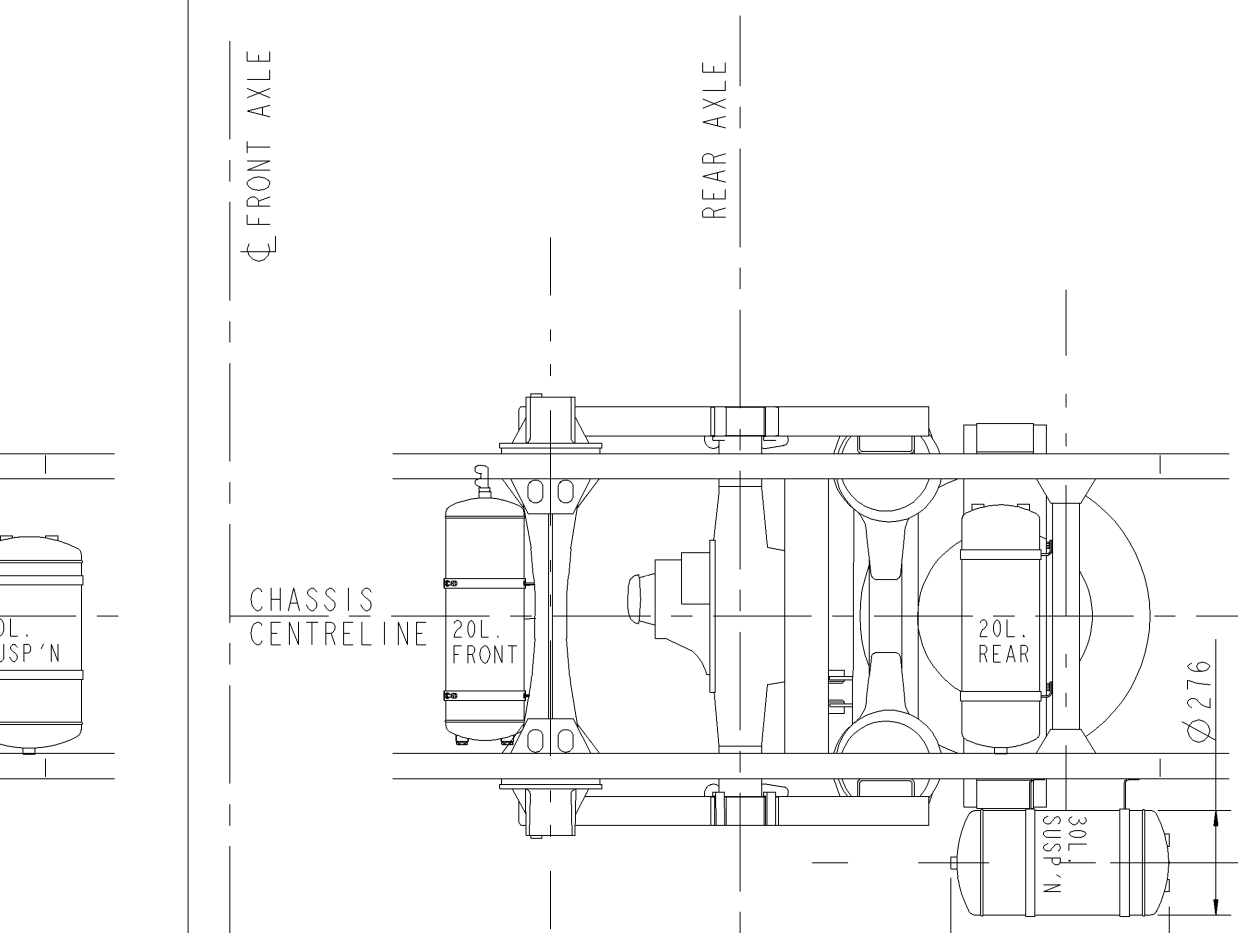
NOTE: FRONT RESERVOIR POSITION
 RAISED UP 34MM ABOVE FRAME ON
 3.00M AND 3.15M WHEELBASES ONLY

AIR RESERVOIR POSITIONS
 ALL AIR SUSPENSION
 7.5 & 10-12 TONNE HAULAGE MODELS



NOTE: FRONT RESERVOIR POSITION
 RAISED UP 34MM ABOVE FRAME ON
 3.00M AND 3.15M WHEELBASES ONLY

AIR RESERVOIR POSITIONS
 ALL AIR SUSPENSION WHEELBASES
 7.5 & 10-12 TONNE DRAWBAR MODELS



NOTE: FRONT RESERVOIR POSITION
 RAISED UP 34MM ABOVE FRAME ON
 3.00M AND 3.15M WHEELBASES ONLY

AIR RESERVOIR POSITIONS
 AIR SUSPENSION WITH REAR SPARE
 WHEEL FITTED 7.5 & 10-12 TONNE
 HAULAGE MODELS

GEEN MATEN VAN TEKENING OPMETEN.
 WIJZIGINGEN ZONDER VOORAFGAANDE KENNISGEVING VOORBEHOUDEN.
 VOOR UITVOERING VAN HET VOERTUIG RAADPLEG
 MEN DE ORDERBEVESTIGING
 VOOR AFMETINGEN VAN DE LANGSLIGGERS ZIE DETAIL:B.

DO NOT SCALE DRAWING.
 SUBJECT TO MODIFICATION WITHOUT PRIOR NOTICE.
 PLEASE SEE NOTE FOR DEFINITIVE VEHICLE LAY-OUT.
 FOR THE SECTIONAL DIMENSIONS OF THE MAIN GIRDERS, SEE DETAIL:B.

NE RIEN RELEVER DU DESSIN.
 SOUS RESERVE DE MODIFICATIONS SANS AVIS PREALABLE.
 VEUILLEZ CONSULTER LE BON DE COMMANDE
 POUR LE EQUIPEMENT DU VEHICULE CONCERNE
 EN CE QUI CONCERNE LA SECTION DES LONGERONS VOIR DETAIL:B.

KEINE ZEICHNUNGSMASSE AUFMESSEN.
 ANDERUNGEN OHNE VORANKÜNDIGUNG VORBEHALTEN.
 DIE AUSFÜHRUNG DES BETREFFENDEN FAHRZEUGS
 ENTNEHME MAN DER AUFTRAGSBESTÄTIGUNG.
 FÜR DIE SCHNITTMASSE DER LANGSTRAGER SIEHE DETAIL:B.

In Title block Euro 4 is Updated to Euro 4/5		10/03/08	MKJ	BG	5700743	A
modification description		date	drawn by	auth by	mod.no.	issue
general tolerances	tolerance principle	title				
for drawing interpretation, see DAF standard.	material	DETAIL J FA LF45 Euro 4/5 7.5-12T				
surfaces/corners	heat/surface treatment					
authorised by K. WILLIAMS	date 150906	paint specification	size SP	scale 1:30	sheet of 1	model number
drawn by D. SMETHURST	date 150906	prod.gpp.spec.	spec. indicat.	This drawing is the property of DAF - Trucks N.V. Eindhoven, The Netherlands and may not be copied in whole or in part without the prior written consent of the owner. drawing/issue number NSEA313/A		
source	replacement for	replaced by		CAD Pro/ENGINEER		