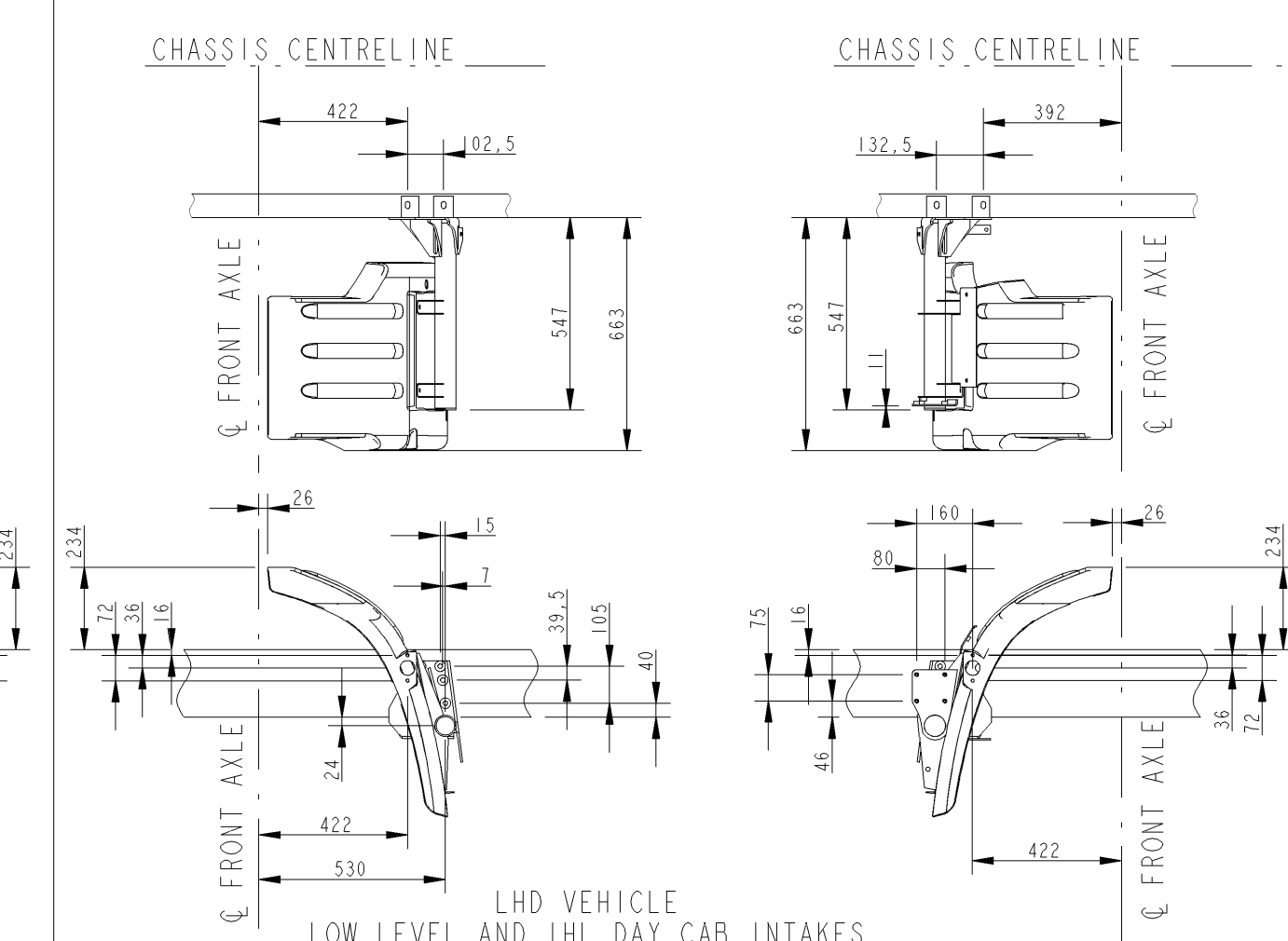
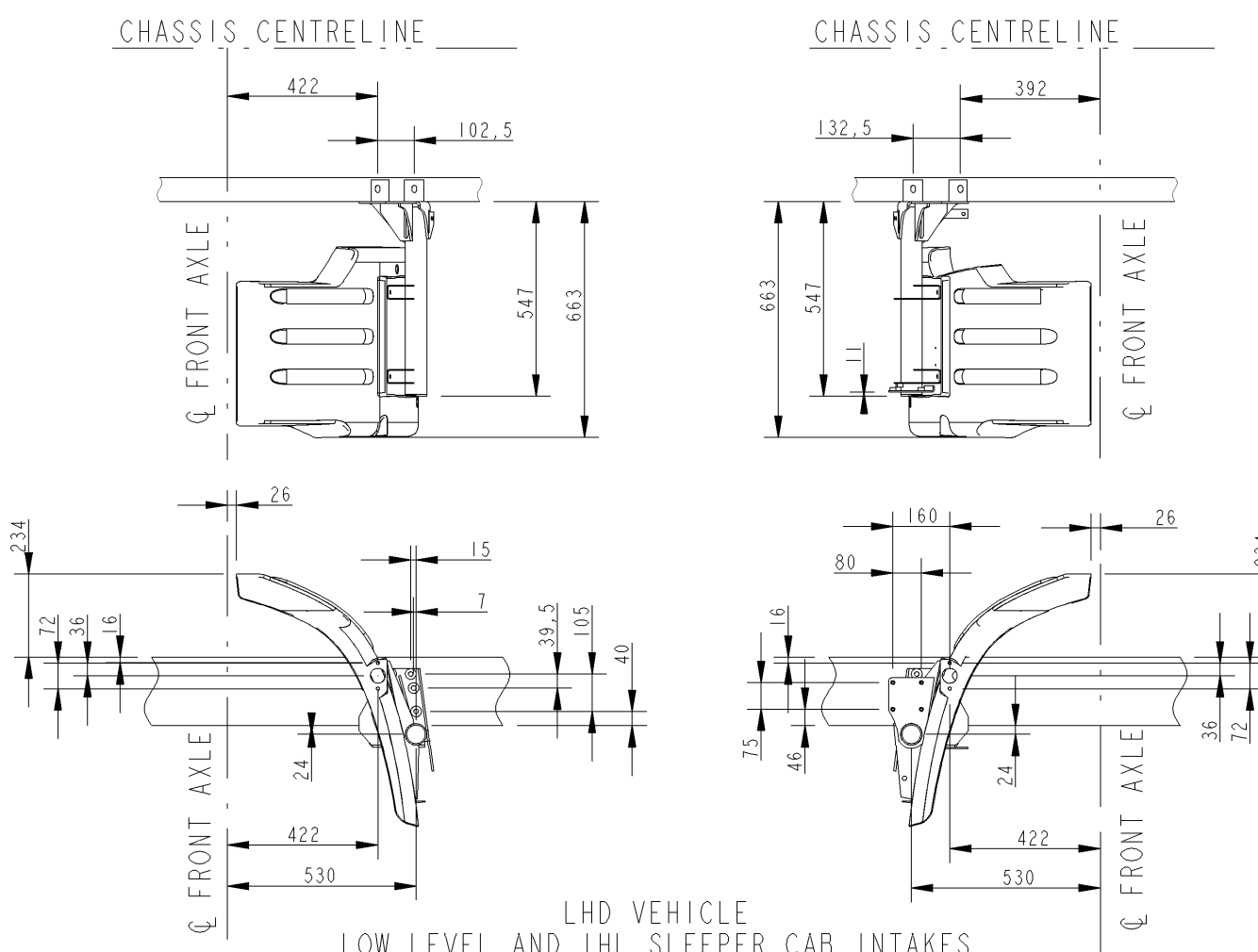
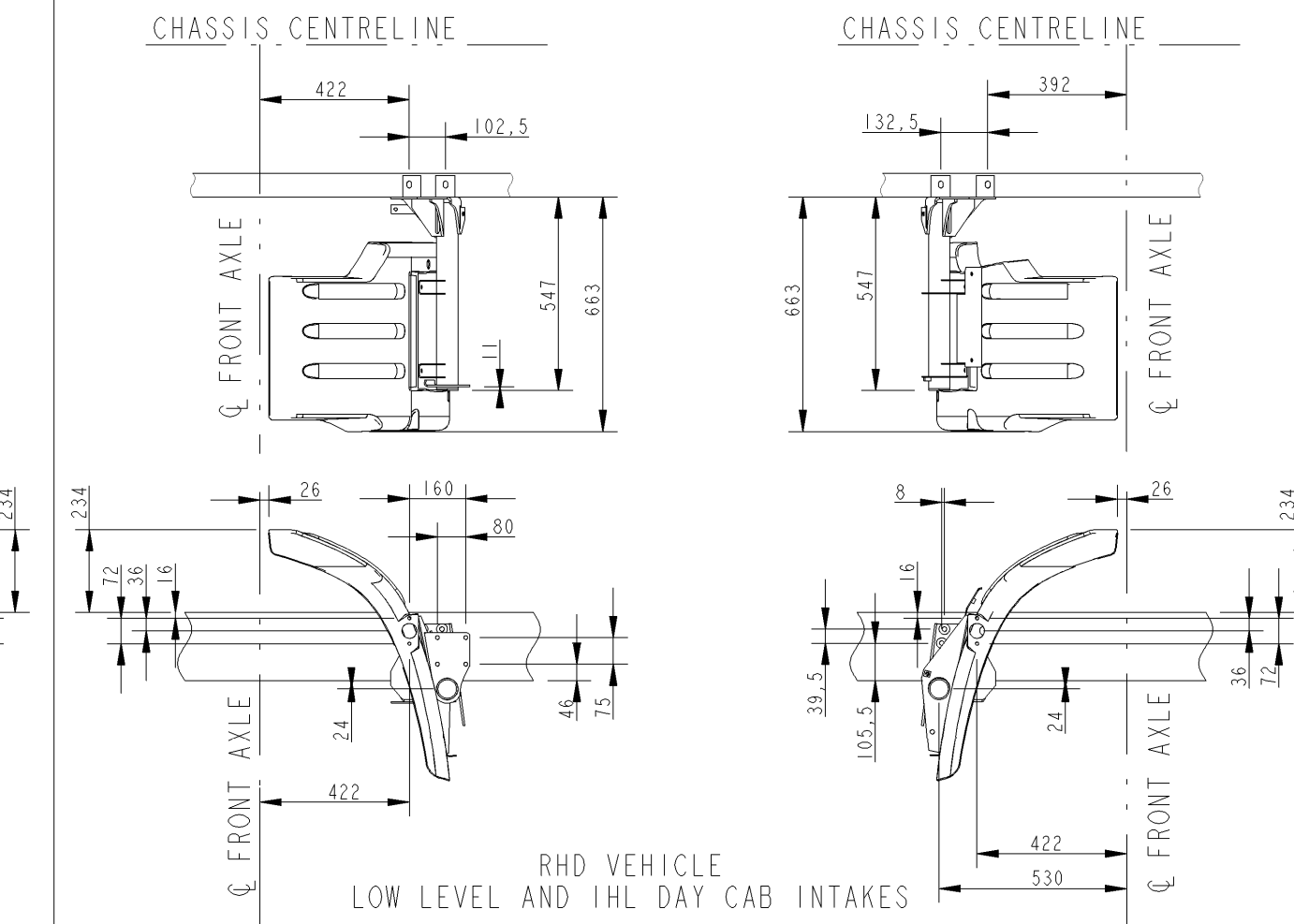
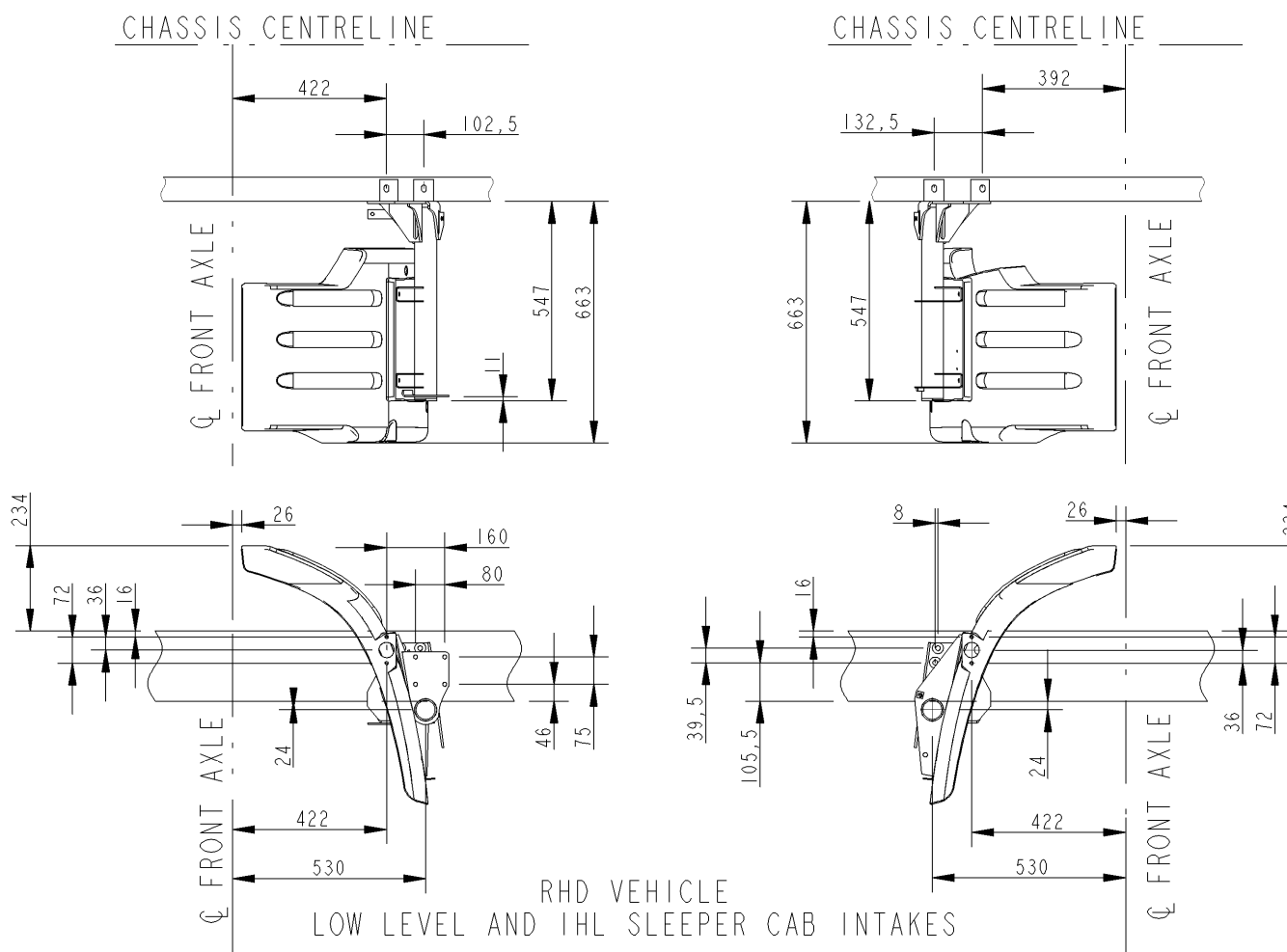
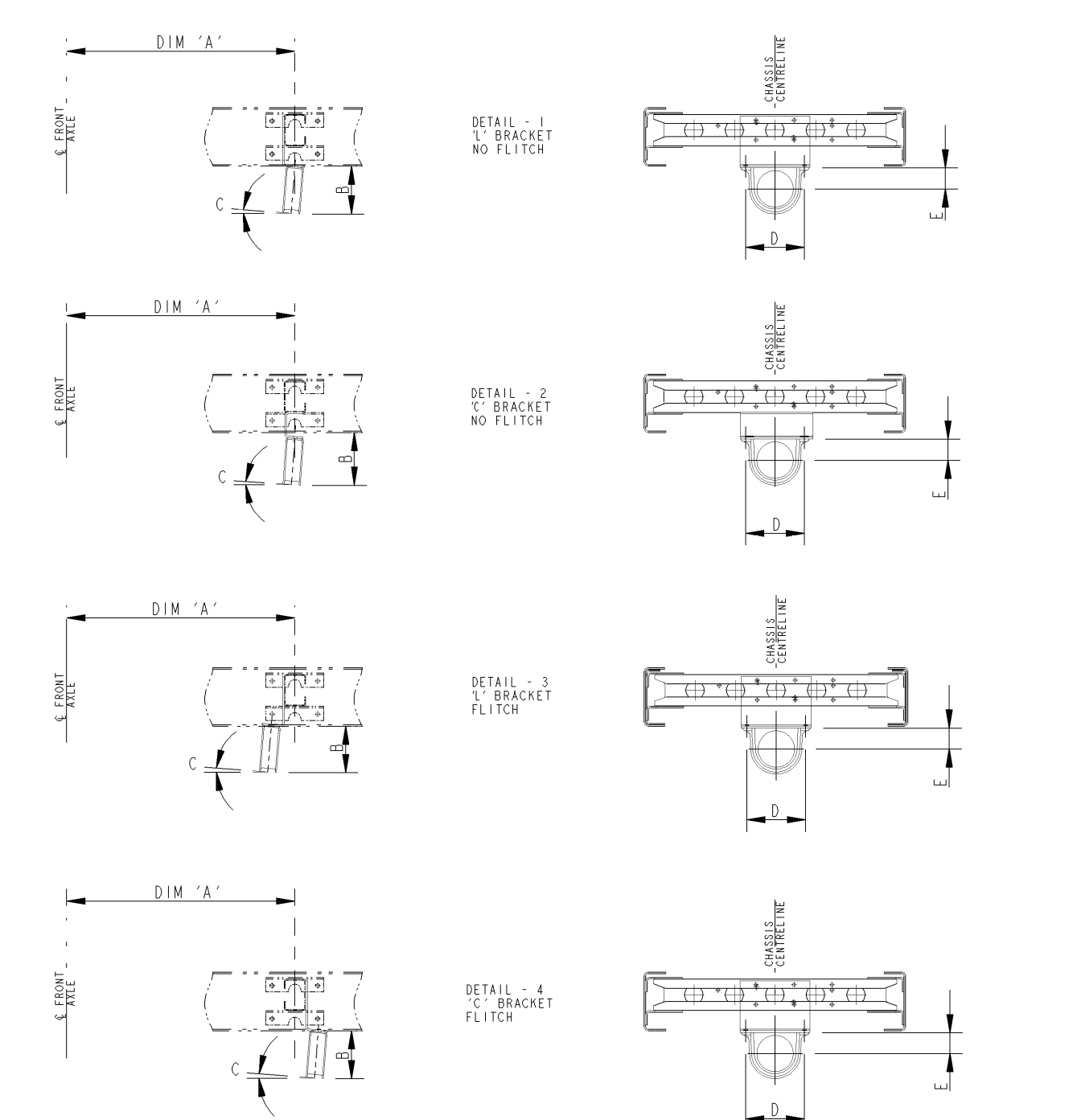


DETAIL 'F' MUDWING DETAILS



DETAIL 'D' PROP SHAFT CENTRE BEARING POSITIONS



WHEEL BASE	DIM 'A'	B		C		D		E	
		min	max	min	max	min	max	min	max
6/8 TONNE	DET-1	3,55	1934						
	DET-2	3,90	1934						
	DET-3	4,30	2294						
	DET-4	4,65	2549						
10/11 TONNE	DET-1	5,00	1934						
	DET-2	5,40	3034						
	DET-3	5,80	2284	118	211,5	2°	5°	168	193,5
	DET-4	5,40	3384						
12 TONNE	DET-1	3,55	1934						
	DET-2	3,90	1934						
	DET-3	4,30	2294						
	DET-4	4,65	2549						

GEEN MATEN VAN TEKENING OPMETEN.
WIJZIGINGEN ZONDER VOORAFGAANDE KENNISGEVING VOORBEHOUDEN.
VOOR UITVOERING VAN HET VOERTUIG RAADPLEG
MEN DE ORDERBEVESTIGING.
VOOR AFMETINGEN VAN DE LANGSLIGGERS ZIE DETAIL:B.

DO NOT SCALE DRAWING.
SUBJECT TO MODIFICATION WITHOUT PRIOR NOTICE.
PLEASE SEE NOTE FOR DEFINITIVE VEHICLE LAY-OUT.
FOR THE SECTIONAL DIMENSIONS OF THE MAIN GIRDERS, SEE DETAIL:B.

NE RIEN RELEVÉ DU DESSIN.
SOUS RÉSERVE DE MODIFICATIONS SANS AVIS PREALABLE.
VEUILLEZ CONSULTER LE BON DE COMMANDE
POUR L'ÉQUIPEMENT DU VÉHICULE CONCERNE
EN CE QUI CONCERNE LA SECTION DES LONGERONS VOIR DETAIL:B.

KEINE ZEICHNUNGSMASSE AUFMESSEN.
ÄNDERUNGEN OHNE VORANKÜNDIGUNG VORBEHALTEN.
DIE AUSFÜHRUNG DES BETREFFENDEN FÄHRZUEGS
ENTNEHME MAN DER AUFTRAGSBESTÄTIGUNG.
FÜR DIE SCHNITTMASSSE DER LANGSTRAGER SIEHE DETAIL:B.

In title block Euro 4 is updated to Euro 4/5.		10/03/08	MKJ	BG	5700743	A
modification description		date	drawn by	auth by	mod.no.	issue
general tolerances	tolerance principle	DETAILS D & F FA LF45 Euro 4/5 7.5-12T				
for drawing interpretation, see DAF standard.	material					
surfaces/corners	heat/surface treatment	size	scale	sheet	model number	
authorised by	date	paint specification	third angle projection	This drawing is the property of DAF - Trucks N.V. Eindhoven, The Netherlands and may not be copied in whole or in part without the prior written consent of the owner.		
drawn by	date	prod.gp.spec.	spec. indicat.	drawing/size number		
source	replacement for	replaced by		CAD Pro/ENGINEER		