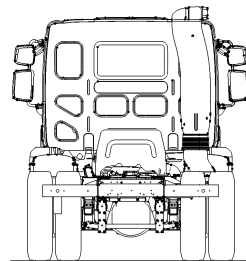
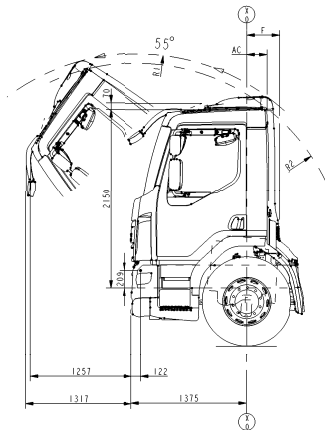
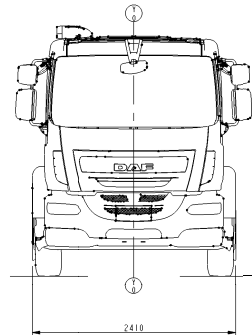


# CAB DATUMS & TILT RADII

CAB TYPE	F	AC	R1	R2
DAY-STEEL	387	230	2580	2450
SLEEPER-STEEL	687	630	2865	2715

DAY CAB SHOWN WITH COIL(STEEL) SUSPENSION



GEEN MATEN VAN TEKENING OPMETEN.  
WIJZIGINGEN ZONDER VOORAFGAANDE KENNISGEVING VOORBEHOUDEN.  
VOOR UITVOERING VAN HET VOERTUIG RAADPLEEG MEN DE ORDERBEVESTIGING.

DO NOT SCALE DRAWING.  
SUBJECT TO MODIFICATION WITHOUT PRIOR NOTICE.  
PLEASE SEE NOTE FOR DEFINITE VEHICLE EXECUTION.

NE RIEN RELEVER DU DESSIN.  
SOUS RESERVE DE MODIFICATIONS SANS AVIS PREALABLE.  
VEUILLEZ CONSULTER LE BON DE COMMANDE POUR L'EQUIPEMENT DU VEHICULE CONCERNE.

KEINE ZEICHNUNGSMASSE AUFMESSEN.  
ÄNDERUNGEN OHNE VORANKÜNDIGUNG VORBEHALTEN.  
DIE AUSFÜHRUNG DES BETREFFENDEN FARBZEUGS ENTNEHME MAN DER AUFTRAGSBESTÄTIGUNG.

modification description	date	drawn by	auth by	mod no.	issue
general tolerances	tolerance principle	title			
for drawing interpretation, see DM standard:	material	CAB DETAIL FA LF EURO 5 (NON EU) 18-19T			
surfaces/turners	heat/surface treatment	size	scale	sheet	model number
authorised by	date	paint specification	This drawing is the property of DAF - Tractors N.V. Eindhoven, The Netherlands and may not be copied in whole or in part without the prior written consent of the owner.		
drawn by	date	gran. grp. spec.	spec. indicat.	drawing/revision number	
source	replacement for	replaced by		CAD Pro/ENGINEER	