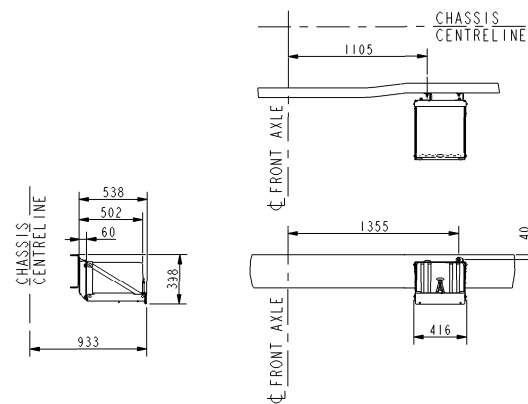
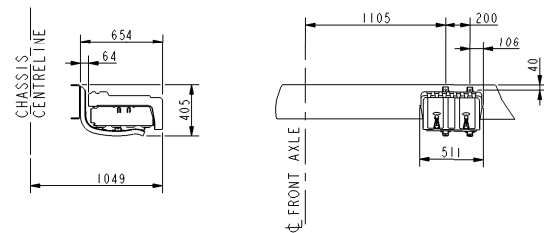


DETAILS 'H' BATTERIES AND CARRIER



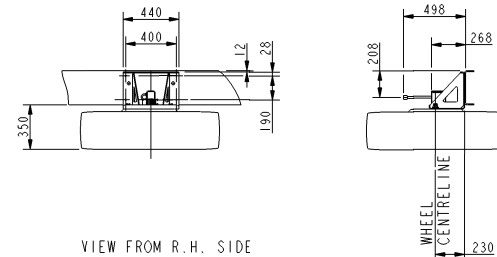
125 AH BATTERIES AND CARRIER



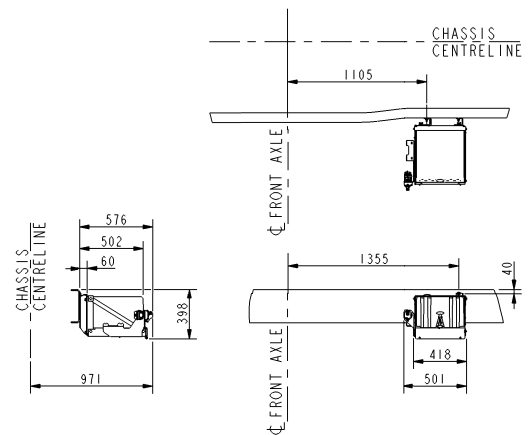
175 AH BATTERIES AND CARRIER

DETAILS 'K'

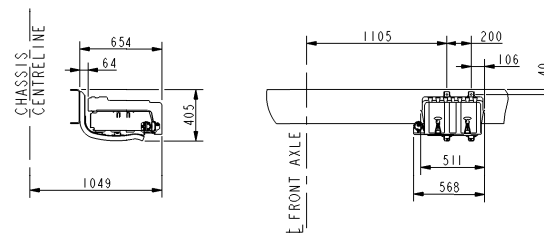
SPARE WHEEL CARRIER



VIEW FROM R.H. SIDE

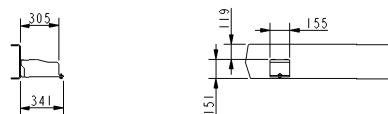


125 AH BATTERIES AND CARRIER WITH ISOLATOR SWITCH



175 AH BATTERIES AND CARRIER WITH ISOLATOR SWITCH

HYDRAULIC JACK



VIEW FROM R.H. SIDE

GEEN MATEN VAN TEKENING OPMETEN.  
WIJZIGINGEN ZONDER VOORAFGAANDE KENNISGEVING VOORBEHOUDEN.  
VOOR UITVOERING VAN HET VOERTUIG RAADPLEG MEN DE ORDERBEVESTIGING.

DO NOT SCALE DRAWING.  
SUBJECT TO MODIFICATION WITHOUT PRIOR NOTICE.  
PLEASE SEE NOTE FOR DEFINITE VEHICLE EXECUTION.

NE RIEN RELEVANT DU DESSIN.  
SOUS RESERVE DE MODIFICATIONS SANS AVIS PREALABLE.  
VEUILLEZ CONSULTER LE BON DE COMMANDE POUR L'EQUIPEMENT DU VEHICULE CONCERNE.

KEINE ZEICHNUNGSMASSE AUFMESSEN.  
ÄNDERUNGEN OHNE VORANKÜNDIGUNG VORBEHALTEN.  
DIE AUSFÜHRUNG DES BETREFFENDEN FÄHRZEUGS ENTNEHME MAN DER AUFTRAGSBESTÄTIGUNG.

modification description		date	drawn by	auth by	mod.no.	issue
general tolerances		tolerance principle		title		
for drawing interpretation, see DAF standard:		material		<p align="center"><b>DETAILS - H &amp; K</b> <b>FA LF EURO 5 (NON EU) 18-19T</b></p>		
surfaces/corners		heat/surface treatment		size	scale	sheet
authorized by <b>K. WILLIAMS</b>		date 051114		sheet specification third angle projection		model number 1 of 1
drawn by <b>C. ROBINSON</b>		date 051114		prod.grp.spec.		spec. indicat. drawing/issue number <b>NSEA876/00</b>
source		replacement for		replaced by		
				CAD Pro/ENGINEER		