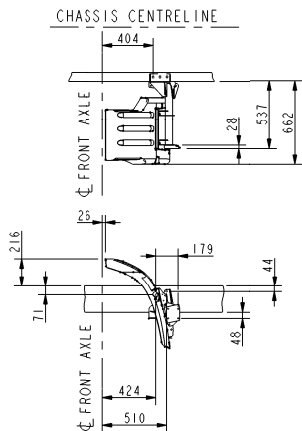
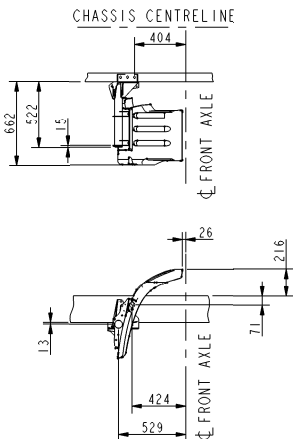


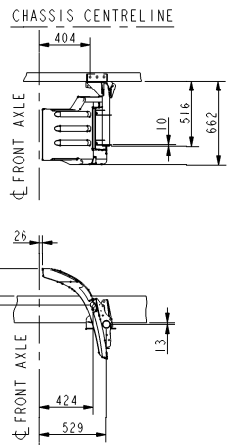
DETAIL 'F' MUDWING DETAILS



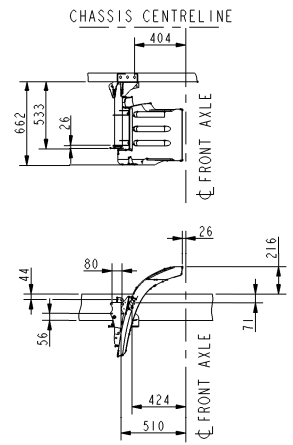
RHD VEHICLE



DETAIL 'D' PROP SHAFT DATA TO FOLLOW.



LHD VEHICLE



GEEN MATEN VAN TEKENING OPMETEN.
WIJIGINGEN ZONDER VOORAFGAANDE KENNISGEVING VOORBEHOUDEN.
VOOR UITVOERING VAN HET VOERTUIG RAADPLEEG
MEN DE ORDERBEVESTIGING.
VOOR AFMETINGEN VAN DE LANGSLIGGERS ZIE DETAIL:B.

DO NOT SCALE DRAWING.
SUBJECT TO MODIFICATION WITHOUT PRIOR NOTICE.
PLEASE SEE NOTE FOR DEFINITIVE VEHICLE LAY-OUT.
FOR THE SECTIONAL DIMENSIONS OF THE MAIN GIRDERS, SEE DETAIL:B.

NE RIEN RELEVIER DU DESSIN.
SOUS RESERVE DE MODIFICATIONS SANS AVIS PREALABLE.
VEUILLEZ CONSULTER LE BON DE COMMANDE
POUR LE EQUIPEMENT DU VEHICULE CONCERNE
EN CE QUI CONCERNE LA SECTION DES LONGERONS VOIR DETAIL:B.

KEINE ZEICHNUNGSMASSE AUFMESSEN.
ANDERUNGEN OHNE VORANKUNDIGUNG VORBEHALTEN.
DIE AUSFUHRUNG DES BETREFFENDEN FAHRZEUGS
ENTNEHME MAN DER AUFTRAGSBESTATIGUNG.
FUR DIE SCHNITTMASSE DER LANGSTRAGER SIEHE DETAIL:B.

modification description		date	drawn by	auth by	mod.no.	issue
general tolerances		tolerance principle		title		
for drawing interpretation, see DAF standard:		material		DETAILS D & F FA LF EURO 5 (NON EU) 7.5-12T		
surfaces/corneres		heat/surface treatment		size	scale	sheet
authorized by K. WILLIAMS		date 051114		third angle projection 		model number 1 of 1
drawn by C. ROBINSON		date 071114		prod.grp.spec.		spec. indicat.
source		replacement for		drawing/issue number		replaced by
				NSEA855/00		CAD Pro/ENGINEER