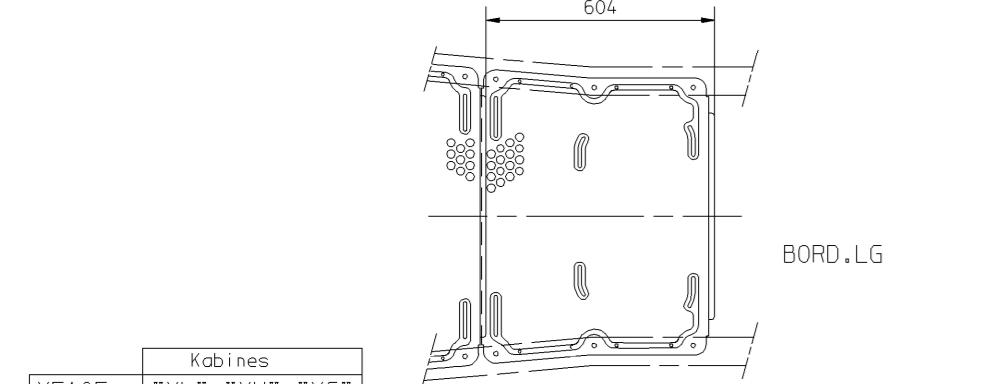


	A
FT CF75	788
FTT CF85	864

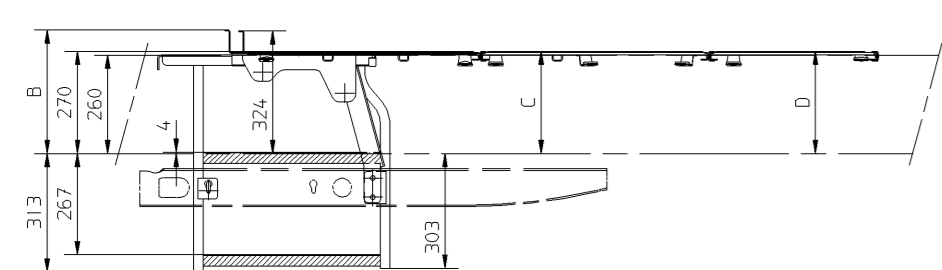
Getekende situatie FT CF75.  
Drawing represents FT CF75.



Kabines	
XF105	"XL"- "XH"- "XC"
CF75/85	"SL"- "SH"

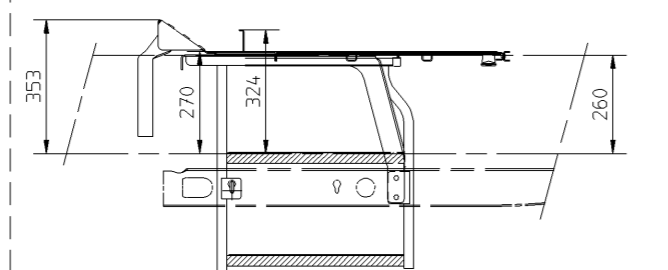
Kabine	
CF75/85	"D"

Getekende situatie FTT XF105.  
Drawing represents FTT XF105.



	A	B	C	D
FT CF75	788	353	270	270
FTT CF85	864	---	---	---
FTT XF105	---	327	---	---

DETAIL: U FT CF75-FTT CF85/XF105



Voor ovige maten, zie FT-FTS/R-FTP  
For another dimensions, see FT-FTS/R-FTP

FT CF75-FTT CF85

GEEN MATEN VAN TEKENING OPMETEN.  
WIJZIGINGEN ZONDER VOORAFGAANDE KENNISGEVING VOORBEHOUDEN.  
VOOR UITVOERING VAN HET VOERTUIG RAADPLEGE  
MEN DE ORDERBEVESTIGING.  
VOOR AFMETINGEN VAN DE LANGSLIGGERS ZIE DETAIL:B.

DO NOT SCALE DRAWING.  
SUBJECT TO MODIFICATION WITHOUT PRIOR NOTICE.  
PLEASE SEE NOTE FOR DEFINITE VEHICLE LAY-OUT.  
FOR THE SECTIONAL DIMENSIONS OF THE MAIN GIRDERS,  
SEE DETAIL:B.

NE RIEN RELEVER DU DESSIN.  
SOUS RESERVE DE MODIFICATIONS SANS AVIS PREALABLE.  
VEUILLEZ CONSULTER LE BON DE COMMANDE  
POUR L EQUIPEMENT DU VEHICULE CONCERNE.  
EN CE QUI CONCERNE LA SECTION DES LONGERONS VOIR DETAIL:B.

KEINE ZEICHNUNGSMASSE AUFMESSEN.  
ANDERUNGEN OHNE VORANKUNDIGUNG VORBEHALTEN.  
DIE AUSFUHRUNG DES BETREFFENDEN FAHRZUEGS  
ENTNEHME MAN DER AUFTRAGSBESTATIGUNG.  
FUR DIE SCHNITTMASSE DER LANGSTRAGER SIEHE DETAIL:B.

"D" = DAGKABINE DAY KAB CABINE COURTE NORMALFAHRERHAUS  
"SL" = SLAAPKABINE SLEEPER KAB CABINE PROFONDE FERNFAHRERHAUS  
"SH" = SLAAPHOOGKABINE HIGH-ROOF SLEEPER KAB CABINE PROFONDE SURELEVEE GROEBRAUMFERNFAHRERHAUS

Q V-AS = Q-VOORAS -FRONT AXLE -ESSIEU AVANT -VORDERACHSE  
Q A-AS = Q-ACHERAS -REAR AXLE -ESSIEU ARRIERE -HINTERACHSE  
Q TANDEM = Q-TANDEM -TANDEM -TANDEM -TANDEM

1) = BLADVERING - VOOR + ACHTER LEAF SUSPENSION - FRONT + REAR  
SUSPENSION A LAMES - AVANT + ARRIERE BLATTFEDERUNG - VORN + HINTEN  
Q SLEEPAS = Q-SLEEPAS -TRAILLING AXLE -ESSIEU FOU -NACHLAUFACHSE

2) = BLADVERING - VOOR + LUCHTVERING -ACHTER LEAF SUSPENSION - FRONT + AIR SUSPENSION - REAR  
SUSPENSION A LAMES - AVANT + SUSPENSION PNEUMATIQUE -ARRIERE BLATTFEDERUNG - VORN + LUFTFEDERUNG - HINTER

3) = LUCHTVERING - VOOR + ACHTER AIR SUSPENSION - FRONT + REAR  
SUSPENSION PNEUMATIQUE - AVANT + ARRIERE LUFTFEDERUNG - VORN + HINTEN  
Q-KAB = Q-KABINE -KAB -CABINE -FAHRERHAUS

# DETAILS U

modification description		date		drawn by		auth. by		mod.no.		issue	
general tolerances		tolerance principle		title		material		size		scale	
for drawing interpretation, see DAF standards				DETAILS U				SP		1:20	
surfaces/corners		heat/surface treatment		sheet		model number		1 of 1			
		/									
authorised by		date		paint specification		third angle projection		This drawing is the property of DAF-Trucks N.V. Eindhoven, the Netherlands and may not be copied in whole or in part without the prior written consent of the owner.			
R. Bosmans		061216								drawing/issue number	
										1743799/00	
source		replacement for		replaced by						CAD Unigraphics II	