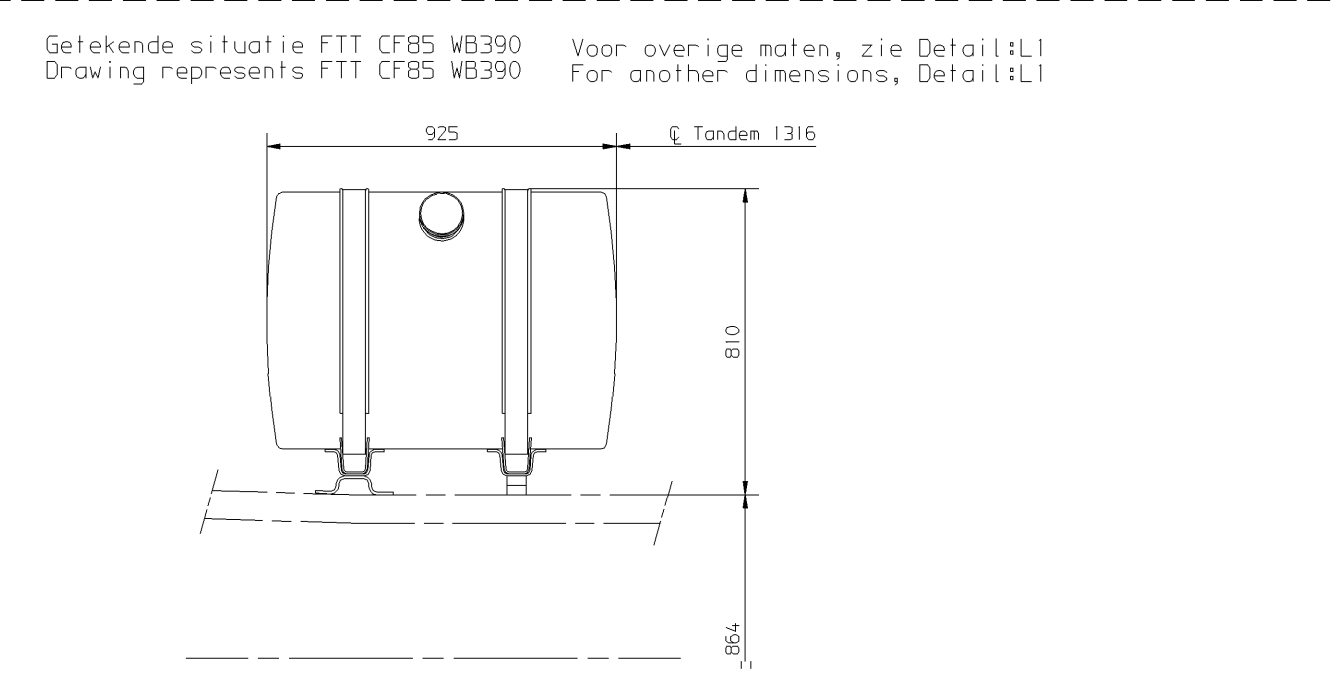
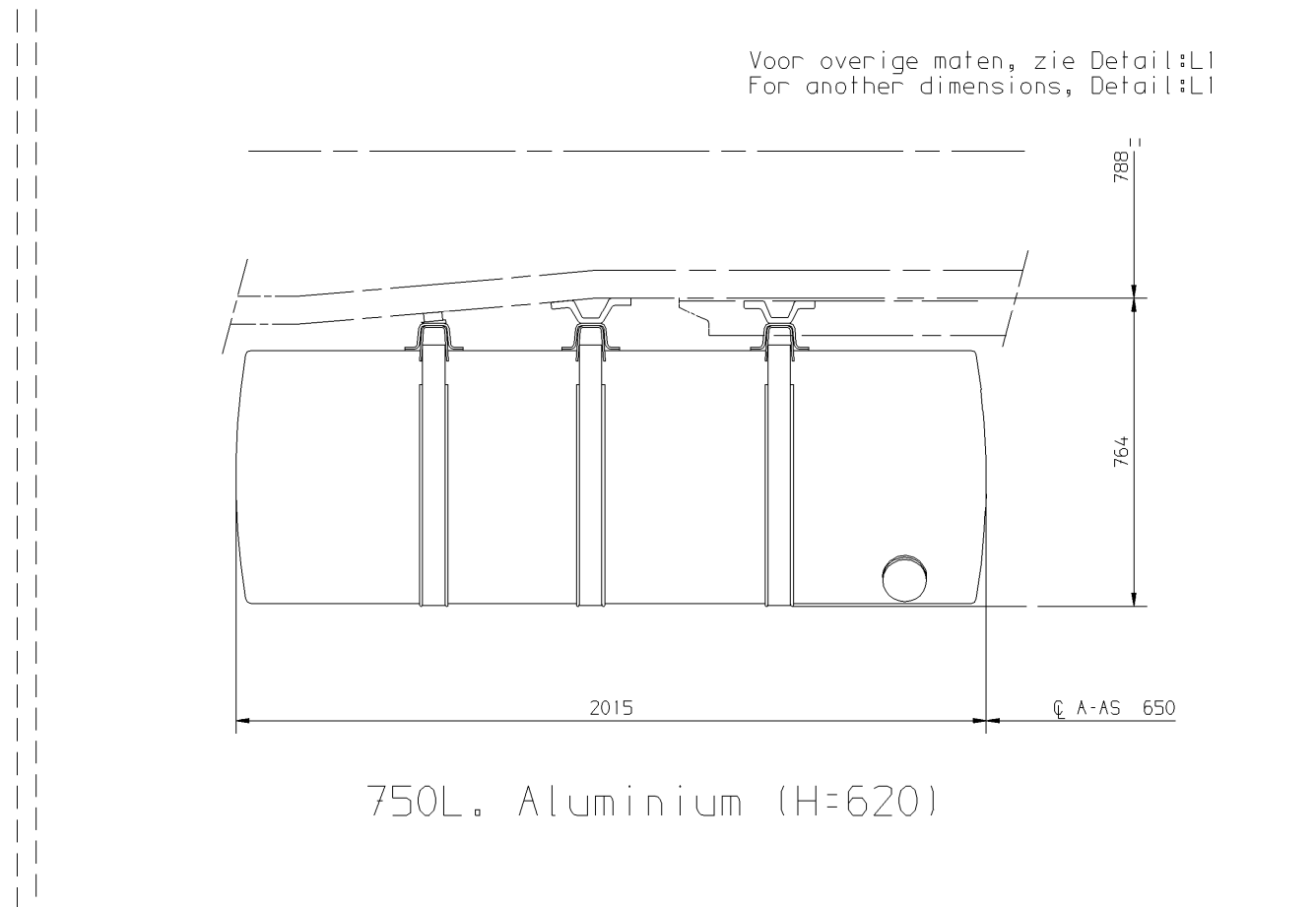


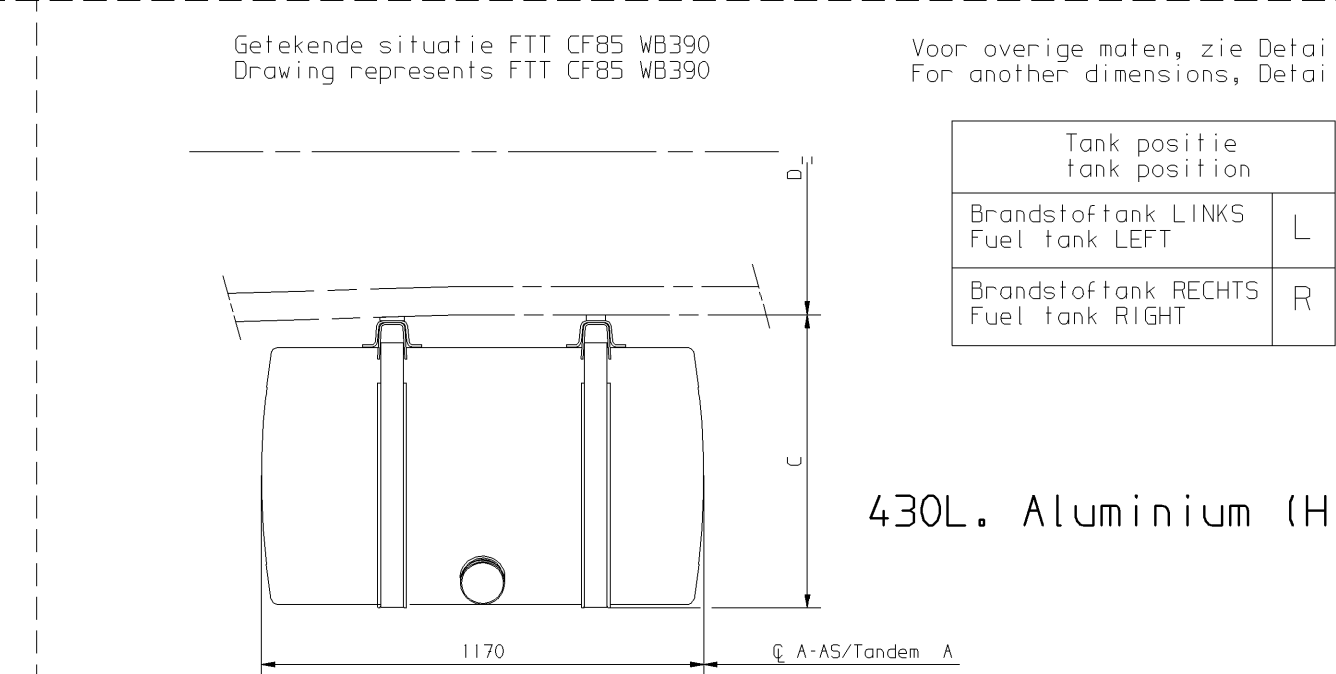
DETAIL: L1
Voor overige maten, zie detail:L.
For other dimensions, see detail:L.



340L. Aluminium (H=620)
DETAIL: L FTT CF85 WB390 Austr./NZ

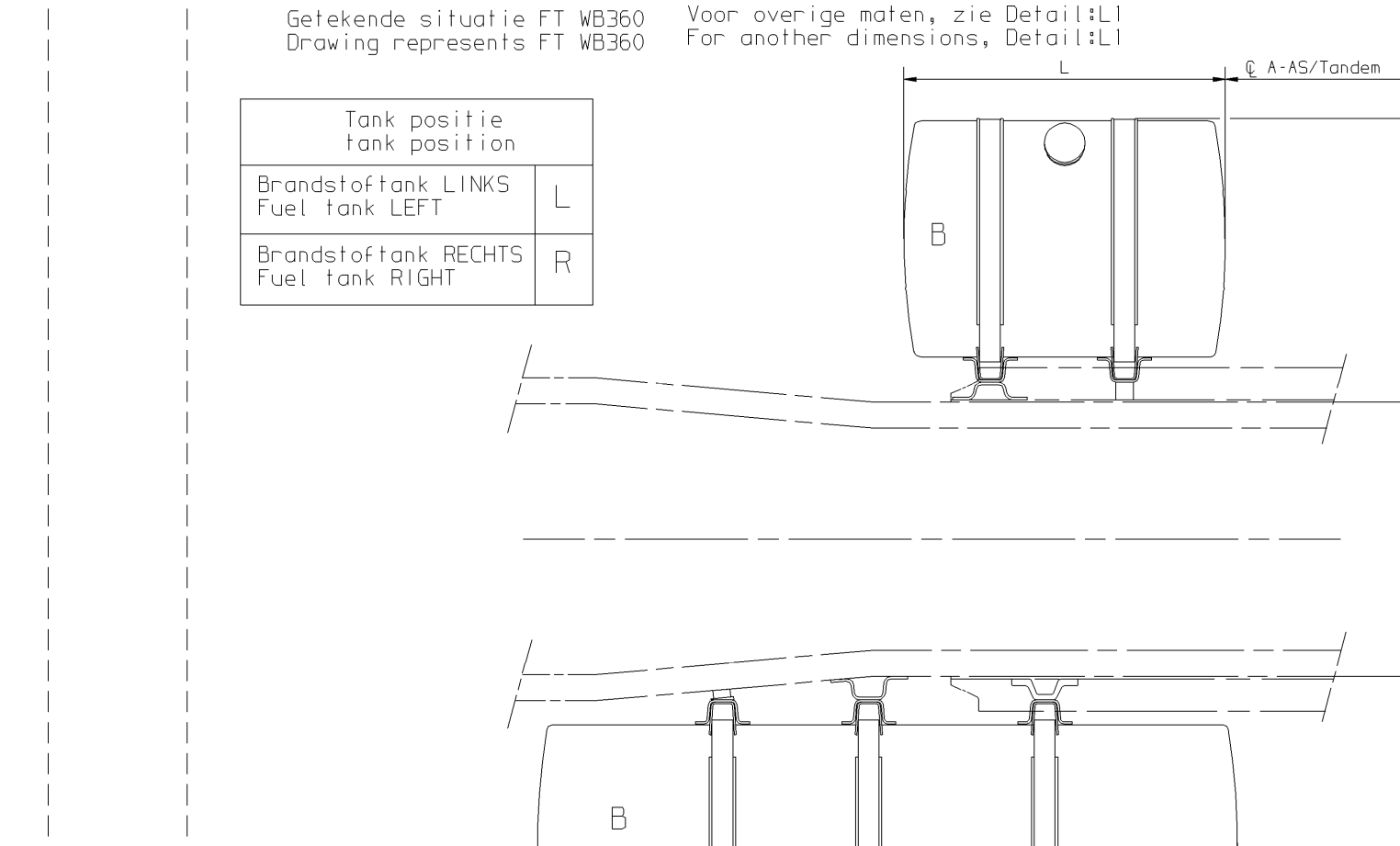


750L. Aluminium (H=620)
FT CF 2)

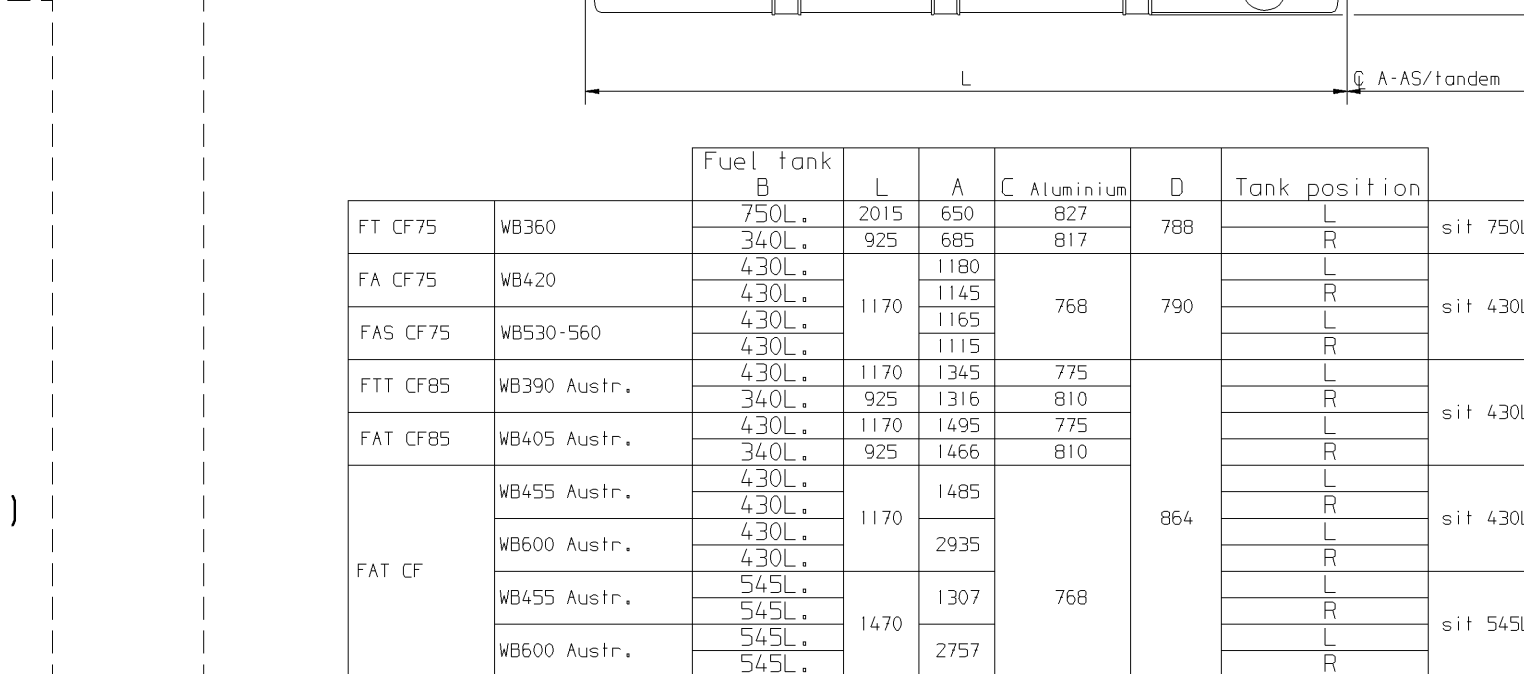


430L. Aluminium (H=620)
FTT CF85 WB390-FAT CF-FAD CF/XF

A	C Aluminium	D	Tank position
FTT CF85 WB390	1345	775	L
FTT CF/XF WB430 NZ	1470	810	R
FAT CF85 WB405 Austr.	1495	775	L
FAT CF WB455	1420		L
FAT CF WB600	2870		L
FAD CF/XF 2) WB570	1325		862
FAD CF85 1) WB600	1625	768	788
FAD CF85 1) WB600	1625		862
FAD CF85 1) WB600	1625		788
FAD CF/XF 2) WB640	2025		862



430/545/750L. + 340430/545L. Aluminium (620H)
FT CF 2) - FA CF75 2)-FAS CF75 2)-FTT CF85 WB390 2)-FAT CF Austr.-FAD CF85 WB640 2)



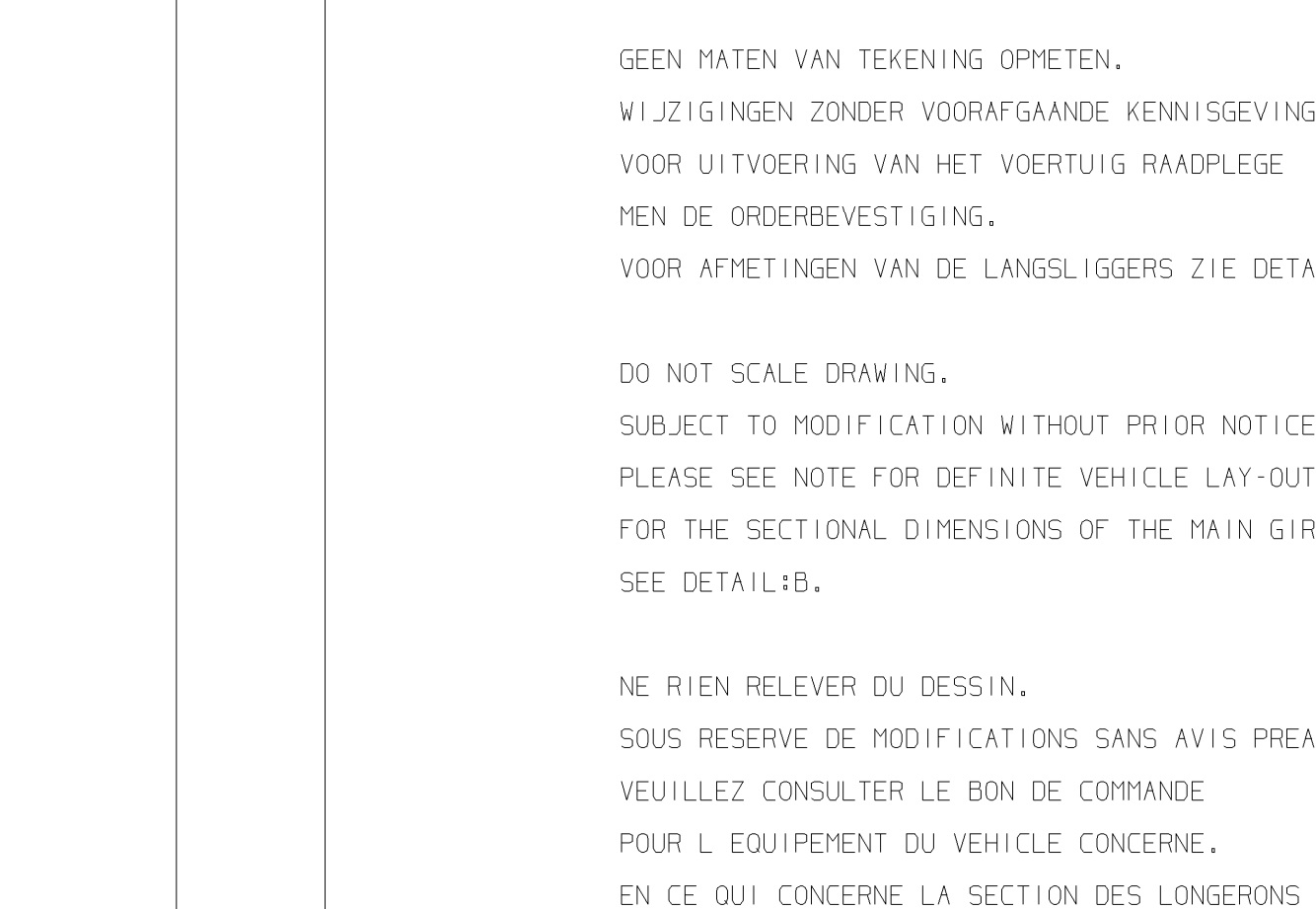
430/545/750L. + 340430/545L. Aluminium (620H)
DETAIL: L



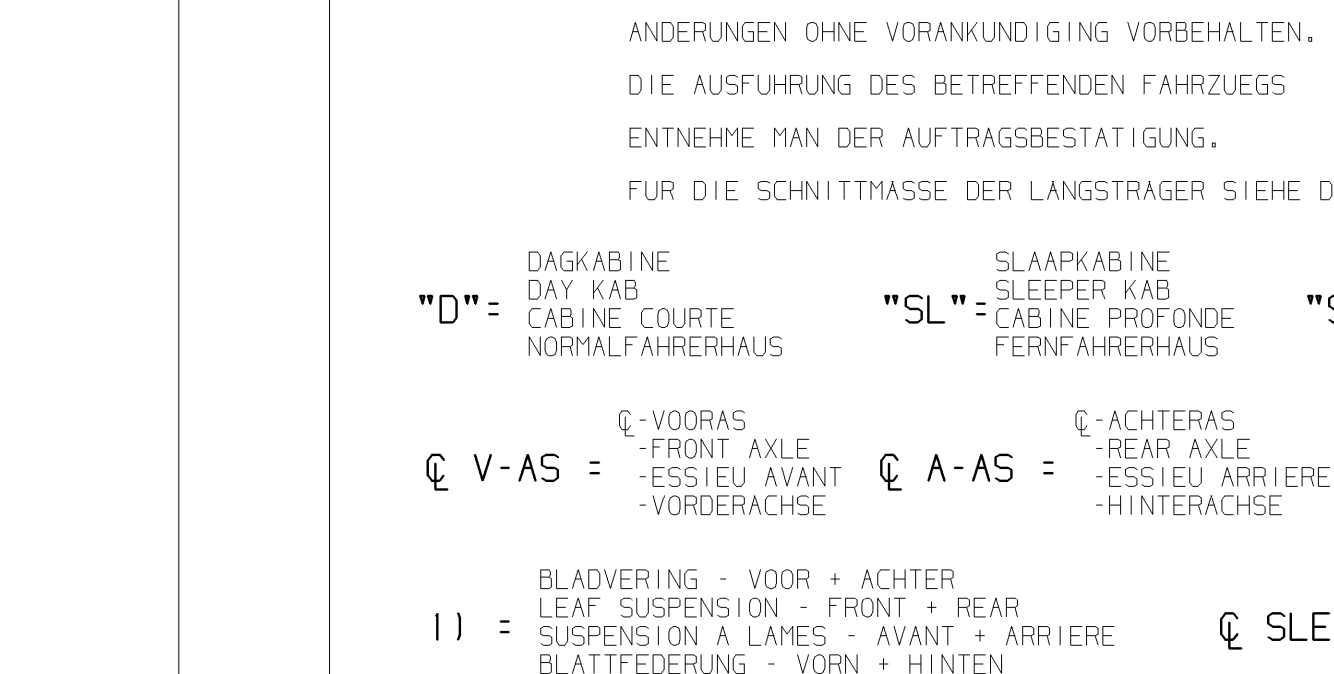
430/545/750L. + 340430/545L. Aluminium (620H)
DETAIL: L



430/545/750L. + 340430/545L. Aluminium (620H)
DETAIL: L



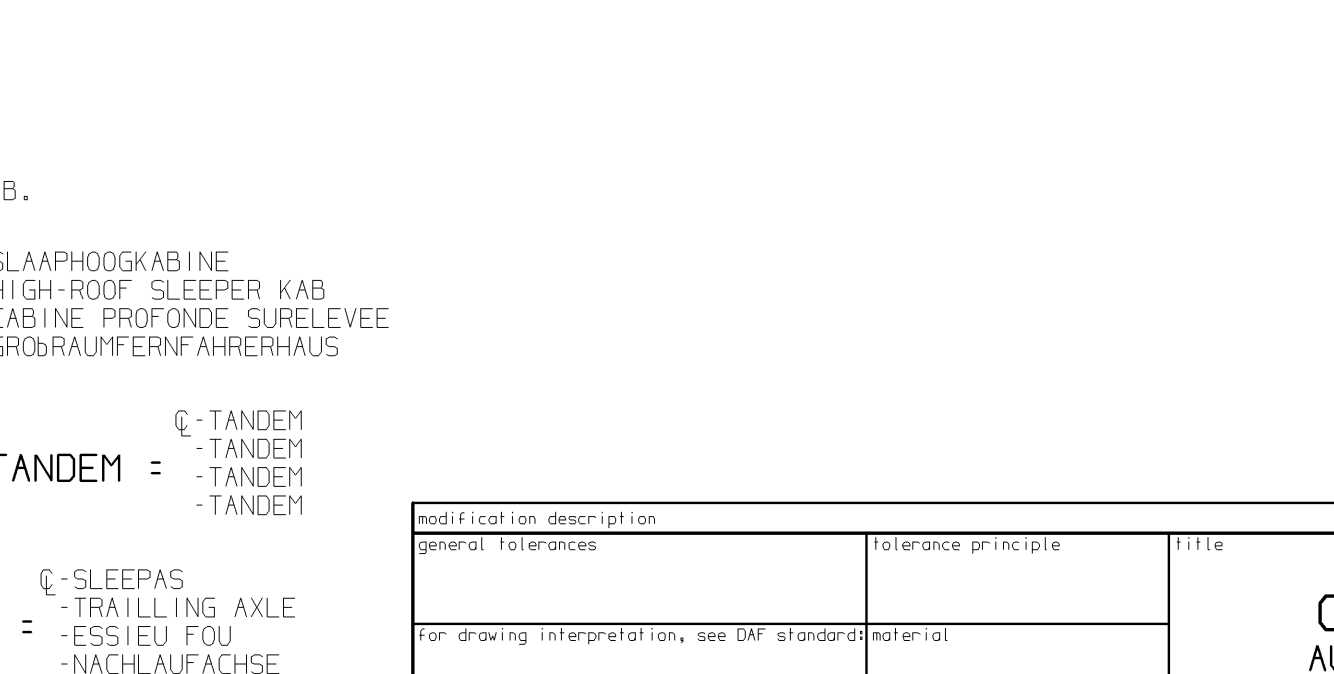
430/545/750L. + 340430/545L. Aluminium (620H)
DETAIL: L



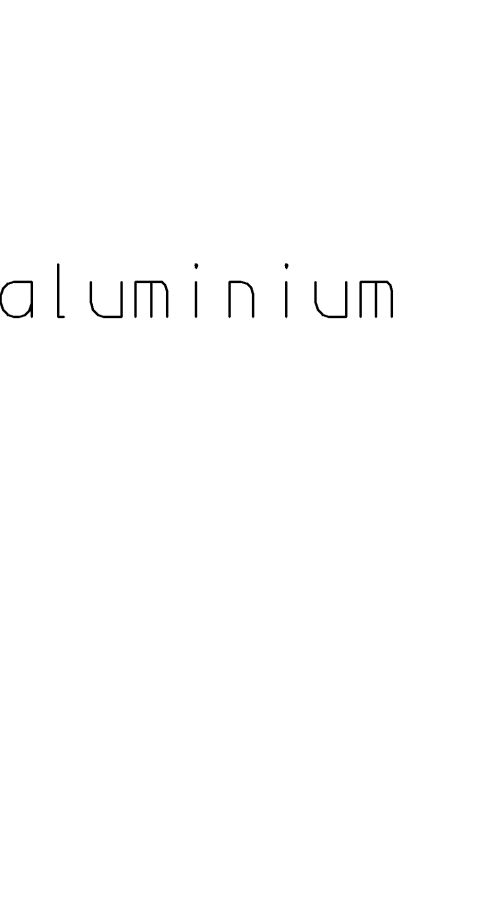
430/545/750L. + 340430/545L. Aluminium (620H)
DETAIL: L



430/545/750L. + 340430/545L. Aluminium (620H)
DETAIL: L



430/545/750L. + 340430/545L. Aluminium (620H)
DETAIL: L



430/545/750L. + 340430/545L. Aluminium (620H)
DETAIL: L



430/545/750L. + 340430/545L. Aluminium (620H)
DETAIL: L

GEEN MATEN VAN TEKENING OPMETEN.
WIJZIGINGEN ZONDER VOORAFGAANDE KENNISGEVING VOORBEHOUDEN.
VOOR UITVOERING VAN HET VOERTUIG RAADPLEEG
MEN DE ORDERBEVESTIGING.
VOOR AFMETINGEN VAN DE LANGSLIGGERS ZIE DETAIL:B.

DO NOT SCALE DRAWING.
SUBJECT TO MODIFICATION WITHOUT PRIOR NOTICE.
PLEASE SEE NOTE FOR DEFINITE VEHICLE LAY-OUT.
FOR THE SECTIONAL DIMENSIONS OF THE MAIN GIRDERS,
SEE DETAIL:B.

NE RIEN RELEVER DU DESSIN.
SOUS RESERVE DE MODIFICATIONS SANS AVIS PREALABLE.
VEUILLEZ CONSULTER LE BON DE COMMANDE
POUR L EQUIPEMENT DU VEHICULE CONCERNE.
EN CE QUI CONCERNE LA SECTION DES LONGERONS VOIR DETAIL:B.

KEINE ZEICHNUNGSMASSE AUFMESSEN.
ANDERUNGEN OHNE VORANKUNDIGUNG VORBEHALTEN.
DIE AUSFUHRUNG DES BETREFFENDEN FAHRZUEGS
ENTNEHME MAN DER AUFTRAGSBESTATIGUNG.
FUR DIE SCHNITTMASSE DER LANGSTRAGER SIEHE DETAIL:B.

"D" = DAGKABINE
DAY KAB
CABINE COURTE
NORMALFAHRERHAUS

"SL" = SLAAPKABINE
SLEEPER KAB
CABINE PROFONDE
FERNFAHRERHAUS

"SH" = SLAAPHOOGKABINE
HIGH-ROOF SLEEPER KAB
CABINE PROFONDE SURELEVÉE
GROßRAUMFERNFAHRERHAUS

€ V-AS = €-VOORAS
-FRONT AXLE
-ESSIEU AVANT
-VORDERACHSE

€ A-AS = €-ACHTERAS
-REAR AXLE
-ESSIEU ARRIERE
-HINTERACHSE

€ TANDEM = €-TANDEM
-TANDEM
-TANDEM

1) = BLADVERING - VOOR + ACHTER
LEAF SUSPENSION - FRONT + REAR
SUSPENSION A LAMES - AVANT + ARRIERE
BLATTFEDERUNG - VORN + HINTEN

€ SLEEPAS = €-SLEEPAS
-TRAILLING AXLE
-ESSIEU FOU
-NACHLAUFACHSE

2) = BLADVERING - VOOR + LUCHTVERING - ACHTER
LEAF SUSPENSION - FRONT + AIR SUSPENSION - REAR
SUSPENSION A LAMES - AVANT + SUSPENSION PNEUMATIQUE - ARRIERE
BLATTFEDERUNG - VORN + LUFTFEDERUNG - HINTER

3) = LUCHTVERING - VOOR + ACHTER
AIR SUSPENSION - FRONT + REAR
SUSPENSION PNEUMATIQUE - AVANT + ARRIERE
LUFTFEDERUNG - VORN + HINTEN

€-KAB = €-KABINE
-KAB
-FAHRERHAUS

DETAIL L
Fuel tanks H=620 aluminium

modification description	date	drawn by	auth. by	mod.no.	issue
general tolerances					
for drawing interpretation, see DAF standards					
surfaces/corners	heat/surface treatment	size	scale	sheet	model number
authorised by	date	part specification	third angle projection	This drawing is the property of DAF-Trucks N.V., Eindhoven, the Netherlands and may not be copied in whole or in part without the prior written consent of the owner.	
drawn by	date	prod.grp spec. spec. indicat.		drawing/issue number	
source	replacement for	replaced by			

DETAILS L
CF75/85 + XF105
AUSTRALIE - NEW ZEALAND
Proj. 10686

SP 1:20 1 of 1

R. Bosmans 061216

1743796/00

DAF

CAD Unigraphics II